

Powerful. Beautiful.

Excellence · Innovation

IDD21190-R2

IDD22190-R2

IDD24190-R2



Shanghai Panelmate Electronics Co., Ltd.

19" SXGA Industrial Monitor(with KVM IDD-LINK4)

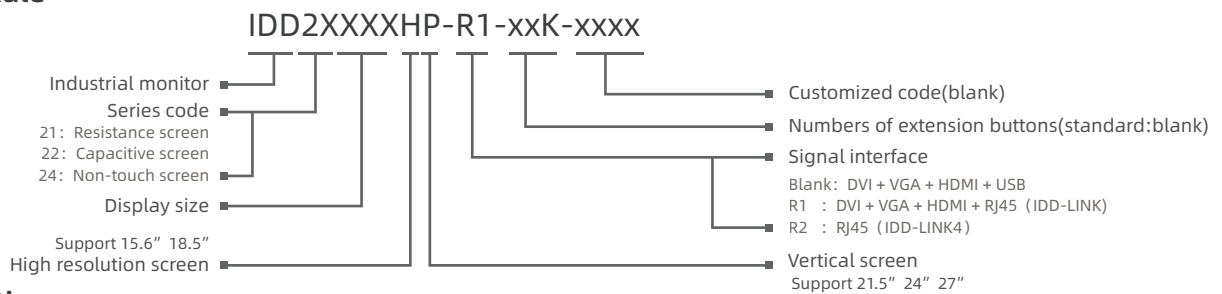
IDD21190-R2 & IDD22190-R2 & IDD24190-R2



Features

- Display type: 10.1", 10.4", 12.1", 12.2", 15", 15.6", 17", 18.5", 19", 21.5", 24", 27"
- Front panel/back cover: Aluminium-magnesium alloy
- Front panel/Rear: IP65 / IP20
- Screen Type: Multi-point capacitive touchscreen, Non-touch screen
- OS: Win XP, Win7, Win10/Win11, Win CE, LINUX
- Video and touch signals can use the IDD-LINK4 interface simultaneously or using HDMI and USB signals separately
notice: both cannot be used simultaneously
- DC 24V
- R1 (IDD-LINK) Long distance USB signal output, support 50m
- R2 (IDD-LINK4) Video and USB are transmitted via a single CAT6 network cable, Transmission distance up to 100m

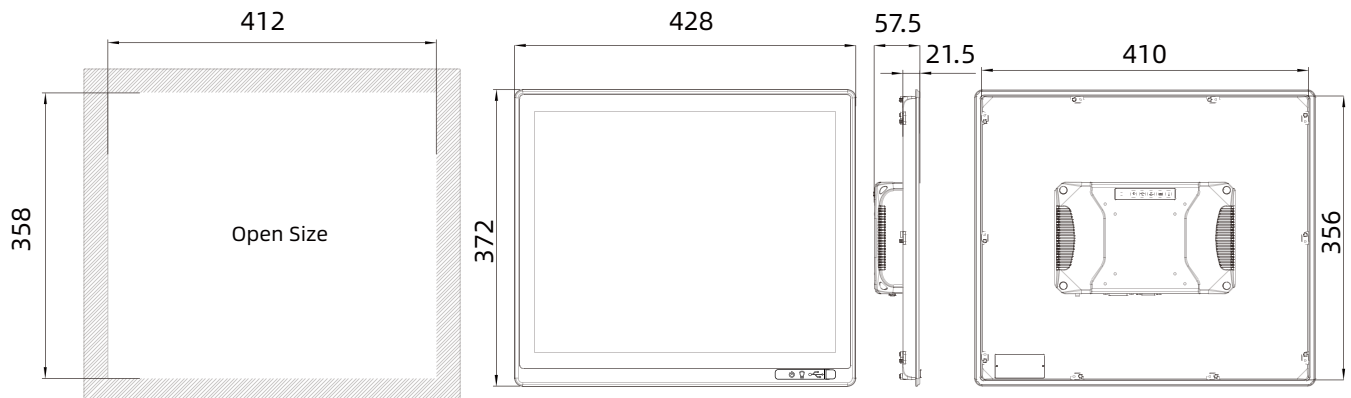
Namely Rule



Specifications

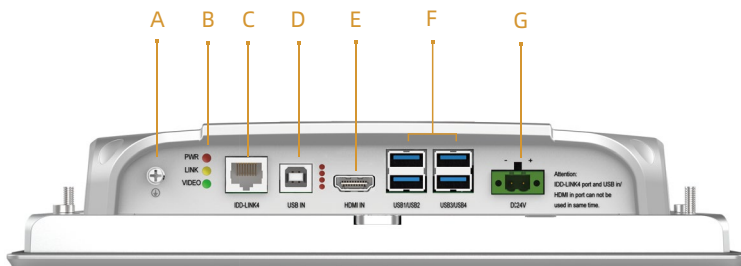
Model	IDD21190-R2&IDD22190-R2&IDD24190-R2	
Routine	Control button	Set contrast ratio and luminance via OSD at the back cover
	Housing	Front panel & back cover: Aluminium-magnesium alloy, Grounding isolation protection
	Mounting	Embedded, Wall-mounted, VESA, Desktop
	Rear I/O	IDD-LINK4 (or HDMI interface) <i>notice: both cannot be used simultaneously</i>
Power	Input Voltage	DC 24V
	Power	24W
Physical	Dimension (WxHxD/mm)	428 x 372 x 57.5 (16.85" x 14.65" x 2.26")
	Open Size (WxH/mm)	412 x 358 (16.22" x 14.09")
	Net Weight(kg)	5.15kg
LCD	Display type	19" SXGA TFT
	Resolution	1280 x 1024
	Colors	16.7M
	Active Area (WxH/mm)	376.32 x 301.06 (14.82" x 11.85")
	Backlight	LED
	MTBF(Hour)	30000hrs
	Pixel Pitch (HxV)	0.294 x 0.294
	Luminance(cd/m2)	250
	Contrast Ratio	1000: 1
	Viewing Angle	(L)85 / (R)85 / (U)80 / (D)80
Touchscreen	Touch Type	Single point resistive touchscreen & Multi-point capacitive touchscreen & Non-touch screen
	Light Transmission	>85%
	Controller	USB interface
	Driver Support	Windows XP, Windows 7, Windows 8, Windows 10/11, Linux, CE
	Multi-touch	10 points
	Surface Hardness	Resistive touchscreen: Mohs' Number >= 3H; Capacitive touchscreen: Mohs' Number 7H
Environment	Operating Temperature	0 ~ 50°C
	Storage Temperature	20 ~ 60°C
	Relative Humidity	5 ~ 95% (Non condensation)
	Shock	Operating 10G peak acceleration(11 ms duration), follow IEC 60068-2-27
	Vibration	Operating Random Vibration Test 5~500Hz, 1Grms@with HDD; 2Grms@with SSD, follow IEC 60068-2-64
	EMC	CE/FCC Class A
	Front Panel Protection	Front panel IP65 compliant

Technical Drawings unit: mm



Panel Cutout Dimensions: 412 x 358mm (16.22 x 14.09in)

External I/O View



Interface definition:

- A: GND
- B: Indicator Light: PWR/LINK/VIDEO
- C: IDD-LINK4
- D: USB input
- E: HDMI
- F: USB output
- G: DC 24V

***Notice:** The ports of IDD-LINK4 and USB input/HDMI cannot be used simultaneously.

Ordering Information

Part Number	Description
IDD21190-R2	19" TFT LCD / Resistive touch screen / DC24V Input / Resolution 1280x1024
IDD22190-R2	19" TFT LCD / Capacitive touch screen / DC24V Input/ Resolution 1280x1024
IDD24190-R2	19" TFT LCD / Non-touch screen / DC24V Input/ Resolution 1280x1024

Optional Accessories

Network cable	5m / 10m / 15m / 20m
DVI	1.5m / 2m / 3m / 5m
USB	1.5m / 2m / 3m / 5m
DP to DVI	1m / 1.5m / 2m / 3m / 5m
HDMI to DVI	1m / 1.5m / 2m / 3m / 5m

Packing List

Terminal	2 pin spring clamp terminal
----------	-----------------------------

Note: Package contents are subject to change without prior notice