

Power. Beautiful.

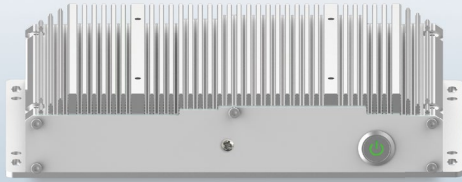
Excellence · Innovation

iBOX22XX



Shanghai Panelmate Electronics Co., Ltd.

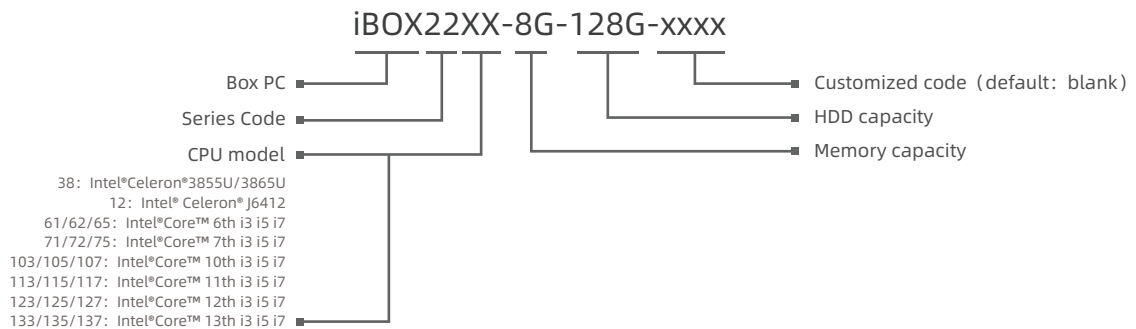
iBOX22XX Fanless Industrial Box



Features

- Compact aluminium-magnesium alloy profile housing, large area aluminium fin design to ensure a good cooling system
- Unilateral interface, Flat mounting or Wall-mounting
- 2 x RJ45 support EtherCAT and jumbo frames, 3 x RJ45(Intel®Core™ 10th or above)
- 4 x USB3.0
- 2 x COM (DB9) , Support BIOS options RS232 or 485
- Intel® Celeron® 3855U, Intel® Celeron® 6412, Intel® Core™ 6/7/10/11/12/13th i3/i5/i7 series to optional
- OS: Win7, Win8, Win10, Win11, Linux, etc (Intel® Celeron® J6412, Intel®Core™ 10th or above don't support Win7)
- Extendable WIFI, 4G, 5G
- Fanless. operating temperature ranges from -20 to 70 ° C
- DC 9~36V

Namely Rule

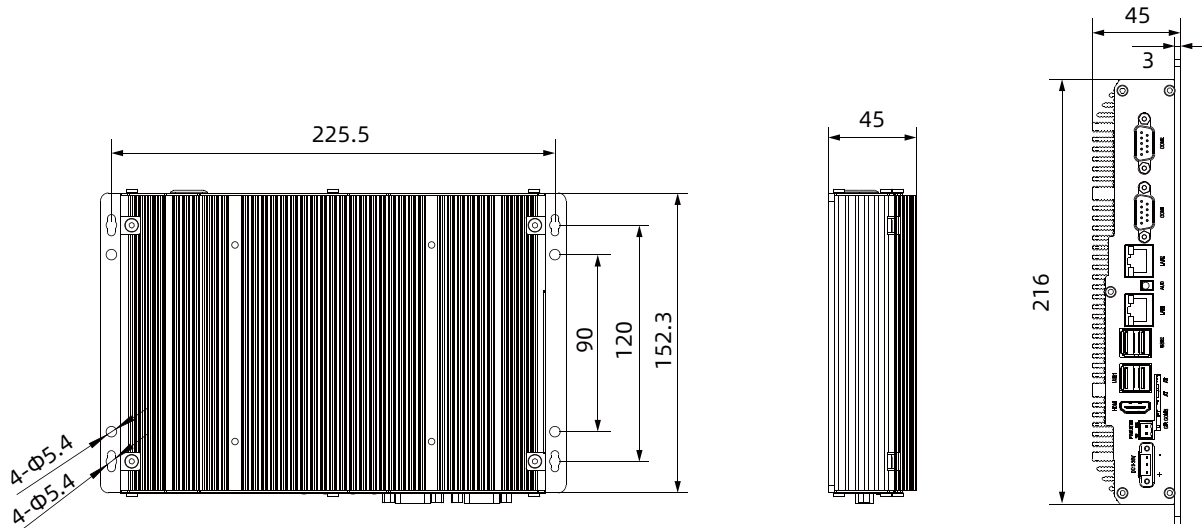


Specifications

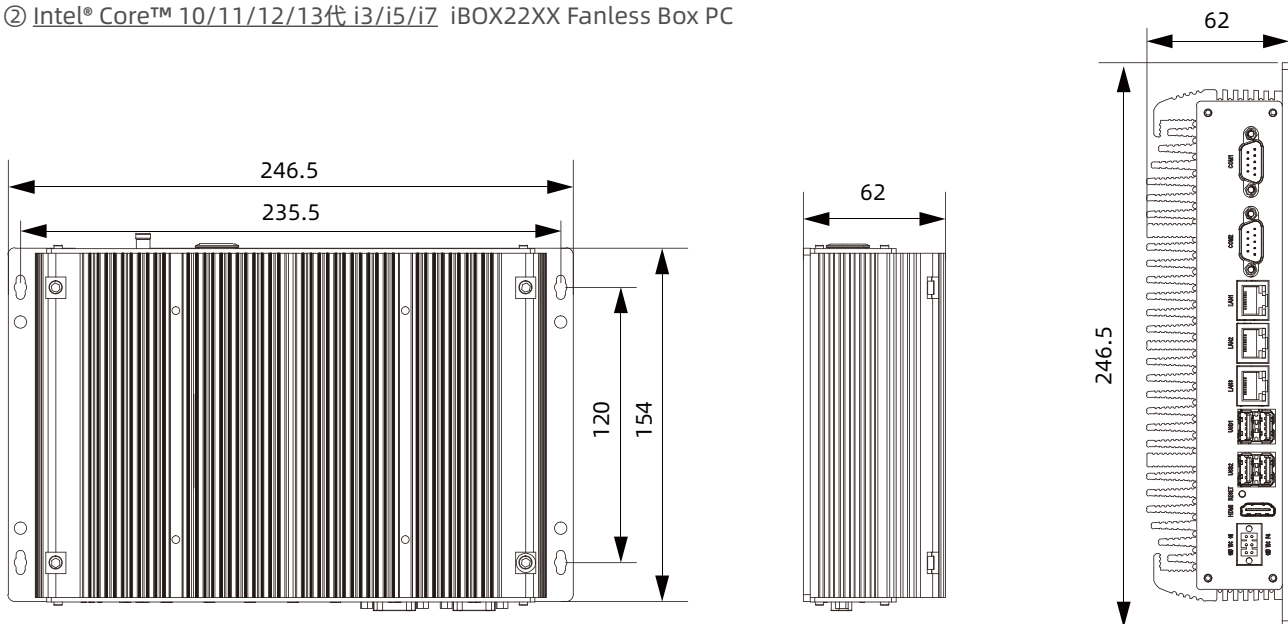
Model	iBOX22XX	
Processor	CPU	Intel® Celeron® 3855U/3865U/6412、Intel® Core™ 6/7/10/11/12/13th i3/i5/i7
	Memory	DDR4-2133 Max: 32GB
	Storage	1xMSATA,1xSATA3.0
	BIOS	AMI UEFI 64Mbit
I/O	LAN	2 x RJ45; 3 x RJ45 (Intel Core™ 10th or above)
	USB	4xUSB3.0
	COM	2xRS232/RS422/RS485, The interface is isolated from TVS (DB9), and the RS485 supports automatic flow control
	HDMI	The highest resolution supported is available 4096*2160@24Hz
	Indicator	1xPower light
	Input Voltage	DC 9~36V, 3 pin connection terminal
	Audio	Realtek ALC662VD audio controller,Supports 5.1 channels
	Control Switch	1xPower
OS	OS	Windows7, Window8, Windows10, Windows11, Linux, etc (Intel® Celeron® J6412, Intel®Core™ 10th and older do not support Win7)
Physical	Dimension (L x W x H)	Dual network port: 216mm x 152.3mm x 45mm (8.50" x 6.00" x 1.77") triple-network-port (Intel Core™ 10th or above) : 221.8mm x 154mm x 62mm (8.73" x 6.06" x 2.44")
	Box Structure	Compacted aluminium-magnesium alloy profile housing, Large aluminum fins dissipate heat GND protection
	Mounting	Flat mounting, Wall-mounting
	Power	25W (Intel®Core™ total power consumption up to 80W depending on CPU)
Environment	Operating Temperature	-20~70°C
	Storage Temperature	-40~80°C
	Relative Humidity	5~95% (Non condensation)
	Shock	Operating 10G peak acceleration(11 ms duration), follow IEC 60068-2-27
	Vibration	Operating Random Vibration Test 5~500Hz, 1Grms@with HDD;2Grms@with SSD, follow IEC 60068-2-64
	EMC	CE/FCC Class A

Technical Drawings unit: mm

- ① Intel® Celeron® 3855U/3865U/ 6412、Intel® Core™ 6/7th i3/i5/i7 Series iBOX22XX Fanless Box PC
For the correct interface, see the External I/O Interface section, which is for dimensional reference only.



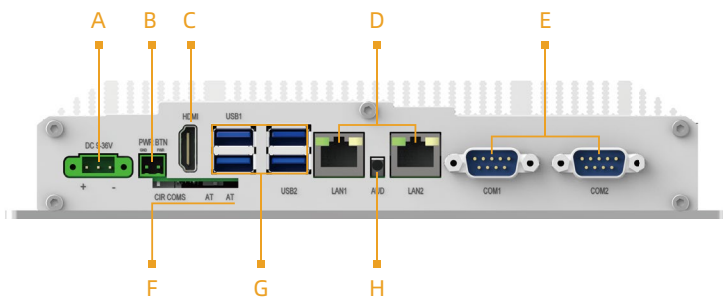
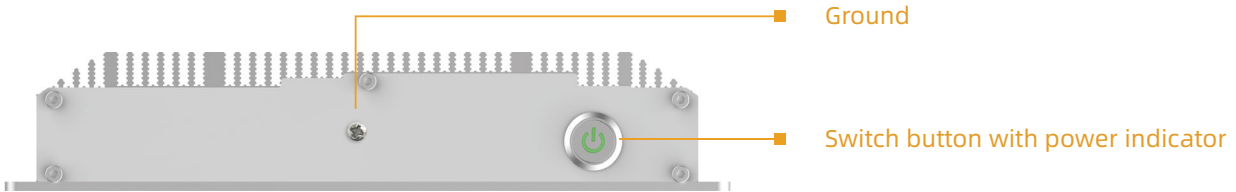
- ② Intel® Core™ 10/11/12/13代 i3/i5/i7 iBOX22XX Fanless Box PC



iBOX22XX Series

External I/O View

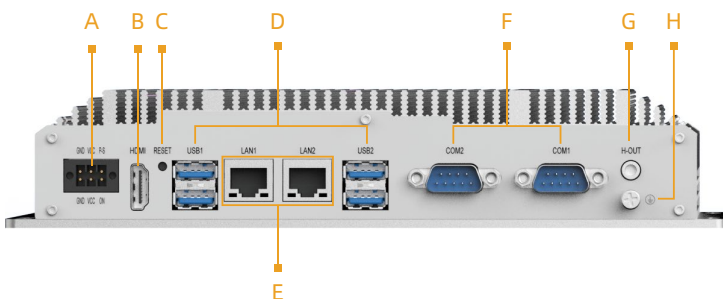
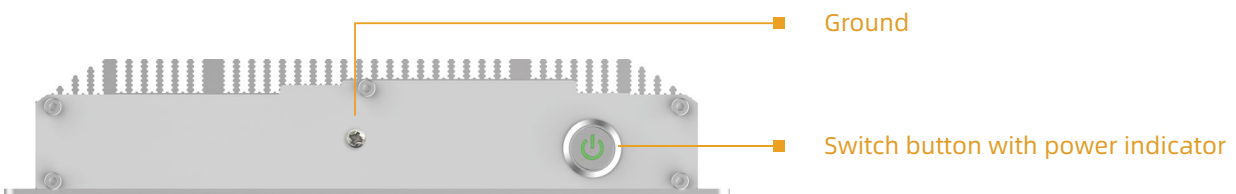
① Intel® Celeron® 3855U/3865U、Intel® Core™ 6/7th i3/i5/i7 Series iBOX22XX Fanless Box PC Interface:



Interface definition:

- | | |
|-----------------|-------------|
| A: DC IN | E: 2 x COM |
| B: Power Switch | F: CLR/CMOS |
| C: HDMI port | G: 4 x USB |
| D: 2 x RJ45 | H: Audio |

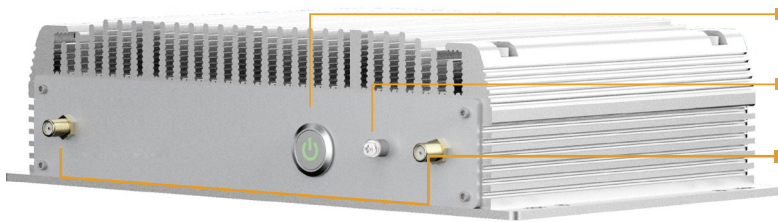
② Intel® Celeron®J6412 iBOX22XX Fanless Box PC Interface:



Interface definition: :

- | | |
|--------------|-------------|
| A: DC IN | E: 2 x RJ45 |
| B: HDMI port | F: 2 x COM |
| C: RESET | G: H-OUT |
| D: 4 x USB | H: Ground |

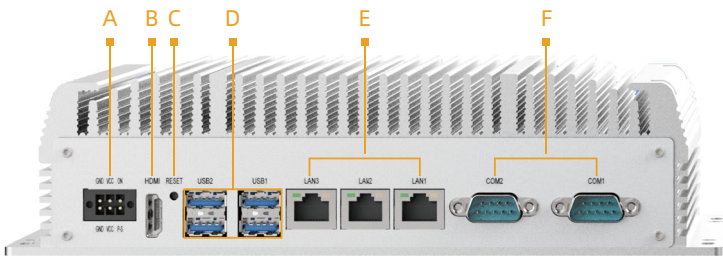
③ Intel® Core™ 10/11/12/13代 i3/i5/i7 iBOX22XX Fanless Box PC Interface:



Switch button with power indicator

Ground

WiFi Bluetooth antenna



Interface definition:

A: DC IN

B: HDMI port

C: RESET

D: 4 x USB

E: 3 x RJ45

F: 2 x COM

Ordering Information

Model	Description
iBOX22XX	CPU:Null, RAM: Null, mSATA: Null; 2xCOM (RS232/485 BIOS switchable) , 2 x LAN, 4 x USB3.0, 1xHDMI, 1xAudio, DC 9~36V power input
iBOX2238-4G-128G	CPU: Intel® Celeron® 3855U, RAM: 4G, mSATA: 128G; 2xCOM (RS232/485 BIOS switchable) , 2 x LAN, 4 x USB3.0, 1xHDMI, 1xAudio, DC 9~36V power input
iBOX2264-4G-128G	CPU: Intel® Celeron® J6412, RAM: 4G, mSATA: 128G; 2xCOM (RS232/485 BIOS switchable) , 2 x LAN, 4 x USB3.0, 1xHDMI, 1xAudio, DC 9~36V power input
iBOX2261-4G-128G	CPU: Intel® Core™ 6th i3, RAM: 4G, mSATA: 128G; 2xCOM (RS232/485 BIOS switchable) , 2 x LAN, 4 x USB3.0, 1xHDMI, 1xAudio, DC 9~36V power input
iBOX2262-4G-128G	CPU: Intel® Core™ 6th i5, RAM: 4G, mSATA: 128G; 2xCOM (RS232/485 BIOS switchable) , 2 x LAN, 4 x USB3.0, 1xHDMI, 1xAudio, DC 9~36V power input
iBOX2265-4G-128G	CPU: Intel® Core™ 6th i7, RAM: 4G, mSATA: 128G; 2xCOM (RS232/485 BIOS switchable) , 2 x LAN, 4 x USB3.0, 1xHDMI, 1xAudio, DC 9~36V power input

Optional Accessories

RAM	DDR4-2400MHz, 4GB, 8GB, 16GB, 32GB
Msata	64GB, 128GB, 256GB, 512GB, 1TB

Packing List

Terminal	2pin Phoenix Terminal
Terminal	3pin Phoenix Terminal

Note: Package contents are subject to change without prior notice