

Powerful. Beautiful.

Excellence · Innovation

TP2



Shanghai Panelmate Electronics Co., Ltd.

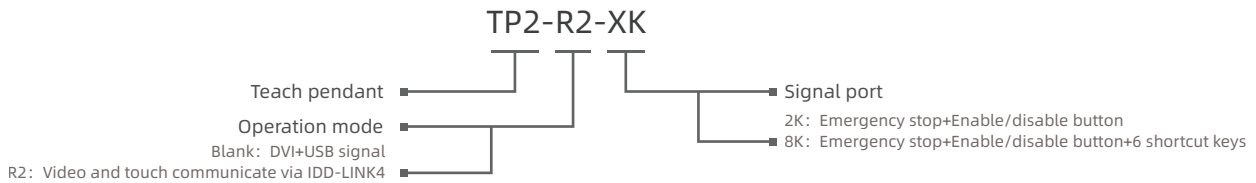
10.1" WXGA Teach Pendant



Features

- 10.1" teach pendant for handling robots, resolution 1280x800
- IP: IP54
- Ergonomic design, comfortable and easy to operate
- The button in the lower right corner of the GUI for quick access to custom functions
- Moderate display size, shoulder straps and grips are designed to simplify operation and prevent fatigue
- System frame grounding protection (GPE) design
- Optional R2 (IDD-LINK4), Video and USB are transmitted via a single CAT6 network cable up to 100 meters
- OS: Win7, Win8, Win10, Win11, Linux, etc
- DC 24V

Namely Rule

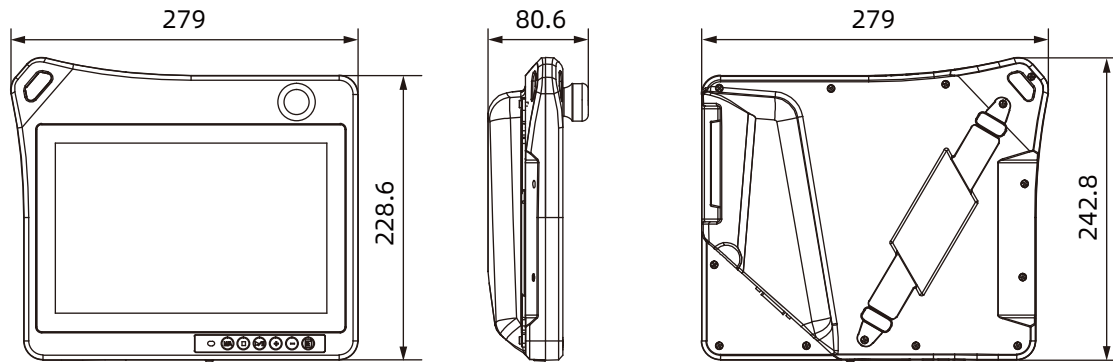


Specifications

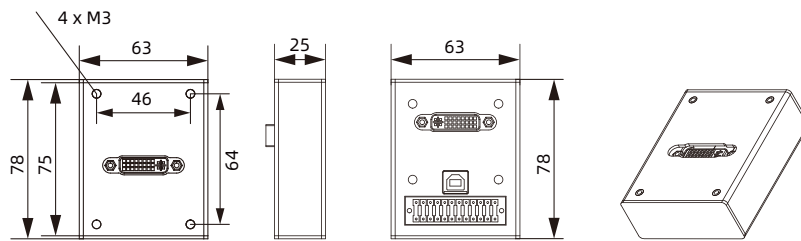
| Model | TP2 | |
|-------------|-----------------------|-----------------------------------------------------------------------------------------------|
| Routine | Housing | Front panel: aluminium magnesium alloy ; Rear cover: ABS+PC |
| | Interface | Emergency stop+24V+3-digit Enable button+DVI-D+USB In signal |
| Power | Input Voltage | DC 24V |
| | Power | 5W |
| Physical | Dimension (WxHxD) | 279mm x 228.6mm x 80.6mm (10.98" x 9" x 3.17") |
| | Net Weight | 1.4kg |
| LCD | Display Type | 10.1" WXGA TFT |
| | Resolution | 1280 x 800 |
| | Colors | 16.7M |
| | Active Area (WxH) | 216.96mm x 135.60mm (8.54" x 5.34") |
| | Backlight | LED |
| | MTBF (hour) | 30000hrs |
| | Pixel Pitch (HxV) | 0.1695 x 0.1695 |
| | Luminance(cd/m2) | 400cd / m2 |
| | Contrast Ratio | 800:1 |
| | Viewing Angle | (L)85 / (R)85 / (U)85 / (D)85 |
| Touchscreen | Touch Type | Multi-point capacitive touchscreen |
| | Light Transmission | >85% |
| | Controller | USB Interface |
| | Driver Support | Windows7, Window8, Windows10, Windows11, Linux, etc |
| | Multi-touch | 10 points |
| | Surface Hardness | Capacitive touchscreen: Mohs' Number 7H |
| Environment | Operating Temperature | -20~70°C |
| | Storage Temperature | -30~70°C |
| | Relative Humidity | 5~95% (Non condensation) |
| | Shock | Operating 10G peak acceleration(11 ms duration), follow IEC 60068-2-27 |
| | Vibration | Operating Random Vibration Test 5~500Hz, 1Grms@with HDD;2Grms@with SSD, follow IEC 60068-2-64 |
| | EMC | CE/FCC Class A |
| | Protection level | IP54 |

TP2

Technical Drawings unit: mm

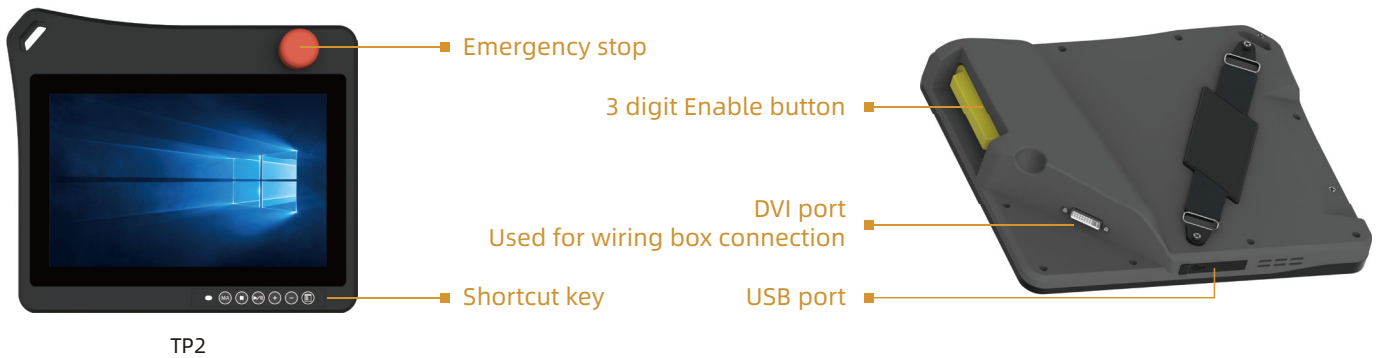


TP2 teach pendant size

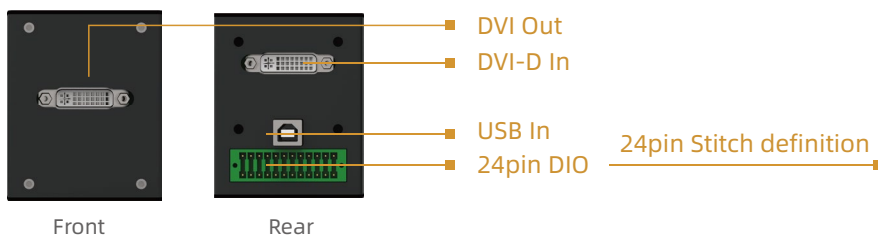


TP2-JB wiring box size

External I/O View



TP2

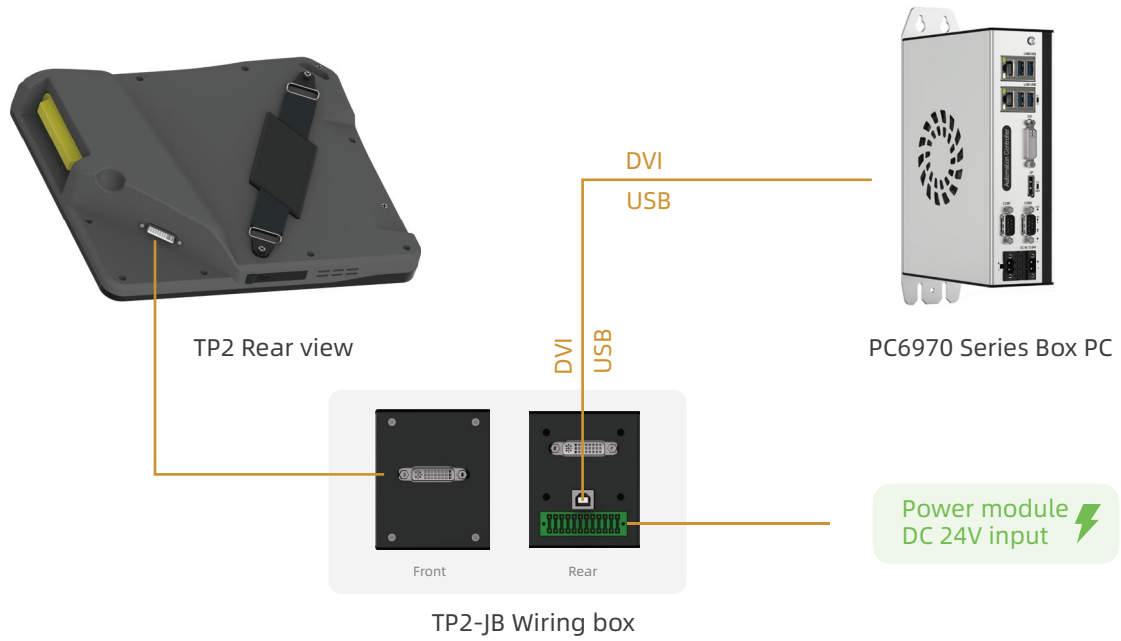


TP2 wiring box

24pin Stitch definition

| | | | |
|--------------|----|----|--------------|
| DC 24V | 2 | 1 | DC 24V |
| DC 0V | 4 | 3 | DC 0V |
| E-stop-NC-A2 | 6 | 5 | E-stop-NC-A1 |
| E-stop-NC-B2 | 8 | 7 | E-stop-NC-B1 |
| EN-NO-A2 | 10 | 9 | EN-NO-A1 |
| EN-NO-B2 | 12 | 11 | EN-NO-B1 |
| | | | |
| | | | |
| | | | |
| | | | |
| | | | |
| | | | |
| | | | |
| | | | |
| | | | |
| | | | |
| | | | |
| | | | |
| | | | |
| | | | |
| | | | |

TP2 Wiring diagram



Ordering Information

| Part Number | Description |
|-------------|----------------------------------------------------------------------------------------------------------------------------------------------------|
| TP2-2K | 10.1" TFT LCD / Capacitive touch screen / D24V input / Resolution 1280x800 / Extension button: Emergency stop + Enable button |
| TP2-5K | 10.1" TFT LCD / Capacitive touch screen / D24V input / Resolution 1280x800 / Extension button: Emergency stop + Enable button + 6 shortcut keys |
| TP2-JB | Wiring box / 1 x DVI In / 1 x DVI Out / 1 x USB In / 1 x 24pin IO |

Optional Accessories

| | |
|-----------|--------------------|
| TP2-CB-5 | External cable 5m |
| TP2-CB-10 | External cable 10m |

Packing List

| | |
|------------|-------------------|
| Wiring box | TP2-JB wiring box |
|------------|-------------------|

Note: Package contents are subject to change without prior notice