

Powerful. Beautiful.

Excellence · Innovation

IPC57190

IPC58190

IPC59190



*front-screen button: the right side. widescreen button: the lower side

Shanghai Panelmate Electronics Co., Ltd.

19" SXGA Industrial Arm-Mounted Operation Panel PC

IPC57190 & IPC58190 & IPC59190

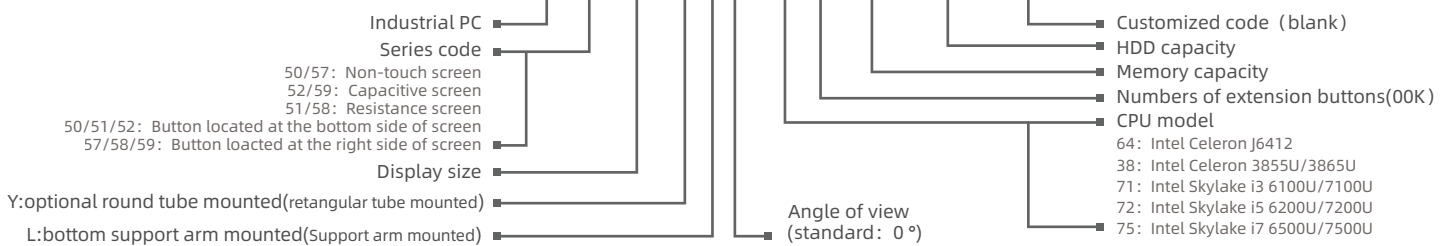


Features

- Display type: 15", 15.6", 18.5", 19", 21.5"
- Front panel/back cover: Aluminium-magnesium alloy
- IP protection level: IP65
- Screen Type: Single point resistive touchscreen, Multi-point capacitive touchscreen, Non-touch screen
- OS: WinXP, Win7, Win10/Win11, WinCE, Linux
- Equipped with 2xIntel i210AT Gigabit network cards, 4xUSB
- Processor: Intel Celeron J6412 (don't support Win XP, Win7) /3855U/3865U and Intel skylake i3/i5/i7 multiple CPU options
- DC 9~36V
- Extendable WIFI/4G

Namely Rule

IPC5XXXX Y L X -xxxK-4G-128G-xxxx

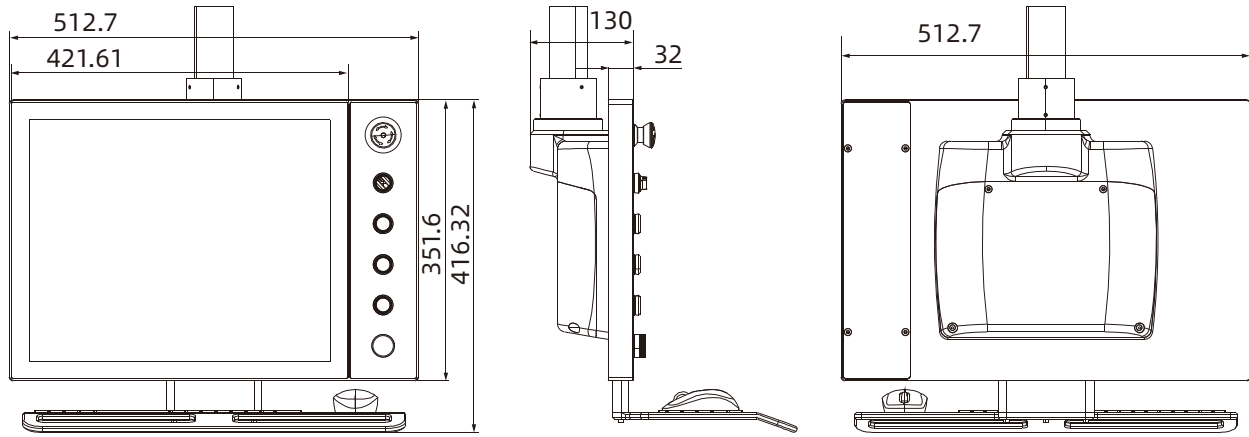


Specifications

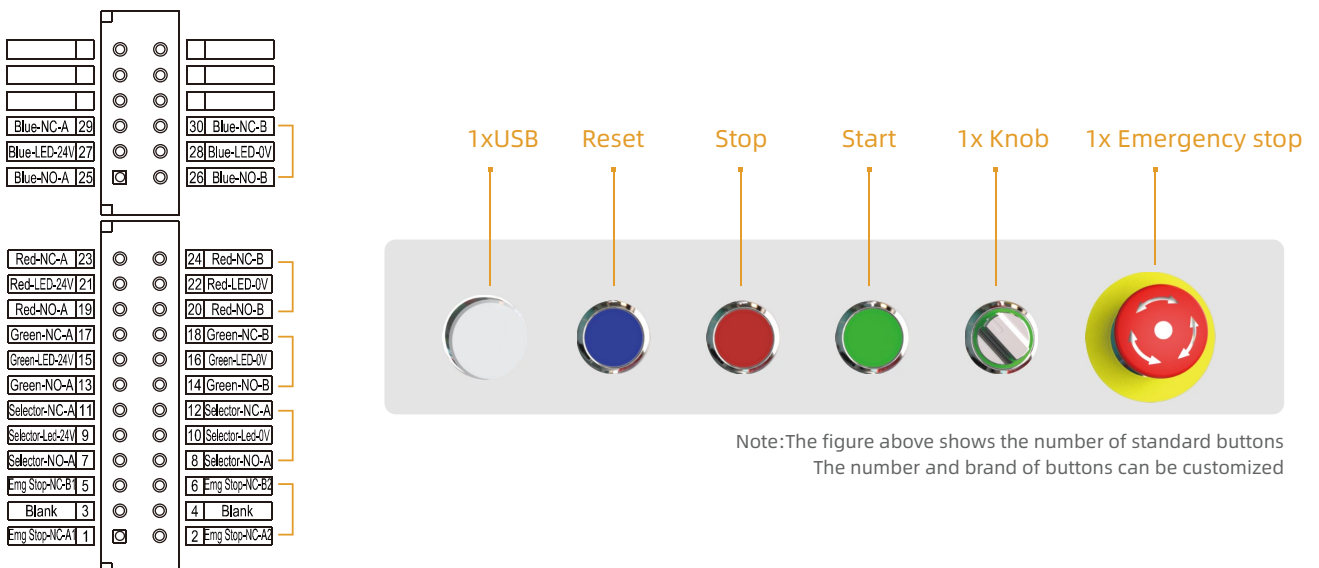
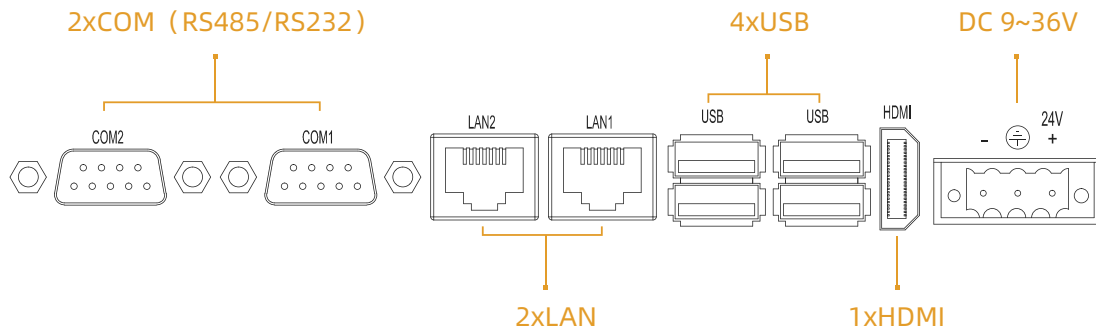
Model	IPC57190&IPC58190&IPC59190						
Processor	CPU	Intel®Celeron® processor J6412	Intel®Celeron® processor 3855U/3865	Intel®Core™i3 processor	Intel®Core™i5 processor	Intel®Core™i7 processor	
	Frequency	Quad Core 2.0GHZ	Dual Core 1.6GHZ	Dual Core 2.3GHZ	Dual Core 2.8GHZ	Dual Core 3.1GHZ	
	Cache	1.5MB	2MB	3MB	3MB	4MB	
	Memory	DDR4 3200MT/s Max: 32GB	DDR4-1866/2133 Max: 32GB	DDR4-2133 Max: 32GB	DDR4-2133 Max: 32GB	DDR4-2133 Max: 32GB	
	Storage	1x2.5" SATA 3.0 +1 x mSATA					
I/O	Network (LAN)	2xIntel i210 1000Mbps RJ45 with surge protection					
	Audio	Realtek ALC662VD audio controller, support 5.1 channels					
	USB	4xUSB3.0					
	COM	2xRS232/RS485 with surge protection, RS485 support automatic flow control					
	Expansion Slot	1xMin-Pcie X1, Support 4G LTE/WIFI/BT with Sim card slot					
Power	Rear I/O	1xHDMI/2xGLAN/4xUSB/2xCOM/AUDIO/DC IN/Power Switch					
	Input Voltage	DC 9~36V					
Physical	Power	39W					
	Display Port	HDMI					
	Dimension (WxHxD)	(Keyboard bay not included) 512.7mm x 351.6mm x 130mm (20.19" x 13.84" x 5.12")					
	Net Weight(kg)	(Keyboard bay not included) 13.3kg					
LCD	Mounted	4460 or 48 arm-mounted					
	Display Type	19" SXGA TFT					
	Resolution	1280x1024					
	Colors	16.7M					
	Active Area (WxH/mm)	376.32mmx301.06mm (14.82"x11.85")					
	Backlight	LED					
	MTBF (hour)	30000hrs					
	Pixel Pitch (HxV)	0.294x0.294					
	Luminance(cd/m2)	250cd/m2					
	Contrast Ratio	1000:1					
Touchscreen	Viewing Angle	(L) 85/ (R) 85/ (U) 80/ (D) 80					
	Touch Type	Single point resistive touchscreen & Multi-point capacitive touchscreen & Non-touch screen					
	Light Transmission	>85%					
	Controller	USB interface					
	Driver Support	Windows7, WES7, Windows 10, Vxworks, Linux					
Environment	Multi-touch	10 points					
	Surface Hardness	Resistive touchscreen: Mohs' Number >= 3H; Capacitive touchscreen: Mohs' Number 7H					
	Operating Temperature	0~50°C					
	Storage Temperature	-20~60°C					
	Relative Humidity	5~95% (Non condensation)					
EMC	Shock	Operating 10G peak acceleration(11 ms duration), follow IEC 60068-2-27					
	Vibration	Operating Random Vibration Test 5~500Hz, 1Grms@with HDD;2Grms@with SSD, follow IEC 60068-2-64					
	EMC	CE/FCC Class A					
	Front Panel Protection	IP65					

IPC57190 & IPC58190 & IPC59190

Technical Drawings unit: mm



External I/O View



Ordering Information

Part Number	Description
IPC57190-6405K-4G-128G	19" TFT LCD / Non-touch screen / extend 5 buttons / DC9~36V input / Resolution 1280x1024 / J6412 / 4G RAM / 128G / mSATA / 2xLAN / 4xUSB / 1xHDMI
IPC58190-6405K-4G-128G	19" TFT LCD / Capacitive touch screen / extend 5 buttons / DC9~36V input / Resolution 1280x1024 / J6412 / 4G RAM / 128G / mSATA / 2xLAN / 4xUSB / 1xHDMI
IPC59190-6405K-4G-128G	19" TFT LCD / Resistive touch screen / extend 5 buttons / DC9~36V input / Resolution 1280x1024 / J6412 / 4G RAM / 128G / mSATA / 2xLAN / 4xUSB / 1xHDMI

Optional Accessories

mSATA	128G / 256G / 512G / 1T
2.5" HDD	512G / 1T / 2T
RAM	4G / 8G / 16G / 32G

Packing List

Terminal	3-pin terminal
Terminal	12-pin terminal
Terminal	24-pin terminal

Note: Package contents are subject to change without prior notice