

Powerful. Beautiful.

## Excellence · Innovation

IPC57150

IPC58150

IPC59150



\*front-screen button: the right side. widescreen button: the lower side

# Shanghai Panelmate Electronics Co., Ltd.

15" XGA Industrial Arm-Mounted Operation Panel PC

# IPC57150 & IPC58150 & IPC59150

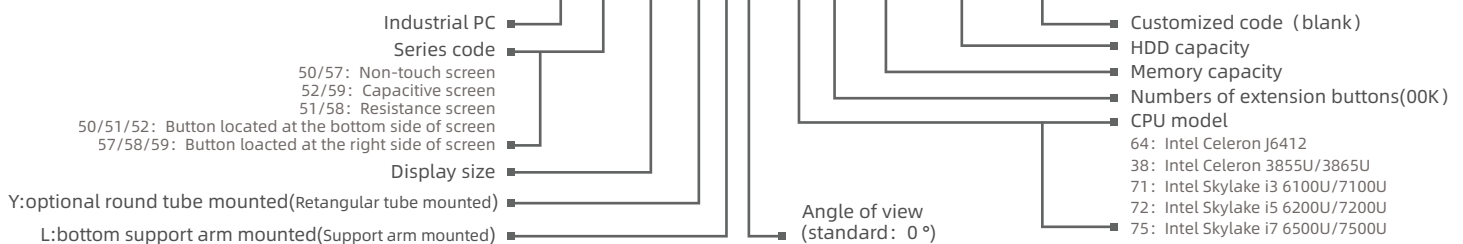


## Features

- Display type: 15", 15.6", 18.5", 19", 21.5"
- Front panel/back cover: Aluminium-magnesium alloy
- IP protection level: IP65
- Screen Type: Single point resistive touchscreen, Multi-point capacitive touchscreen, Non-touch screen
- OS: WinXP, Win7, Win10/Win11, WinCE, Linux
- Equipped with 2xIntel i210AT Gigabit network cards, 4xUSB
- Processor: Intel Celeron J6412 (don't support Win XP, Win7) /3855U/3865U and Intel skylake i3/i5/i7 multiple CPU options
- DC 9~36V
- Extendable WIFI/4G

## Namely Rule

IPC5XXXX Y L X -xxxK-4G-128G-xxxx

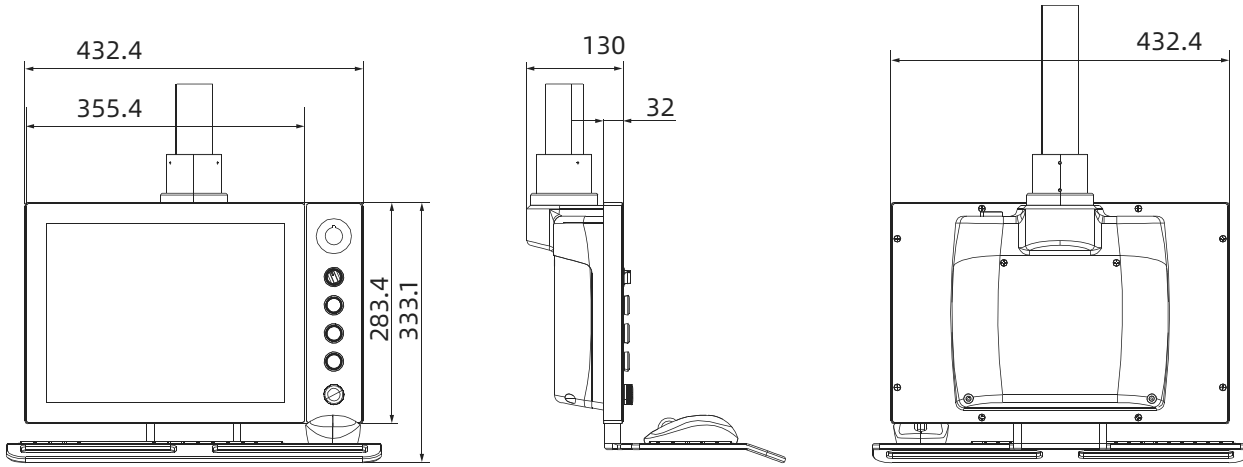


## Specifications

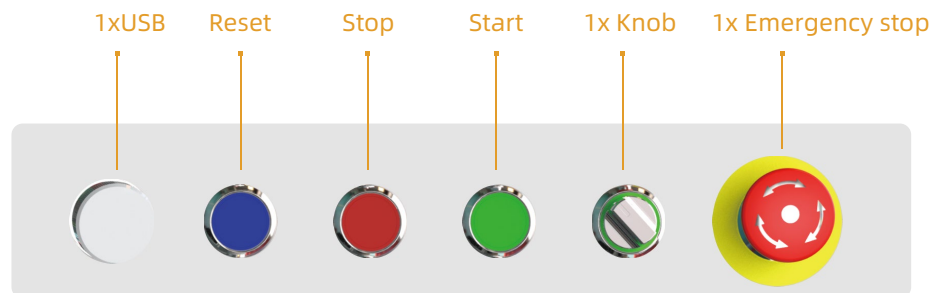
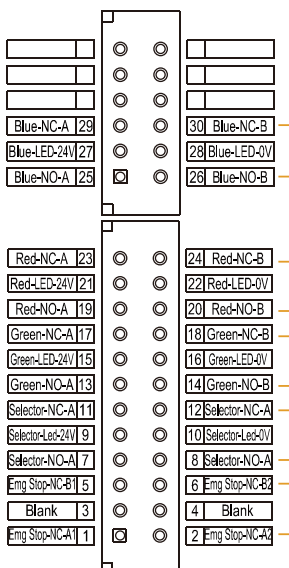
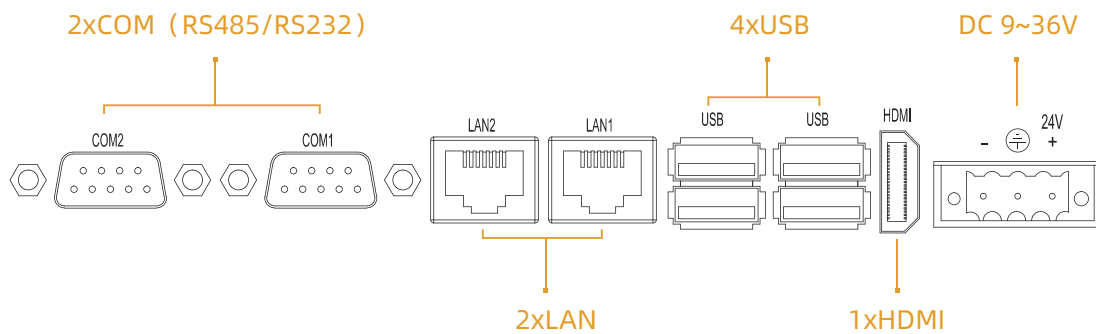
Model	IPC57150&IPC58150&IPC59150						
Processor	CPU	Intel®Celeron® processor J6412	Intel®Celeron® processor 3855U/3865	Intel®Core™i3 processor	Intel®Core™i5 processor	Intel®Core™i7 processor	
	Frequency	Quad Core 2.0GHZ	Dual Core 1.6GHZ	Dual Core 2.3GHZ	Dual Core 2.8GHZ	Dual Core 3.1GHZ	
	Cache	1.5MB	2MB	3MB	3MB	4MB	
	Memory	DDR4 3200MT/s Max: 32GB	DDR4-1866/2133 Max: 32GB	DDR4-2133 Max: 32GB	DDR4-2133 Max: 32GB	DDR4-2133 Max: 32GB	
	Storage	1x2.5" SATA 3.0 +1 x mSATA					
I/O	Network (LAN)	2xIntel i210 1000Mbps RJ45 with surge protection					
	Audio	Realtek ALC662VD audio controller, support 5.1 channels					
	USB	4xUSB3.0					
	COM	2xRS232/RS485 with surge protection, RS485 support automatic flow control					
	Expansion Slot	1xMini-Pcie X1, Support 4G LTE/WIFI/BT with Sim card slot					
Power	Rear I/O	1xHDMI/2xGLAN/4xUSB/2xCOM/AUDIO/DC IN/Power Switch					
	Input Voltage	DC 9~36V					
Physical	Power	36W					
	Display Port	HDMI					
	Dimension (WxHxD)	(Keyboard bay not included) 432.4mm x 283.4mm x 130mm (17.02" x 11.16" x 5.12")					
	Net Weight(kg)	(Keyboard bay not included) 10kg					
	Mounted	4460 or 48 arm-mounted					
LCD	Display Type	15" XGA TFT					
	Resolution	1024x768					
	Colors	16.7M					
	Active Area (WxH/mm)	304.1mmx228.1mm (11.97"x8.98")					
	Backlight	LED					
	MTBF (hour)	50000hrs					
	Pixel Pitch (HxV)	0.297x0.297					
	Luminance(cd/m2)	420cd/m2					
	Contrast Ratio	800:1					
	Viewing Angle	(L) 80/ (R) 80/ (U) 80/ (D) 80					
Touchscreen	Touch Type	Single point resistive touchscreen & Multi-point capacitive touchscreen & Non-touch screen					
	Light Transmission	>85%					
	Controller	USB interface					
	Driver Support	Windows7, WES7, Windows 10, Vxworks, Linux					
	Multi-touch	10 points					
Environment	Surface Hardness	Resistive touchscreen: Mohs' Number>= 3H; Capacitive touchscreen: Mohs' Number 7H					
	Operating Temperature	-10~65°C					
	Storage Temperature	-20~70°C					
	Relative Humidity	5~95% (Non condensation)					
	Shock	Operating 10G peak acceleration(11 ms duration), follow IEC 60068-2-27					
	Vibration	Operating Random Vibration Test 5~500Hz, 1Grms@with HDD;2Grms@with SSD, follow IEC 60068-2-64					
	EMC	CE/FCC Class A					
Front Panel Protection	IP65						

# IPC57150 & IPC58150 & IPC59150

## Technical Drawings unit: mm



## External I/O View



Note: The figure above shows the number of standard buttons. The number and brand of buttons can be customized.

## Ordering Information

Part Number	Description
IPC57150-6405K-4G-128G	15" TFT LCD / Non-touch screen / extend 5 buttons / DC9~36V input / Resolution 1024x768 / J6412 / 4G RAM / 128G / mSATA / 2xLAN / 4xUSB / 1xHDMI
IPC58150-6405K-4G-128G	15" TFT LCD / Capacitive touch screen / extend 5 buttons / DC9~36V input / Resolution 1024x768 / J6412 / 4G RAM / 128G / mSATA / 2xLAN / 4xUSB / 1xHDMI
IPC59150-6405K-4G-128G	15" TFT LCD / Resistive touch screen / extend 5 buttons / DC9~36V input / Resolution 1024x768 / J6412 / 4G RAM / 128G / mSATA / 2xLAN / 4xUSB / 1xHDMI

## Optional Accessories

mSATA	128G / 256G / 512G / 1T
2.5" HDD	512G / 1T / 2T
RAM	4G / 8G / 16G / 32G

## Packing List

Terminal	3-pin terminal
Terminal	12-pin terminal
Terminal	24-pin terminal

Note: Package contents are subject to change without prior notice

Powerful. Beautiful.

## Excellence · Innovation

IPC50156

IPC51156

IPC52156



\*front-screen button: the right side. widescreen button: the lower side

# Shanghai Panelmate Electronics Co., Ltd.

15.6" WXGA Industrial Arm-Mounted Operation Panel PC

# IPC50156 & IPC51156 & IPC52156

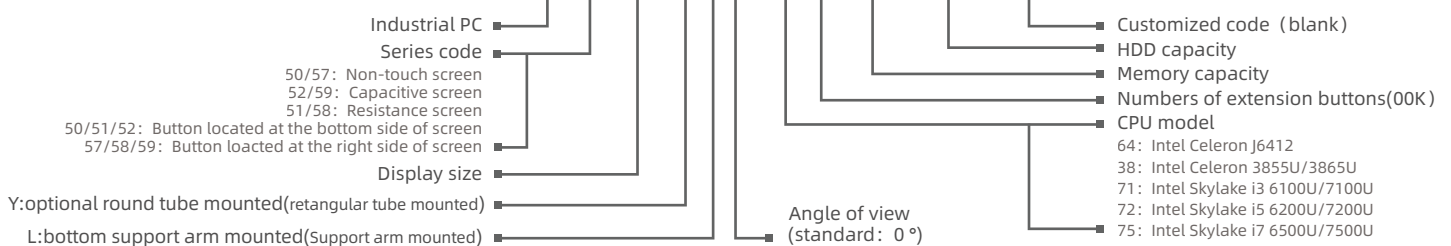


## Features

- Display type: 15", 15.6", 18.5", 19", 21.5"
- Front panel/back cover: Aluminium-magnesium alloy
- IP protection level: IP65
- Screen Type: Single point resistive touchscreen, Multi-point capacitive touchscreen, Non-touch screen
- OS: WinXP, Win7, Win10/Win11, WinCE, Linux
- Equipped with 2x Intel i210AT Gigabit network cards, 4xUSB
- Processor: Intel Celeron J6412 (don't support Win XP, Win7) / 3855U / 3865U and Intel skylake i3/i5/i7 multiple CPU options
- DC 9~36V
- Extendable WIFI/4G

## Namely Rule

IPC5XXXX Y L X -xxxK-4G-128G-xxxx

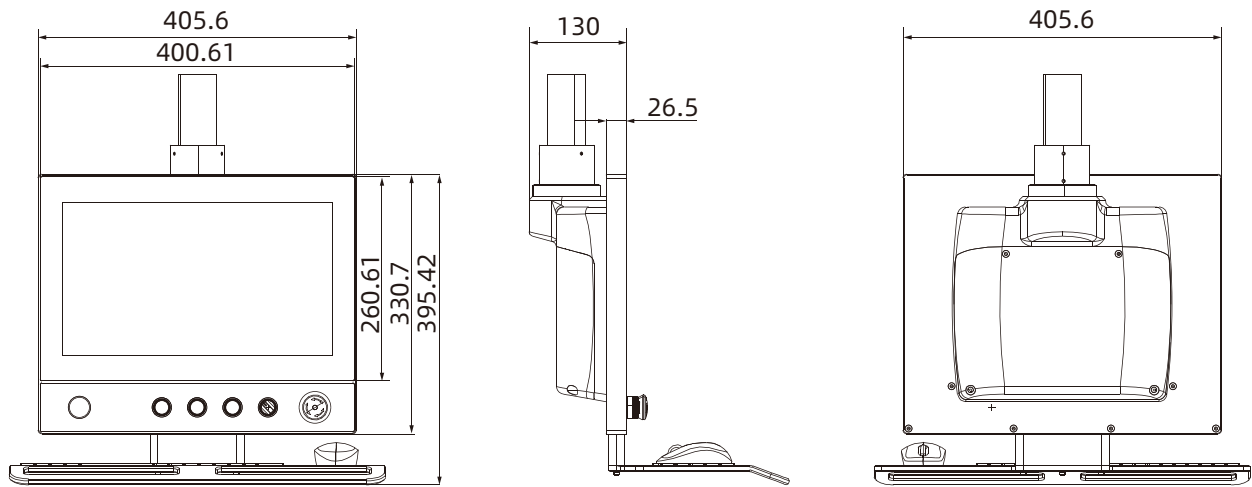


## Specifications

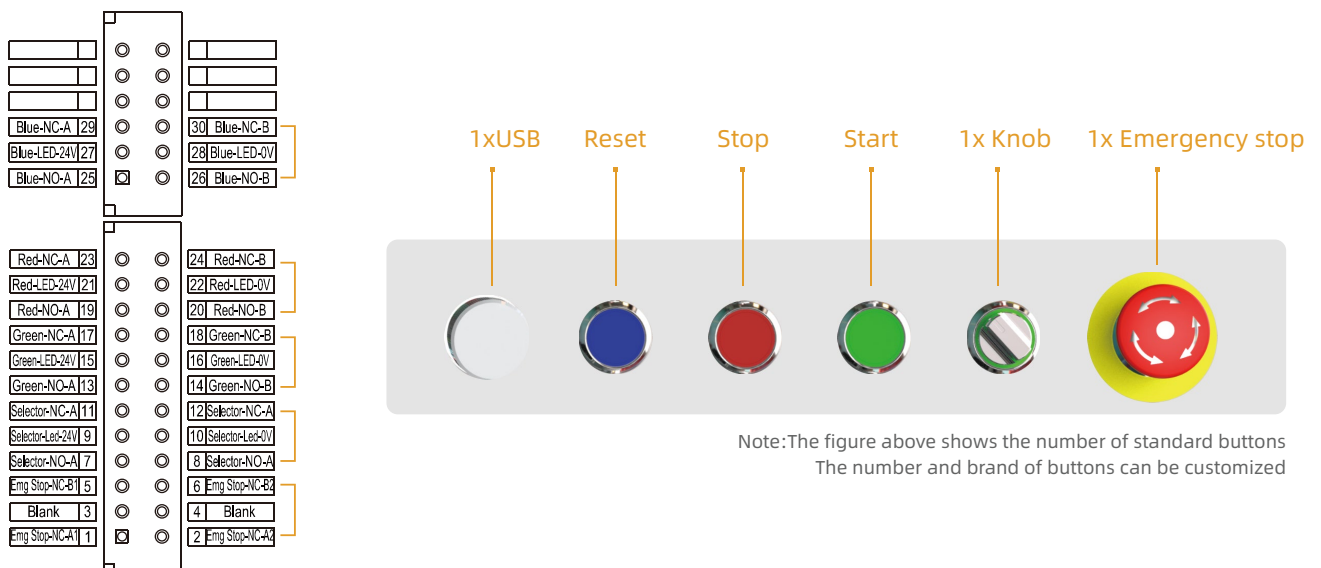
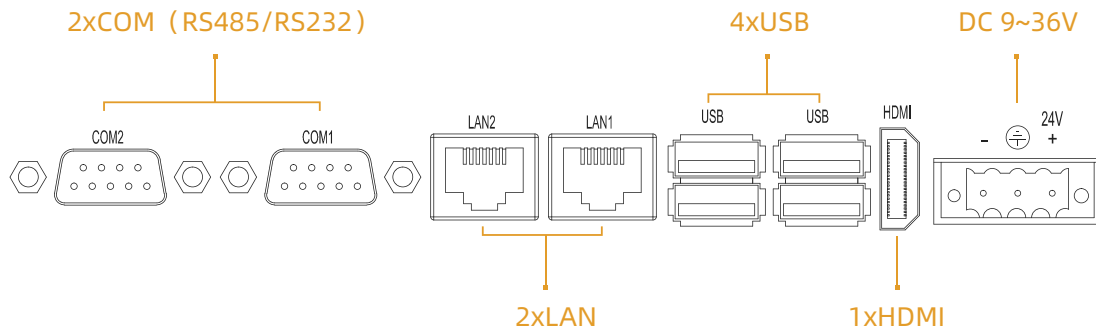
Model	IPC50156&IPC51156&IPC52156					
Processor	CPU	Intel®Celeron® processor J6412	Intel®Celeron® processor 3855U/3865	Intel®Core™i3 processor	Intel®Core™ i5 processor	Intel®Core™ i7 processor
	Frequency	Quad Core 2.0GHZ	Dual Core 1.6GHZ	Dual Core 2.3GHZ	Dual Core 2.8GHZ	Dual Core 3.1GHZ
	Cache	1.5MB	2MB	3MB	3MB	4MB
	Memory	DDR4 3200MT/s Max: 32GB	DDR4-1866/2133 Max: 32GB	DDR4-2133 Max: 32GB	DDR4-2133 Max: 32GB	DDR4-2133 Max: 32GB
	Storage	1x2.5" SATA 3.0 +1 x mSATA				
I/O	Network (LAN)	2xIntel i210 1000Mbps RJ45 with surge protection				
	Audio	Realtek ALC662VD audio controller, support 5.1 channels				
	USB	4xUSB3.0/2.0				
	COM	2xRS232/RS485 with surge protection, RS485 support automatic flow control				
	Expansion Slot	1xMin-Pcie X1, Support 4G LTE/WIFI/BT with Sim card slot				
Power	Rear I/O	1xHDMI/2xGLAN/4xUSB/2xCOM/AUDIO/DC IN/Power Switch				
	Input Voltage	DC 9~36V				
Physical	Power	43W				
	Display Port	HDMI				
	Dimension (WxHxD)	(Keyboard bay not included) 405.6mm x 330.7mm x 130mm (15.97" x 13.02" x 5.12")				
	Net Weight(kg)	(Keyboard bay not included) 10.1kg				
LCD	Mounted	4460 or 48 arm-mounted				
	Display Type	15.6" WXGA TFT				
	Resolution	1366x768				
	Colors	16.7M				
	Active Area (WxH/mm)	344.23mmx193.54mm (13.55"x7.62")				
	Backlight	LED				
	MTBF (hour)	50000hrs				
	Pixel Pitch (HxV)	0.252x0.252				
	Luminance(cd/m2)	300cd/m2				
	Contrast Ratio	3000:1				
Touchscreen	Viewing Angle	(L) 85/ (R) 85/ (U) 85/ (D) 85				
	Touch Type	Single point resistive touchscreen & Multi-point capacitive touchscreen & Non-touch screen				
	Light Transmission	>85%				
	Controller	USB interface				
	Driver Support	Windows7, WES7, Windows 10, Vxworks, Linux				
Environment	Multi-touch	10 points				
	Surface Hardness	Resistive touchscreen: Mohs' Number >= 3H; Capacitive touchscreen: Mohs' Number 7H				
	Operating Temperature	0~60°C				
	Storage Temperature	-20~60°C				
	Relative Humidity	5~95% (Non condensation)				
	Shock	Operating 10G peak acceleration(11 ms duration), follow IEC 60068-2-27				
	Vibration	Operating Random Vibration Test 5~500Hz, 1Grms@with HDD;2Grms@with SSD, follow IEC 60068-2-64				
EMC	CE/FCC Class A					
Front Panel Protection	IP65					

# IPC50156 & IPC51156 & IPC52156

## Technical Drawings unit: mm



## External I/O View



## Ordering Information

Part Number	Description
IPC50156-6405K-4G-128G	15.6" TFT LCD / Non-touch screen / extend 5 buttons / DC9~36V input / Resolution 1366x768 / J6412 / 4G RAM / 128G / mSATA / 2xLAN / 4xUSB / 1xHDMI
IPC51156-6405K-4G-128G	15.6" TFT LCD / Capacitive touch screen / extend 5 buttons / DC9~36V input / Resolution 1366x768 / J6412 / 4G RAM / 128G / mSATA / 2xLAN / 4xUSB / 1xHDMI
IPC52156-6405K-4G-128G	15.6" TFT LCD / Resistive touch screen / extend 5 buttons / DC9~36V input / Resolution 1366x768 / J6412 / 4G RAM / 128G / mSATA / 2xLAN / 4xUSB / 1xHDMI

## Optional Accessories

mSATA	128G / 256G / 512G / 1T
2.5" HDD	512G / 1T / 2T
RAM	4G / 8G / 16G / 32G

## Packing List

Terminal	3-pin terminal
Terminal	12-pin terminal
Terminal	24-pin terminal

Note: Package contents are subject to change without prior notice



Powerful. Beautiful.

**Excellence · Innovation**

IPC50185

IPC51185

IPC52185



\*front-screen button: the right side. widescreen button: the lower side

**Shanghai Panelmate Electronics Co., Ltd.**

18.5" WXGA Industrial Arm-Mounted Operation Panel PC

**PANELMATE**  
Creative HMI Solution

# IPC50185 & IPC51185 & IPC52185

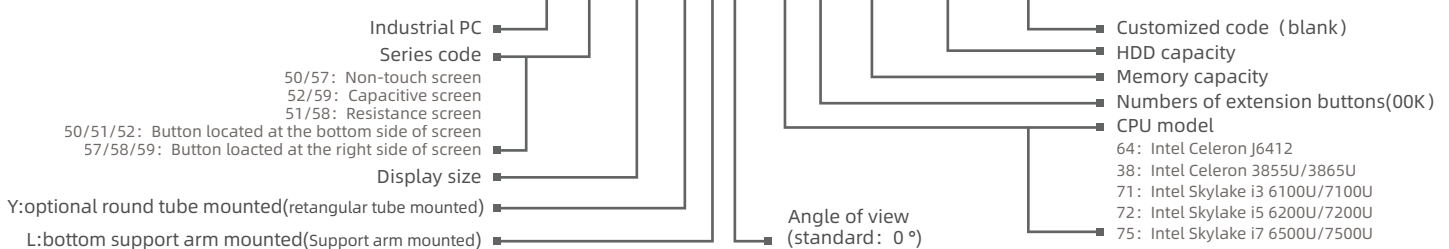


## Features

- Display type: 15", 15.6", 18.5", 19", 21.5"
- Front panel/back cover: Aluminium-magnesium alloy
- IP protection level: IP65
- Screen Type: Single point resistive touchscreen, Multi-point capacitive touchscreen, Non-touch screen
- OS: WinXP, Win7, Win10/Win11, WinCE, Linux
- Equipped with 2xIntel i210AT Gigabit network cards, 4xUSB
- Processor: Intel Celeron J6412 (don't support Win XP, Win7) /3855U/3865U and Intel skylake i3/i5/i7 multiple CPU options
- DC 9~36V
- Extendable WIFI/4G

## Namely Rule

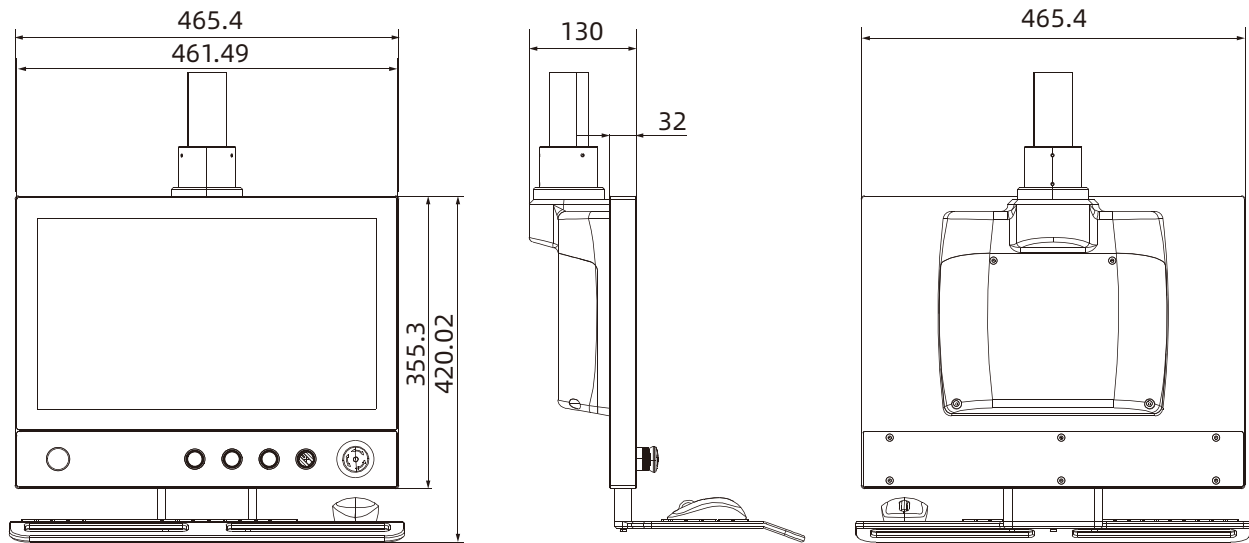
IPC5XXXX Y L X -xxxK-4G-128G-xxxx



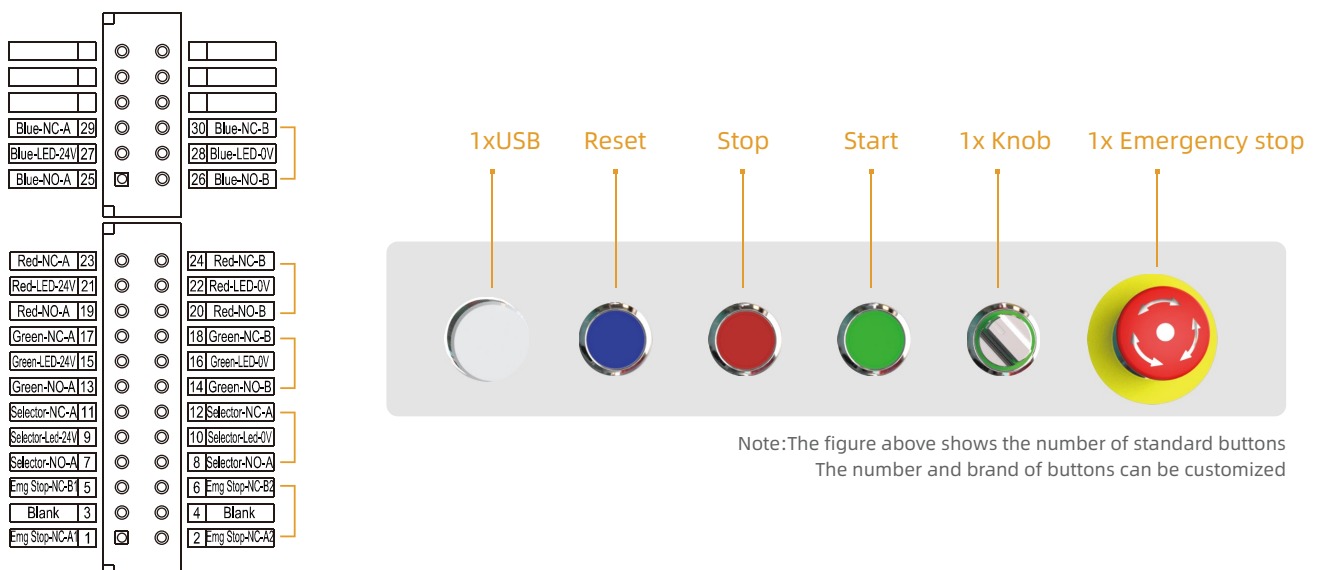
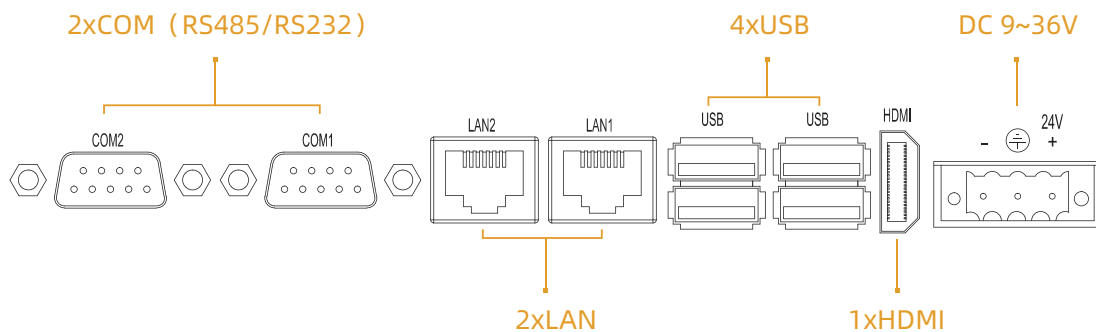
## Specifications

Model	IPC50185&IPC51185&IPC52185					
Processor	CPU	Intel®Celeron® processor J6412	Intel®Celeron® processor 3855U/3865	Intel®Core™i3 processor	Intel®Core™i5 processor	Intel®Core™i7 processor
	Frequency	Quad Core 2.0GHZ	Dual Core 1.6GHZ	Dual Core 2.3GHZ	Dual Core 2.8GHZ	Dual Core 3.1GHZ
	Cache	1.5MB	2MB	3MB	3MB	4MB
	Memory	DDR4 3200MT/s Max: 32GB	DDR4-1866/2133 Max: 32GB	DDR4-2133 Max: 32GB	DDR4-2133 Max: 32GB	DDR4-2133 Max: 32GB
	Storage	1x2.5" SATA 3.0 +1 x mSATA				
I/O	Network (LAN)	2xIntel i210 1000Mbps RJ45 with surge protection				
	Audio	Realtek ALC662VD audio controller, support 5.1 channels				
	USB	4xUSB3.0/2.0				
	COM	2xRS232/RS485 with surge protection, RS485 support automatic flow control				
	Expansion Slot	1xMin-Pcie X1, Support 4G LTE/WIFI/BT with Sim card slot				
Rear I/O	1xHDMI/2xGLAN/4xUSB/2xCOM/AUDIO/DC IN/Power Switch					
Power	Input Voltage	DC 9~36V				
	Power	41W				
Physical	Display Port	HDMI				
	Dimension (WxHxD)	(Keyboard bay not included) 465.4mm x 355.3mm x 130mm (18.32" x 13.99" x 5.12")				
	Net Weight(kg)	(Keyboard bay not included) 12.5kg				
	Mounted	4460 or 48 arm-mounted				
LCD	Display Type	18.5" WXGA TFT				
	Resolution	1366x768				
	Colors	16.7M				
	Active Area (WxH/mm)	409.8mmx230.4mm (16.13"x9.07")				
	Backlight	LED				
	MTBF (hour)	30000hrs				
	Pixel Pitch (HxV)	0.3x0.3				
	Luminance(cd/m2)	500cd/m2				
	Contrast Ratio	1000:1				
	Viewing Angle	(L) 89/ (R) 89/ (U) 89/ (D) 89				
Touchscreen	Touch Type	Single point resistive touchscreen & Multi-point capacitive touchscreen & Non-touch screen				
	Light Transmission	>85%				
	Controller	USB interface				
	Driver Support	Windows7, WES7, Windows 10, Vxworks, Linux				
	Multi-touch	10 points				
Surface Hardness	Resistive touchscreen: Mohs' Number >= 3H; Capacitive touchscreen: Mohs' Number 7H					
Environment	Operating Temperature	0~50°C				
	Storage Temperature	-20~60°C				
	Relative Humidity	5~95% (Non condensation)				
	Shock	Operating 10G peak acceleration(11 ms duration), follow IEC 60068-2-27				
	Vibration	Operating Random Vibration Test 5~500Hz, 1Grms@with HDD;2Grms@with SSD, follow IEC 60068-2-64				
	EMC	CE/FCC Class A				
Front Panel Protection	IP65					

## Technical Drawings unit: mm



## External I/O View



## Ordering Information

Part Number	Description
IPC50185-6405K-4G-128G	18.5" TFT LCD / Non-touch screen / extend 5 buttons / DC9~36V input / Resolution 1366x768 / J6412 / 4G RAM / 128G / mSATA / 2xLAN / 4xUSB / 1xHDMI
IPC51185-6405K-4G-128G	18.5" TFT LCD / Capacitive touch screen / extend 5 buttons / DC9~36V input / Resolution 1366x768 / J6412 / 4G RAM / 128G / mSATA / 2xLAN / 4xUSB / 1xHDMI
IPC52185-6405K-4G-128G	18.5" TFT LCD / Resistive touch screen / extend 5 buttons / DC9~36V input / Resolution 1366x768 / J6412 / 4G RAM / 128G / mSATA / 2xLAN / 4xUSB / 1xHDMI

## Optional Accessories

mSATA	128G / 256G / 512G / 1T
2.5" HDD	512G / 1T / 2T
RAM	4G / 8G / 16G / 32G

## Packing List

Terminal	3-pin terminal
Terminal	12-pin terminal
Terminal	24-pin terminal

Note: Package contents are subject to change without prior notice

Powerful. Beautiful.

## Excellence · Innovation

IPC57190

IPC58190

IPC59190



\*front-screen button: the right side. widescreen button: the lower side

# Shanghai Panelmate Electronics Co., Ltd.

19" SXGA Industrial Arm-Mounted Operation Panel PC

# IPC57190 & IPC58190 & IPC59190

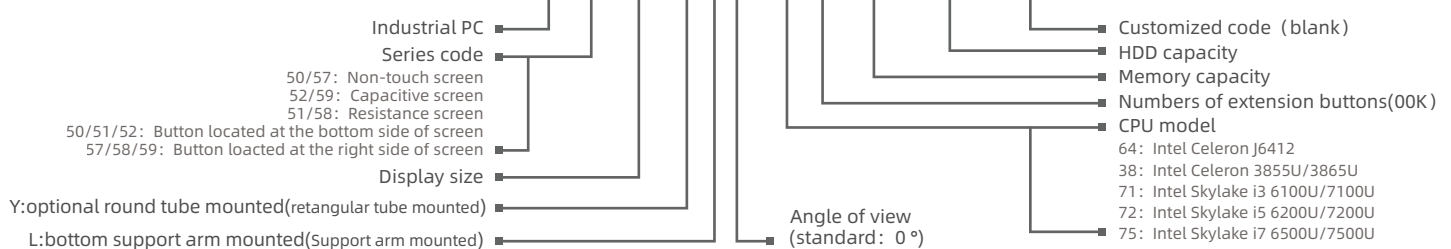


## Features

- Display type: 15", 15.6", 18.5", 19", 21.5"
- Front panel/back cover: Aluminium-magnesium alloy
- IP protection level: IP65
- Screen Type: Single point resistive touchscreen, Multi-point capacitive touchscreen, Non-touch screen
- OS: WinXP, Win7, Win10/Win11, WinCE, Linux
- Equipped with 2xIntel i210AT Gigabit network cards, 4xUSB
- Processor: Intel Celeron J6412 (don't support Win XP, Win7) /3855U/3865U and Intel skylake i3/i5/i7 multiple CPU options
- DC 9~36V
- Extendable WIFI/4G

## Namely Rule

IPC5XXXX Y L X -xxxK-4G-128G-xxxx

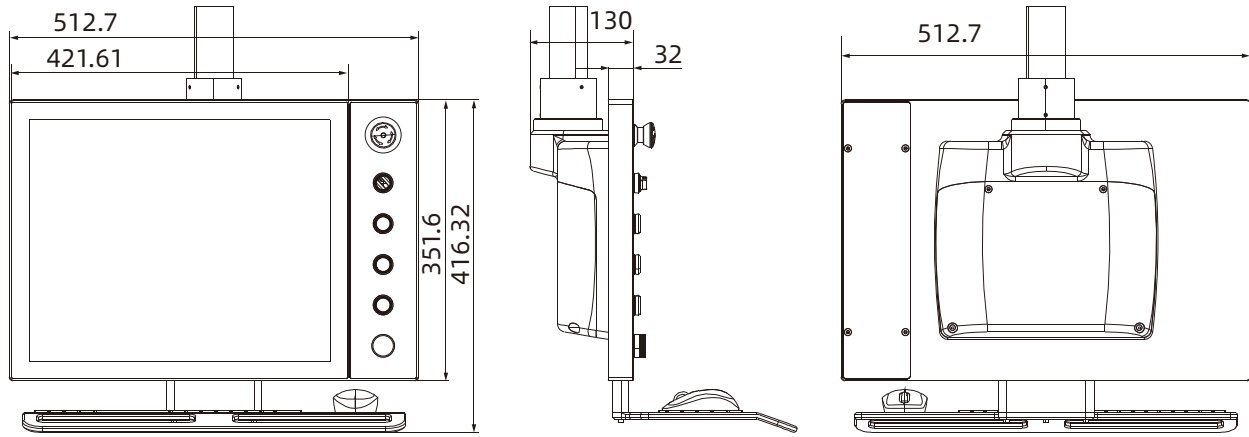


## Specifications

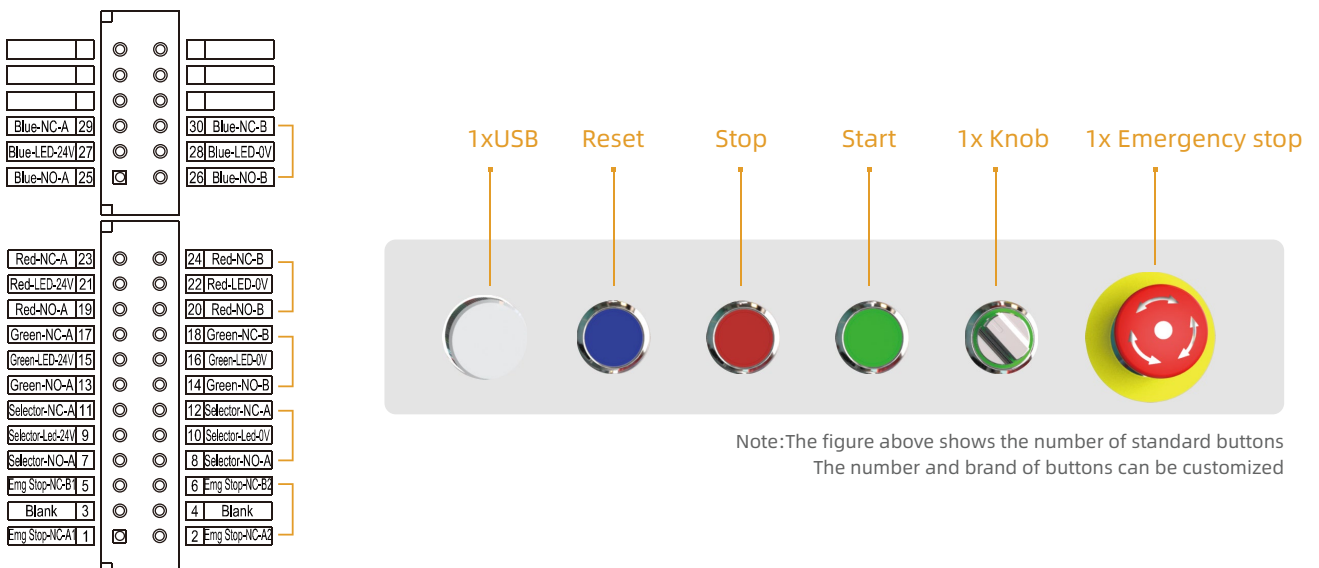
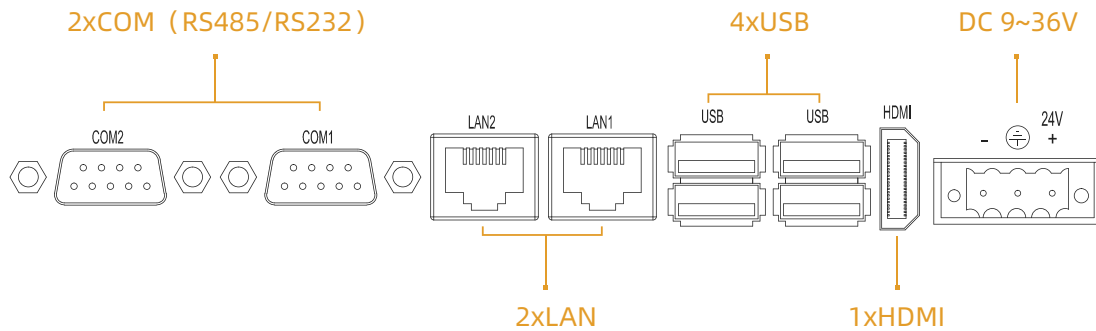
Model	IPC57190&IPC58190&IPC59190						
Processor	CPU	Intel®Celeron® processor J6412	Intel®Celeron® processor 3855U/3865	Intel®Core™i3 processor	Intel®Core™i5 processor	Intel®Core™i7 processor	
	Frequency	Quad Core 2.0GHZ	Dual Core 1.6GHZ	Dual Core 2.3GHZ	Dual Core 2.8GHZ	Dual Core 3.1GHZ	
	Cache	1.5MB	2MB	3MB	3MB	4MB	
	Memory	DDR4 3200MT/s Max: 32GB	DDR4-1866/2133 Max: 32GB	DDR4-2133 Max: 32GB	DDR4-2133 Max: 32GB	DDR4-2133 Max: 32GB	
	Storage	1x2.5" SATA 3.0 +1 x mSATA					
I/O	Network (LAN)	2xIntel i210 1000Mbps RJ45 with surge protection					
	Audio	Realtek ALC662VD audio controller, support 5.1 channels					
	USB	4xUSB3.0					
	COM	2xRS232/RS485 with surge protection, RS485 support automatic flow control					
	Expansion Slot	1xMin-Pcie X1, Support 4G LTE/WIFI/BT with Sim card slot					
Power	Rear I/O	1xHDMI/2xGLAN/4xUSB/2xCOM/AUDIO/DC IN/Power Switch					
	Input Voltage	DC 9~36V					
Physical	Power	39W					
	Display Port	HDMI					
	Dimension (WxHxD)	(Keyboard bay not included) 512.7mm x 351.6mm x 130mm (20.19" x 13.84" x 5.12")					
	Net Weight(kg)	(Keyboard bay not included) 13.3kg					
LCD	Mounted	4460 or 48 arm-mounted					
	Display Type	19" SXGA TFT					
	Resolution	1280x1024					
	Colors	16.7M					
	Active Area (WxH/mm)	376.32mmx301.06mm (14.82"x11.85")					
	Backlight	LED					
	MTBF (hour)	30000hrs					
	Pixel Pitch (HxV)	0.294x0.294					
	Luminance(cd/m2)	250cd/m2					
	Contrast Ratio	1000:1					
Touchscreen	Viewing Angle	(L) 85/ (R) 85/ (U) 80/ (D) 80					
	Touch Type	Single point resistive touchscreen & Multi-point capacitive touchscreen & Non-touch screen					
	Light Transmission	>85%					
	Controller	USB interface					
	Driver Support	Windows7, WES7, Windows 10, Vxworks, Linux					
	Multi-touch	10 points					
Environment	Surface Hardness	Resistive touchscreen: Mohs' Number >= 3H; Capacitive touchscreen: Mohs' Number 7H					
	Operating Temperature	0~50°C					
	Storage Temperature	-20~60°C					
	Relative Humidity	5~95% (Non condensation)					
	Shock	Operating 10G peak acceleration(11 ms duration), follow IEC 60068-2-27					
	Vibration	Operating Random Vibration Test 5~500Hz, 1Grms@with HDD;2Grms@with SSD, follow IEC 60068-2-64					
EMC	CE/FCC Class A						
Front Panel Protection	IP65						

# IPC57190 & IPC58190 & IPC59190

## Technical Drawings unit: mm



## External I/O View



Note: The figure above shows the number of standard buttons  
The number and brand of buttons can be customized

## Ordering Information

Part Number	Description
IPC57190-6405K-4G-128G	19" TFT LCD / Non-touch screen / extend 5 buttons / DC9~36V input / Resolution 1280x1024 / J6412 / 4G RAM / 128G / mSATA / 2xLAN / 4xUSB / 1xHDMI
IPC58190-6405K-4G-128G	19" TFT LCD / Capacitive touch screen / extend 5 buttons / DC9~36V input / Resolution 1280x1024 / J6412 / 4G RAM / 128G / mSATA / 2xLAN / 4xUSB / 1xHDMI
IPC59190-6405K-4G-128G	19" TFT LCD / Resistive touch screen / extend 5 buttons / DC9~36V input / Resolution 1280x1024 / J6412 / 4G RAM / 128G / mSATA / 2xLAN / 4xUSB / 1xHDMI

## Optional Accessories

mSATA	128G / 256G / 512G / 1T
2.5" HDD	512G / 1T / 2T
RAM	4G / 8G / 16G / 32G

## Packing List

Terminal	3-pin terminal
Terminal	12-pin terminal
Terminal	24-pin terminal

Note: Package contents are subject to change without prior notice



Powerful. Beautiful.

**Excellence · Innovation**

IPC50215

IPC51215

IPC52215



\*front-screen button: the right side. widescreen button: the lower side

**Shanghai Panelmate Electronics Co., Ltd.**

21.5" FHD Industrial Arm-Mounted Operation Panel PC

**PANELMATE**  
Creative HMI Solution

# IPC50215 & IPC51215 & IPC52215

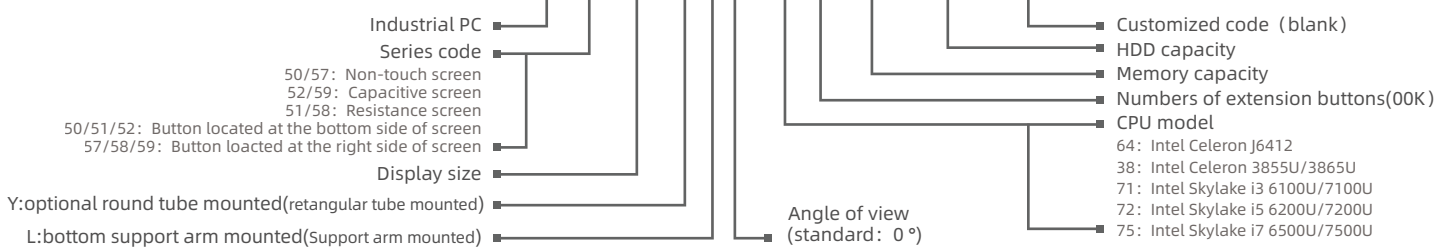


## Features

- Display type: 15", 15.6", 18.5", 19", 21.5"
- Front panel/back cover: Aluminium-magnesium alloy
- IP protection level: IP65
- Screen Type: Single point resistive touchscreen, Multi-point capacitive touchscreen, Non-touch screen
- OS: WinXP, Win7, Win10/Win11, WinCE, Linux
- Equipped with 2x Intel i210AT Gigabit network cards, 4x USB
- Processor: Intel Celeron J6412 (don't support Win XP, Win7) / 3855U / 3865U and Intel skylake i3/i5/i7 multiple CPU options
- DC 9~36V
- Extendable WIFI/4G

## Namely Rule

IPC5XXXX Y L X -xxxK-4G-128G-xxxx

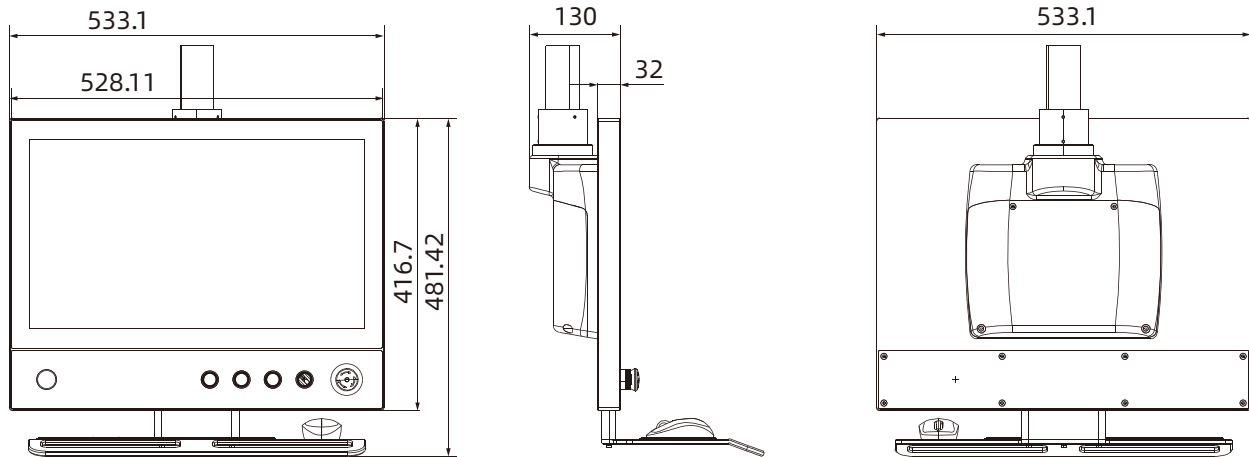


## Specifications

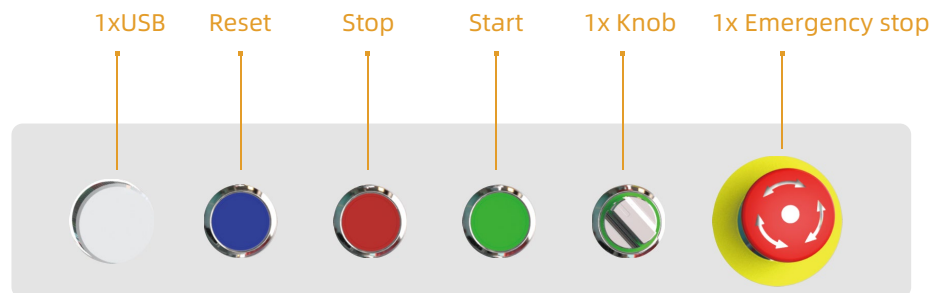
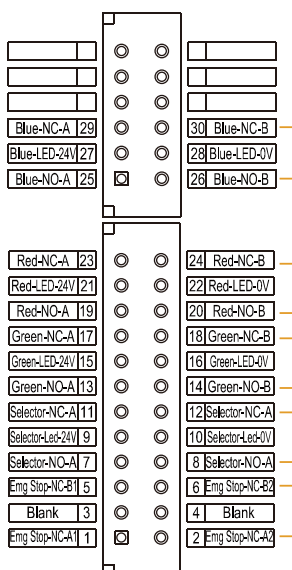
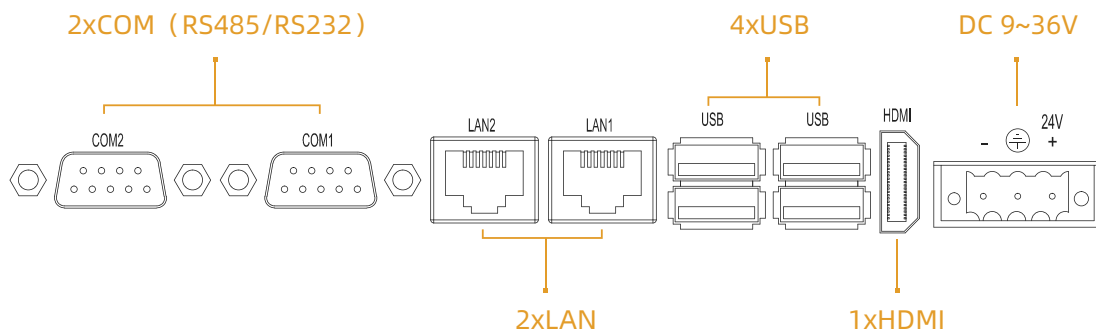
Model	IPC50215&IPC51215&IPC52215					
Processor	CPU	Intel®Celeron® processor J6412	Intel®Celeron® processor 3855U/3865	Intel®Core™i3 processor	Intel®Core™i5 processor	Intel®Core™i7 processor
	Frequency	Quad Core 2.0GHZ	Dual Core 1.6GHZ	Dual Core 2.3GHZ	Dual Core 2.8GHZ	Dual Core 3.1GHZ
	Cache	1.5MB	2MB	3MB	3MB	4MB
	Memory	DDR4 3200MT/s Max: 32GB	DDR4-1866/2133 Max: 32GB	DDR4-2133 Max: 32GB	DDR4-2133 Max: 32GB	DDR4-2133 Max: 32GB
	Storage	1x2.5" SATA 3.0 +1 x mSATA				
I/O	Network (LAN)	2x Intel i210 1000Mbps RJ45 with surge protection				
	Audio	Realtek ALC662VD audio controller, support 5.1 channels				
	USB	4x USB3.0				
	COM	2x RS232/RS485 with surge protection, RS485 support automatic flow control				
	Expansion Slot	1x Mini-PCIe X1, Support 4G LTE/WIFI/BT with Sim card slot				
Rear I/O	1x HDMI/2x GLAN/4x USB/2x COM/AUDIO/DC IN/Power Switch					
Power	Input Voltage	DC 9~36V				
	Power	45W				
Physical	Display Port	HDMI				
	Dimension (WxHxD)	(Keyboard bay not included) 533.1mm x 416.7mm x 130mm (20.99" x 16.41" x 5.12")				
	Net Weight(kg)	(Keyboard bay not included) 14.05kg				
	Mounted	4460 or 48 arm-mounted				
	Display Type	21.5" FHD TFT				
	Resolution	1920x1080				
	Colors	16.7M				
	Active Area (WxH/mm)	476.64mm x 268.11mm (18.77" x 10.56")				
	Backlight	LED				
LCD	MTBF (hour)	30000hrs				
	Pixel Pitch (HxV)	0.24825x0.24825				
	Luminance(cd/m2)	250cd/m2				
	Contrast Ratio	3000:1				
	Viewing Angle	(L) 89/ (R) 89/ (U) 89/ (D) 89				
	Touch Type	Single point resistive touchscreen & Multi-point capacitive touchscreen & Non-touch screen				
	Light Transmission	>85%				
	Controller	USB interface				
	Driver Support	Windows7, WES7, Windows 10, Vxworks, Linux				
Touchscreen	Multi-touch	10 points				
	Surface Hardness	Resistive touchscreen: Mohs' Number >= 3H; Capacitive touchscreen: Mohs' Number 7H				
	Operating Temperature	0~50°C				
	Storage Temperature	-20~60°C				
	Relative Humidity	5~95% (Non condensation)				
	Shock	Operating 10G peak acceleration(11 ms duration), follow IEC 60068-2-27				
	Vibration	Operating Random Vibration Test 5~500Hz, 1Grms@with HDD; 2Grms@with SSD, follow IEC 60068-2-64				
	EMC	CE/FCC Class A				
	Front Panel Protection	IP65				

# IPC50215 & IPC51215 & IPC52215

## Technical Drawings unit: mm



## External I/O View



Note: The figure above shows the number of standard buttons  
The number and brand of buttons can be customized

## Ordering Information

Part Number	Description
IPC50215-6405K-4G-128G	21.5" TFT LCD / Non-touch screen / extend 5 buttons / DC9~36V input / Resolution 1920x1080 / J6412 / 4G RAM / 128G / mSATA / 2xLAN / 4xUSB / 1xHDMI
IPC51215-6405K-4G-128G	21.5" TFT LCD / Capacitive touch screen / extend 5 buttons / DC9~36V input / Resolution 1920x1080 / J6412 / 4G RAM / 128G / mSATA / 2xLAN / 4xUSB / 1xHDMI
IPC52215-6405K-4G-128G	21.5" TFT LCD / Resistive touch screen / extend 5 buttons / DC9~36V input / Resolution 1920x1080 / J6412 / 4G RAM / 128G / mSATA / 2xLAN / 4xUSB / 1xHDMI

## Optional Accessories

mSATA	128G / 256G / 512G / 1T
2.5" HDD	512G / 1T / 2T
RAM	4G / 8G / 16G / 32G

## Packing List

Terminal	3-pin terminal
Terminal	12-pin terminal
Terminal	24-pin terminal

Note: Package contents are subject to change without prior notice