

Powerful. Beautiful.

## Excellence · Innovation

IDD57150

IDD58150

IDD59150



\*front-screen button: the right side. widescreen button: the lower side

# Shanghai Panelmate Electronics Co., Ltd.

15" XGA Industrial Arm-Mounted Operation Panel

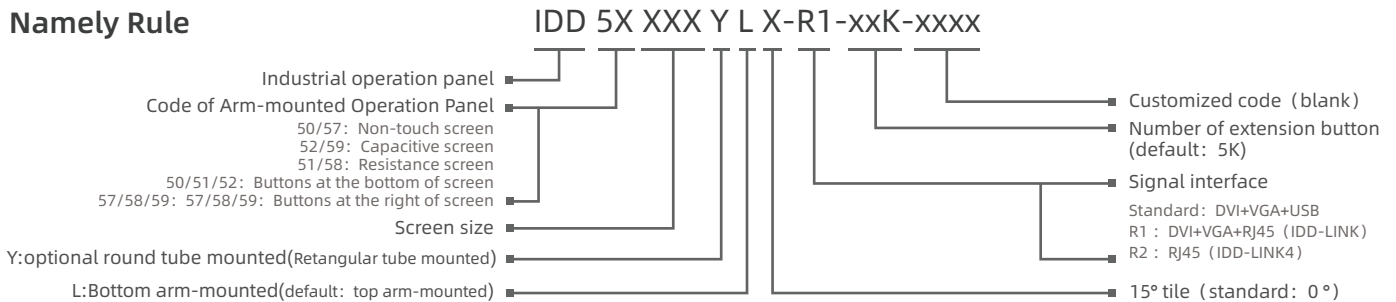
# IDD57150 & IDD58150 & IDD59150



## Features

- Display type: 15", 15.6", 18.5", 19", 21.5"
- Front panel/back cover: Aluminium-magnesium alloy
- IP protection level: IP65
- Screen Type: Single point resistive touchscreen, Multi-point capacitive touchscreen, Non-touch screen
- OS: WinXP, Win7, Win10/Win11, WinCE, Linux
- Interface: DVI, HDMI, VGA, 2xUSB
- Optional R1(IDD-LINK), Long distance USB signal output, support 50m
- Optional R2(IDD-LINK4), Video and USB are transmitted via a single CAT6 network cable, Transmission distance up to 100m
- DC 9~36V
- Customized LOGO and button

## Namely Rule

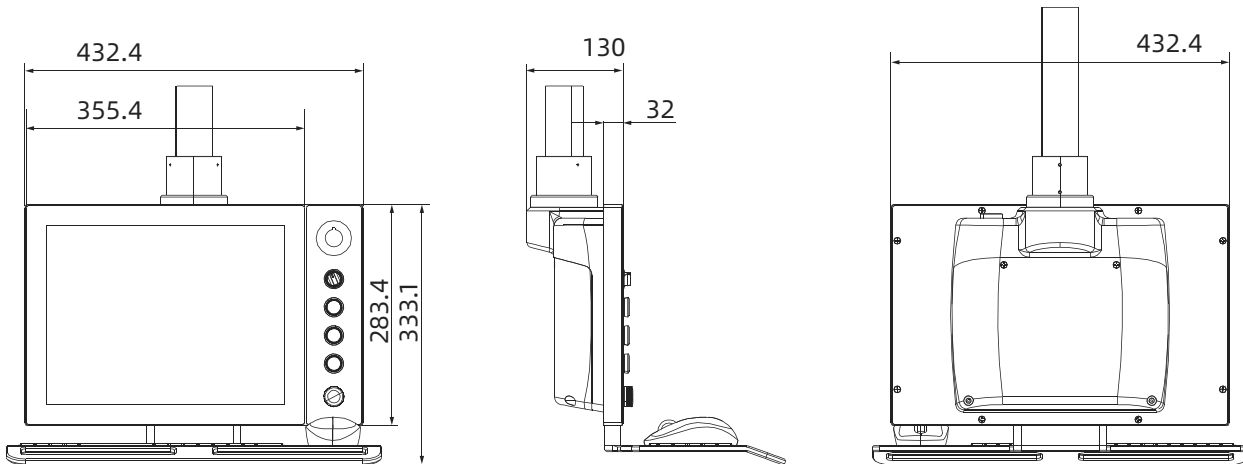


## Specifications

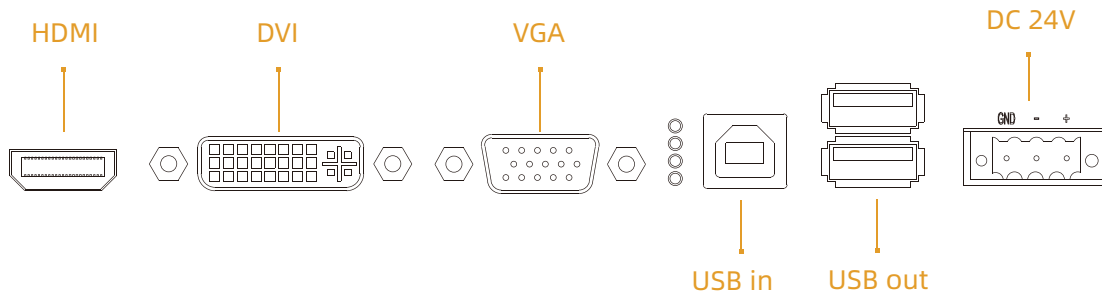
Model	IDD57150&IDD58150&IDD59150	
Routine	Control button	Set contrast ratio and luminance via OSD at the back cover
	Housing	Front panel & back cover: Aluminium-magnesium alloy, Grounding isolation protection
Power	Input Voltage	DC 9~36V
	Power	11W
Physical	Display Port	HDMI
	Dimension (WxHxD)	(Keyboard bay not included) 432.4mm x 283.4mm x 130mm (17.02" x 11.16" x 5.12")
	Net Weight(kg)	(Keyboard bay not included) 6.6kg
	Mounted	4460 or 48 arm-mounted
LCD	Display Type	15" XGA TFT
	Resolution	1024x768
	Colors	16.7M
	Active Area (WxH/mm)	304.1mm x 228.1mm (11.97" x 8.98")
	Backlight	LED
	MTBF (hour)	50000hrs
	Pixel Pitch (HxV)	0.297x0.297
	Luminance(cd/m2)	420cd/m2
	Contrast Ratio	1000:1
	Viewing Angle	(L) 80/ (R) 80/ (U) 80/ (D) 80
Touchscreen	Touch Type	Single point resistive touchscreen & Multi-point capacitive touchscreen & Non-touch screen
	Light Transmission	>85%
	Controller	USB interface
	Driver Support	Windows7, WES7, Windows 10, Vxworks, Linux
	Multi-touch	10 points
	Surface Hardness	Resistive touchscreen: Mohs' Number >= 3H; Capacitive touchscreen: Mohs' Number 7H
Environment	Operating Temperature	-10~65°C
	Storage Temperature	-20~70°C
	Relative Humidity	5~95% (Non condensation)
	Shock	Operating 10G peak acceleration(11 ms duration), follow IEC 60068-2-27
	Vibration	Operating Random Vibration Test 5~500Hz, 1Grms@with HDD; 2Grms@with SSD, follow IEC 60068-2-64
	EMC	CE/FCC Class A
	Front Panel Protection	IP65

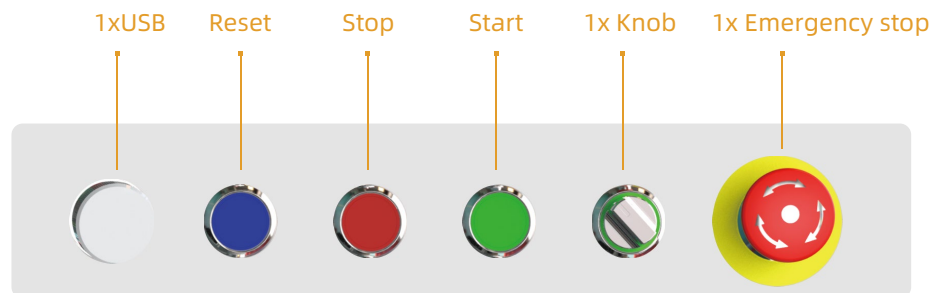
# IDD57150 & IDD58150 & IDD59150

## Technical Drawings unit: mm



## External I/O View



Note: The figure above shows the number of standard buttons  
The number and brand of buttons can be customized

## Ordering Information

Part Number	Description
IDD57150	15" TFT LCD / Resistive touch screen / DC9~36V Input / Resolution 1024x768
IDD58150	15" TFT LCD / Capacitive touch screen / DC9~36V Input / Resolution 1024x768
IDD59150	15" TFT LCD / Non-touch screen / DC9~36V Input / Resolution 1024x768

## Optional Accessories

VGA	VGA 3m / 5m
DVI	DVI 3m / 5m / 8m / 10m
USB	USB 3m / 5m / 10m
HDMI	HDMI 3m / 5m / 10m

## Packing List

Terminal	3 pin spring card terminal
----------	----------------------------

Note: Package contents are subject to change without prior notice