

Powerful. Beautiful.

Excellence · Innovation

IDD21104-R2

IDD22104-R2

IDD24104-R2



Shanghai Panelmate Electronics Co., Ltd.

10.4" SVGA Industrial Monitor(with KVM IDD-LINK4)

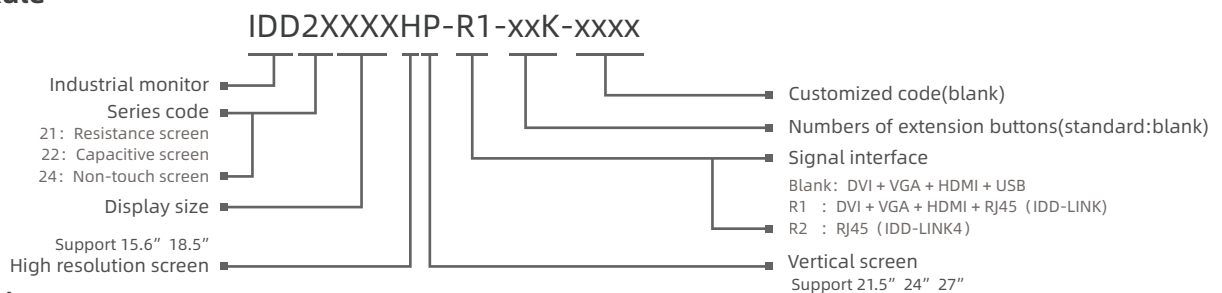
IDD21104-R2 & IDD22104-R2 & IDD24104-R2



Features

- Display type: 10.1", 10.4", 12.1", 12.2", 15", 15.6", 17", 18.5", 19", 21.5", 24", 27"
- Front panel/back cover: Aluminium-magnesium alloy
- Front panel/Rear: IP65 / IP20
- Screen Type: Multi-point capacitive touchscreen, Non-touch screen
- OS: Win XP, Win7, Win10/Win11, Win CE, LINUX
- Video and touch signals can use the IDD-LINK4 interface simultaneously or using HDMI and USB signals separately
notice: both cannot be used simultaneously
- DC 24V
- R1 (IDD-LINK) Long distance USB signal output, support 50m
- R2 (IDD-LINK4) Video and USB are transmitted via a single CAT6 network cable, Transmission distance up to 100m

Namely Rule

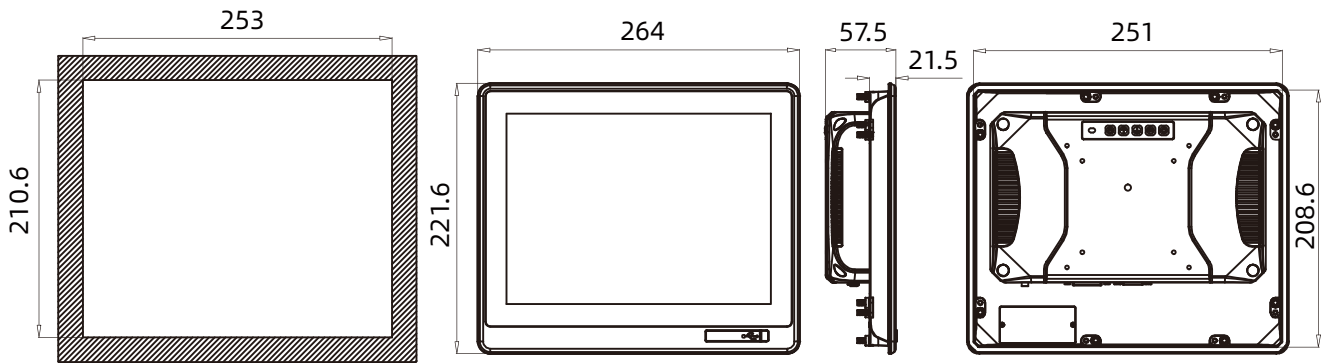


Specifications

Model	IDD21104-R2&IDD22104-R2&IDD24104-R2	
Routine	Control button	Set contrast ratio and luminance via OSD at the back cover
	Housing	Front panel & back cover: Aluminium-magnesium alloy, Grounding isolation protection
	Mounting	Embedded, Wall-mounted, VESA, Desktop
	Rear I/O	IDD-LINK4 (or HDMI interface) <i>notice: both cannot be used simultaneously</i>
Power	Input Voltage	DC 24V
	Power	15W
Physical	Dimension (WxHxD/mm)	264 x 221.6 x 57.5 (10.39" x 8.72" x 2.26")
	Open Size (WxH/mm)	253 x 210.6 (9.96" x 8.29")
	Net Weight(kg)	2.1kg
LCD	Display type	10.4" SVGA TFT
	Resolution	800 x 600
	Colors	16.7M
	Active Area (WxH/mm)	211.2 x 158.4 (8.31" x 6.24")
	Backlight	LED
	MTBF(Hour)	30000hrs
	Pixel Pitch (HxV)	0.2063x0.2063
	Luminance(cd/m2)	350
	Contrast Ratio	900:1
	Viewing Angle	(L)75 / (R)75 / (U)75 / (D)75
Touchscreen	Touch Type	Single point resistive touchscreen & Multi-point capacitive touchscreen & Non-touch screen
	Light Transmission	>85%
	Controller	USB interface
	Driver Support	Windows XP, Windows 7, Windows 8, Windows 10/11, Linux, CE
	Multi-touch	10 points
Environment	Surface Hardness	Resistive touchscreen: Mohs' Number \geq 3H; Capacitive touchscreen: Mohs' Number 7H
	Operating Temperature	-20 ~ 70°C
	Storage Temperature	-20 ~ 70°C
	Relative Humidity	5 ~ 95% (Non condensation)
	Shock	Operating 10G peak acceleration(11 ms duration), follow IEC 60068-2-27
	Vibration	Operating Random Vibration Test 5~500Hz, 1Grms@with HDD; 2Grms@with SSD, follow IEC 60068-2-64
	EMC	CE/FCC Class A
	Front Panel Protection	Front panel IP65 compliant

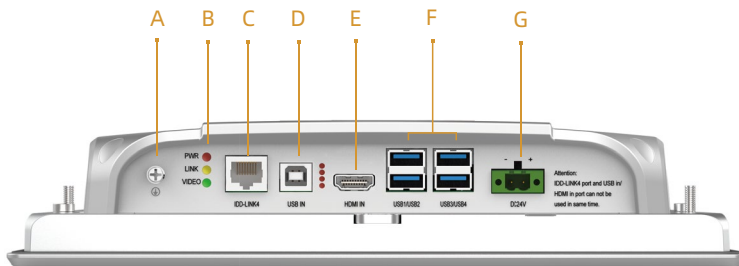
IDD21104-R2 & IDD22104-R2 & IDD24104-R2

Technical Drawings unit: mm



Panel Cutout Dimensions: 253 x 210.6mm (9.96 x 8.29in)

External I/O View



***Notice:** The ports of IDD-LINK4 and USB input/HDMI cannot be used simultaneously.

Interface definition:

- A: GND
- B: Indicator Light: PWR/LINK/VIDEO
- C: IDD-LINK4
- D: USB input
- E: HDMI
- F: USB output
- G: DC 24V

Ordering Information

Part Number	Description
IDD21104-R2	10.4" TFT LCD / Resistive touch screen / DC24V Input / Resolution 800x600
IDD22104-R2	10.4" TFT LCD / Capacitive touch screen / DC24V Input/ Resolution 800x600
IDD24104-R2	10.4" TFT LCD / Non-touch screen / DC24V Input/ Resolution 800x600

Optional Accessories

Network cable	5m / 10m / 15m / 20m
DVI	1.5m / 2m / 3m / 5m
USB	1.5m / 2m / 3m / 5m
DP to DVI	1m / 1.5m / 2m / 3m / 5m
HDMI to DVI	1m / 1.5m / 2m / 3m / 5m

Packing List

Terminal	2 pin spring clamp terminal
----------	-----------------------------

Note: Package contents are subject to change without prior notice