

Powerful. Beautiful.

## Excellence · Innovation

IDD57150

IDD58150

IDD59150



\*front-screen button: the right side. widescreen button: the lower side

# Shanghai Panelmate Electronics Co., Ltd.

15" XGA Industrial Arm-Mounted Operation Panel

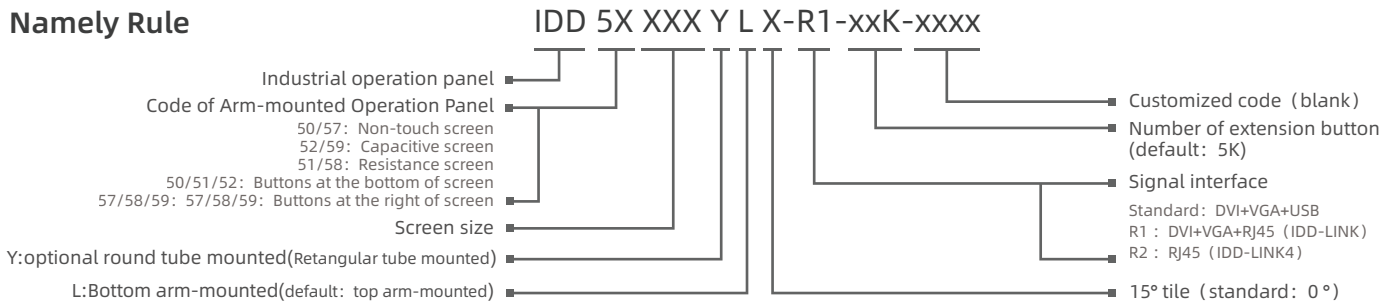
## IDD57150 & IDD58150 & IDD59150



### Features

- Display type: 15", 15.6", 18.5", 19", 21.5"
- Front panel/back cover: Aluminium-magnesium alloy
- IP protection level: IP65
- Screen Type: Single point resistive touchscreen, Multi-point capacitive touchscreen, Non-touch screen
- OS: WinXP, Win7, Win10/Win11, WinCE, Linux
- Interface: DVI, HDMI, VGA, 2xUSB
- Optional R1(IDD-LINK), Long distance USB signal output, support 50m
- Optional R2(IDD-LINK4), Video and USB are transmitted via a single CAT6 network cable, Transmission distance up to 100m
- DC 9~36V
- Customized LOGO and button

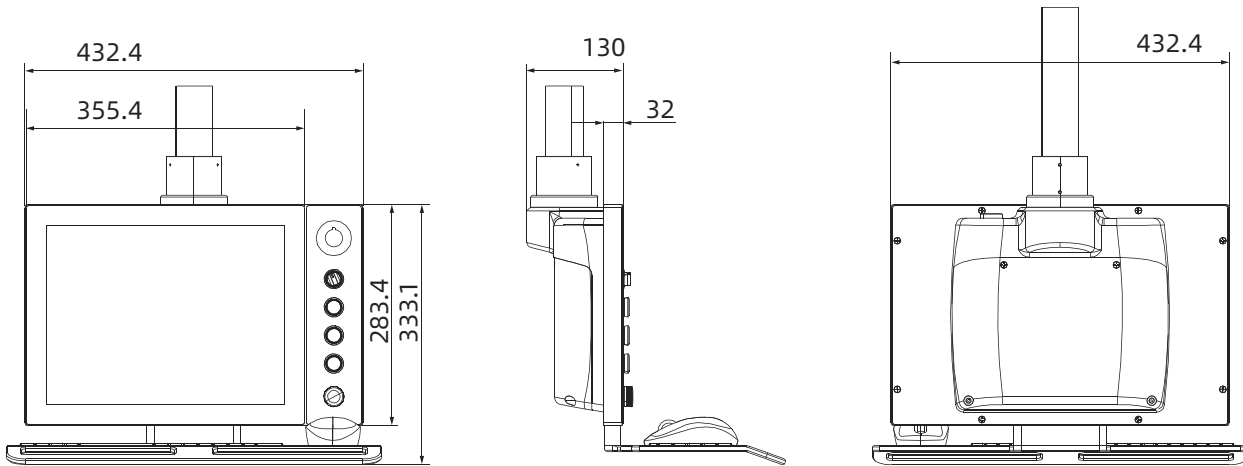
### Namely Rule



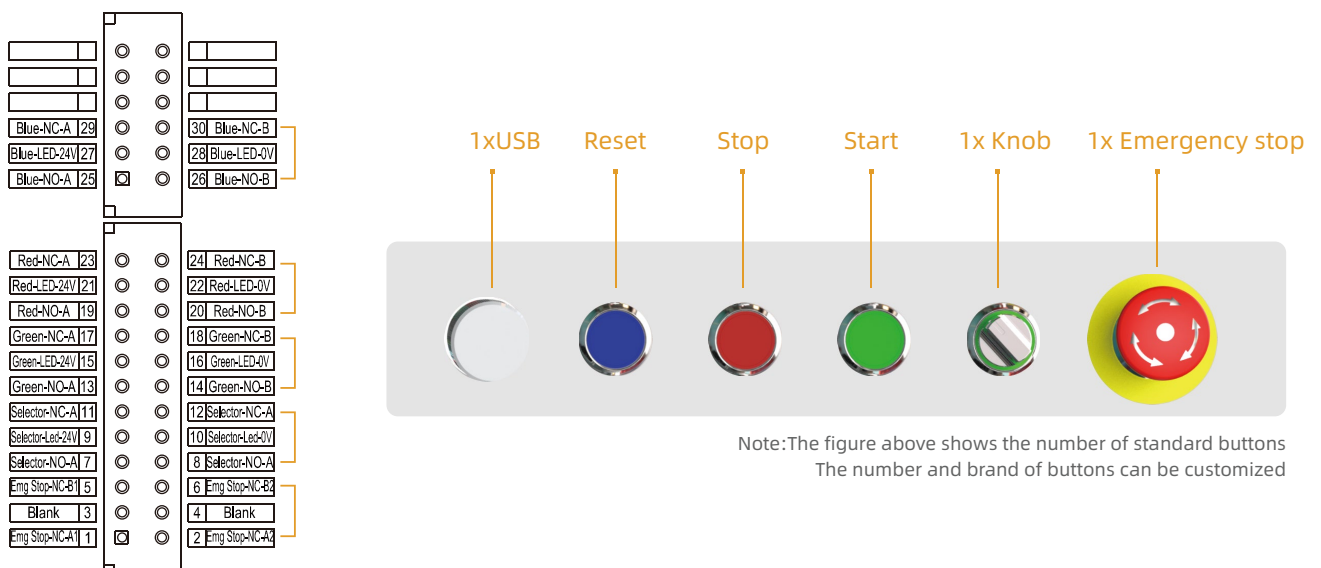
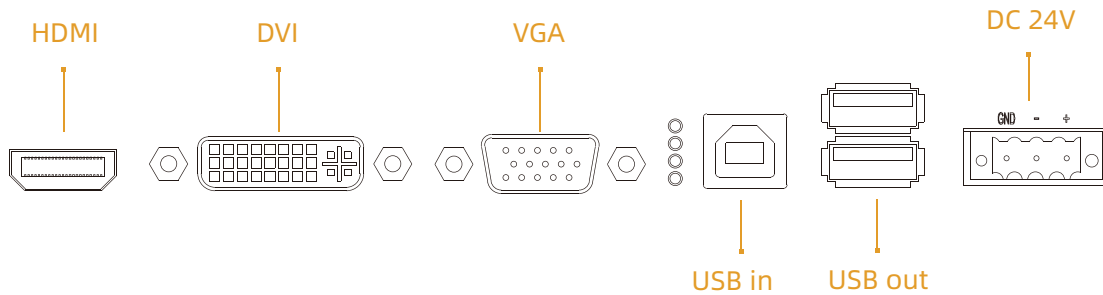
### Specifications

Model	IDD57150&IDD58150&IDD59150	
Routine	Control button	Set contrast ratio and luminance via OSD at the back cover
	Housing	Front panel & back cover: Aluminium-magnesium alloy, Grounding isolation protection
Power	Input Voltage	DC 9~36V
	Power	11W
Physical	Display Port	HDMI
	Dimension (WxHxD)	(Keyboard bay not included) 432.4mm x 283.4mm x 130mm (17.02" x 11.16" x 5.12")
	Net Weight(kg)	(Keyboard bay not included) 6.6kg
	Mounted	4460 or 48 arm-mounted
LCD	Display Type	15" XGA TFT
	Resolution	1024x768
	Colors	16.7M
	Active Area (WxH/mm)	304.1mm x 228.1mm (11.97" x 8.98")
	Backlight	LED
	MTBF (hour)	50000hrs
	Pixel Pitch (HxV)	0.297x0.297
	Luminance(cd/m2)	420cd/m2
	Contrast Ratio	1000:1
	Viewing Angle	(L) 80/ (R) 80/ (U) 80/ (D) 80
Touchscreen	Touch Type	Single point resistive touchscreen & Multi-point capacitive touchscreen & Non-touch screen
	Light Transmission	>85%
	Controller	USB interface
	Driver Support	Windows7, WSE7, Windows 10, Vxworks, Linux
	Multi-touch	10 points
	Surface Hardness	Resistive touchscreen: Mohs' Number >= 3H; Capacitive touchscreen: Mohs' Number 7H
Environment	Operating Temperature	-10~65°C
	Storage Temperature	-20~70°C
	Relative Humidity	5~95% (Non condensation)
	Shock	Operating 10G peak acceleration(11 ms duration), follow IEC 60068-2-27
	Vibration	Operating Random Vibration Test 5~500Hz, 1Grms@with HDD; 2Grms@with SSD, follow IEC 60068-2-64
	EMC	CE/FCC Class A
	Front Panel Protection	IP65

## Technical Drawings unit: mm



## External I/O View



Note: The figure above shows the number of standard buttons. The number and brand of buttons can be customized.

## Ordering Information

Part Number	Description
IDD57150	15" TFT LCD / Resistive touch screen / DC9~36V Input / Resolution 1024x768
IDD58150	15" TFT LCD / Capacitive touch screen / DC9~36V Input / Resolution 1024x768
IDD59150	15" TFT LCD / Non-touch screen / DC9~36V Input / Resolution 1024x768

## Optional Accessories

VGA	VGA 3m / 5m
DVI	DVI 3m / 5m / 8m / 10m
USB	USB 3m / 5m / 10m
HDMI	HDMI 3m / 5m / 10m

## Packing List

Terminal	3 pin spring card terminal
----------	----------------------------

Note: Package contents are subject to change without prior notice

Powerful. Beautiful.

**Excellence · Innovation**

IDD50156

IDD51156

IDD52156



\*front-screen button: the right side. widescreen button: the lower side

**Shanghai Panelmate Electronics Co., Ltd.**

15.6" WXGA Industrial Arm-Mounted Operation Panel

**PANELMATE**  
Creative HMI Solution

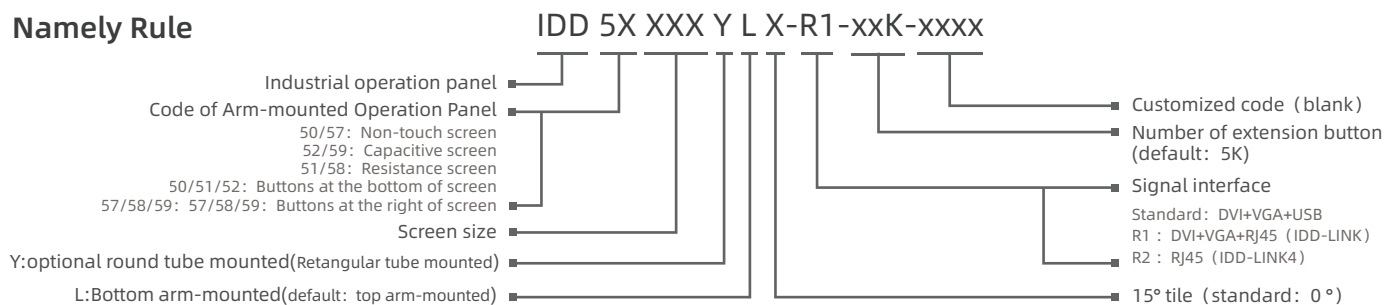
# IDD50156 & IDD51156 & IDD52156



## Features

- Display type: 15", 15.6", 18.5", 19", 21.5"
- Front panel/back cover: Aluminium-magnesium alloy
- IP protection level: IP65
- Screen Type: Single point resistive touchscreen, Multi-point capacitive touchscreen, Non-touch screen
- OS: WinXP, Win7, Win10/Win11, WinCE, Linux
- Interface: DVI, HDMI, VGA, 2xUSB
- Optional R1(IDD-LINK), Long distance USB signal output, support 50m
- Optional R2(IDD-LINK4), Video and USB are transmitted via a single CAT6 network cable, Transmission distance up to 100m
- DC 9~36V
- Customized LOGO and button

## Namely Rule

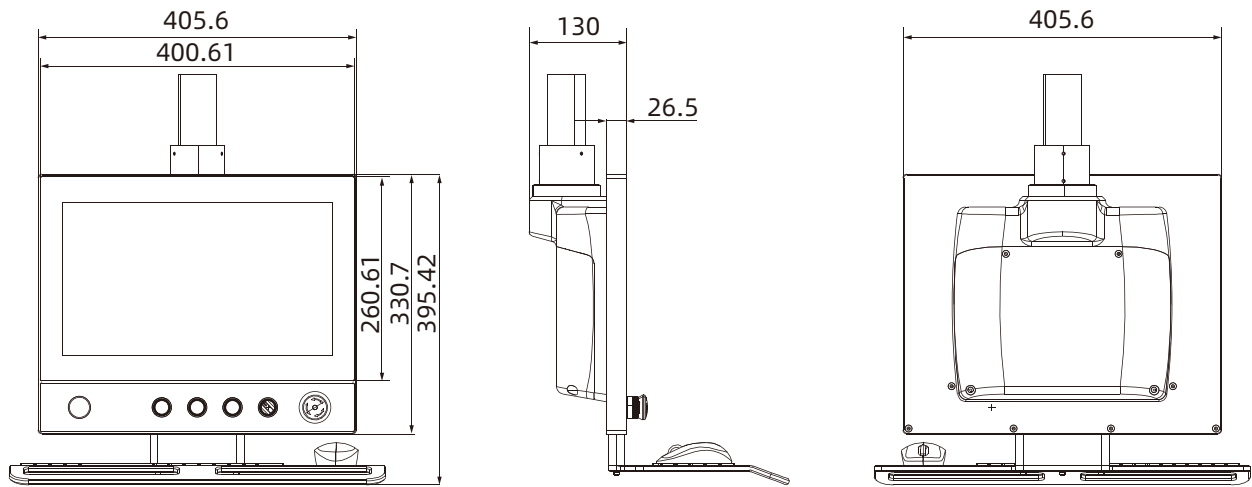


## Specifications

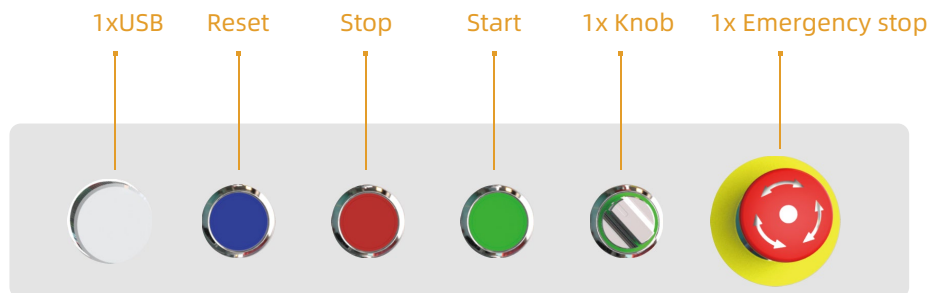
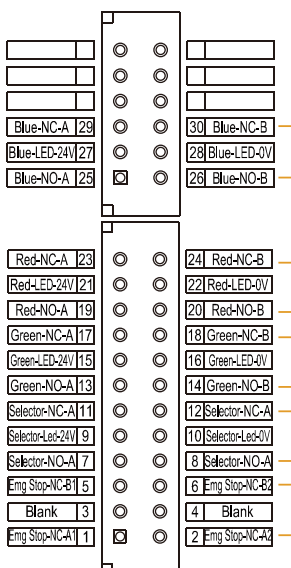
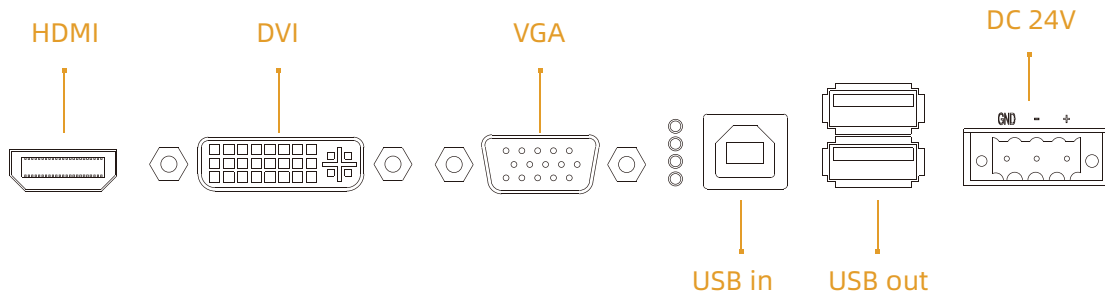
Model	IDD57156&IDD58156&IDD59156	
<b>Routine</b>	Control button	Set contrast ratio and luminance via OSD at the back cover
	Housing	Front panel & back cover: Aluminium-magnesium alloy, Grounding isolation protection
<b>Power</b>	Input Voltage	DC 9~36V
	Power	18W
<b>Physical</b>	Display Port	HDMI
	Dimension (WxHxD)	(Keyboard bay not included) 405.6mm x 330.7mm x 130mm (15.97" x 13.02" x 5.12")
	Net Weight(kg)	(Keyboard bay not included) 6.75kg
	Mounted	4460 or 48 arm-mounted
<b>LCD</b>	Display Type	15.6" WXGA TFT
	Resolution	1366x768
	Colors	16.7M
	Active Area (WxH/mm)	344.23mmx193.54mm (13.55"x7.62")
	Backlight	LED
	MTBF (hour)	50000hrs
	Pixel Pitch (HxV)	0.252x0.252
	Luminance(cd/m2)	300cd/m2
	Contrast Ratio	500:1
	Viewing Angle	(L) 85/ (R) 85/ (U) 85/ (D) 85
<b>Touchscreen</b>	Touch Type	Single point resistive touchscreen & Multi-point capacitive touchscreen & Non-touch screen
	Light Transmission	>85%
	Controller	USB interface
	Driver Support	Windows7, WSE7, Windows 10, Vxworks, Linux
	Multi-touch	10 points
	Surface Hardness	Resistive touchscreen: Mohs' Number >= 3H; Capacitive touchscreen: Mohs' Number 7H
<b>Environment</b>	Operating Temperature	0~60°C
	Storage Temperature	-20~60°C
	Relative Humidity	5~95% (Non condensation)
	Shock	Operating 10G peak acceleration(11 ms duration), follow IEC 60068-2-27
	Vibration	Operating Random Vibration Test 5~500Hz, 1Grms@with HDD; 2Grms@with SSD, follow IEC 60068-2-64
	EMC	CE/FCC Class A
Front Panel Protection	IP65	

# IDD50156 & IDD51156 & IDD52156

## Technical Drawings unit: mm



## External I/O View



Note: The figure above shows the number of standard buttons. The number and brand of buttons can be customized.

## Ordering Information

Part Number	Description
IDD57156	15.6" TFT LCD / Resistive touch screen / DC9~36V Input / Resolution 1366x768
IDD58156	15.6" TFT LCD / Capacitive touch screen / DC9~36V Input / Resolution 1366x768
IDD59156	15.6" TFT LCD / Non-touch screen / DC9~36V Input / Resolution 1366x768

## Optional Accessories

VGA	VGA 3m / 5m
DVI	DVI 3m / 5m / 8m / 10m
USB	USB 3m / 5m / 10m
HDMI	HDMI 3m / 5m / 10m

## Packing List

Terminal	3 pin spring card terminal
----------	----------------------------

Note: Package contents are subject to change without prior notice



Powerful. Beautiful.

## Excellence · Innovation

IDD50185

IDD51185

IDD52185



\*front-screen button: the right side. widescreen button: the lower side

# Shanghai Panelmate Electronics Co., Ltd.

18.5" WXGA Industrial Arm-Mounted Operation Panel

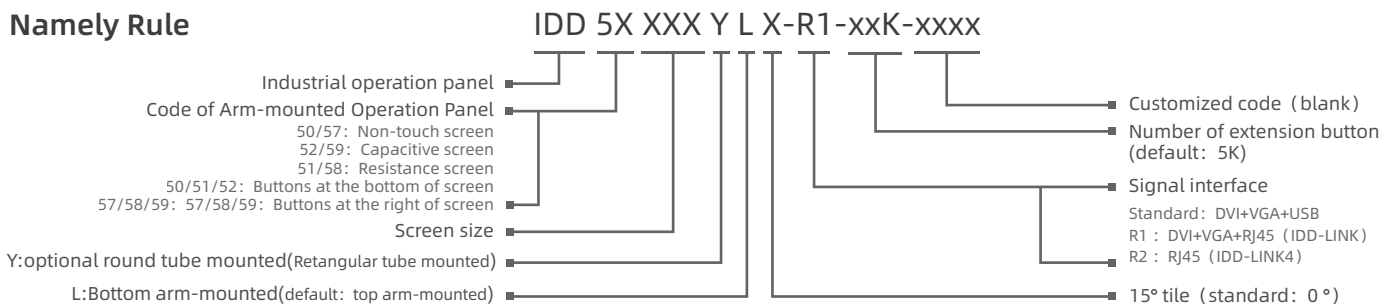
# IDD50185 & IDD51185 & IDD52185



## Features

- Display type: 15", 15.6", 18.5", 19", 21.5"
- Front panel/back cover: Aluminium-magnesium alloy
- IP protection level: IP65
- Screen Type: Single point resistive touchscreen, Multi-point capacitive touchscreen, Non-touch screen
- OS: WinXP, Win7, Win10/Win11, WinCE, Linux
- Interface: DVI, HDMI, VGA, 2xUSB
- Optional R1(IDD-LINK), Long distance USB signal output, support 50m
- Optional R2(IDD-LINK4), Video and USB are transmitted via a single CAT6 network cable, Transmission distance up to 100m
- DC 9~36V
- Customized LOGO and button

## Namely Rule

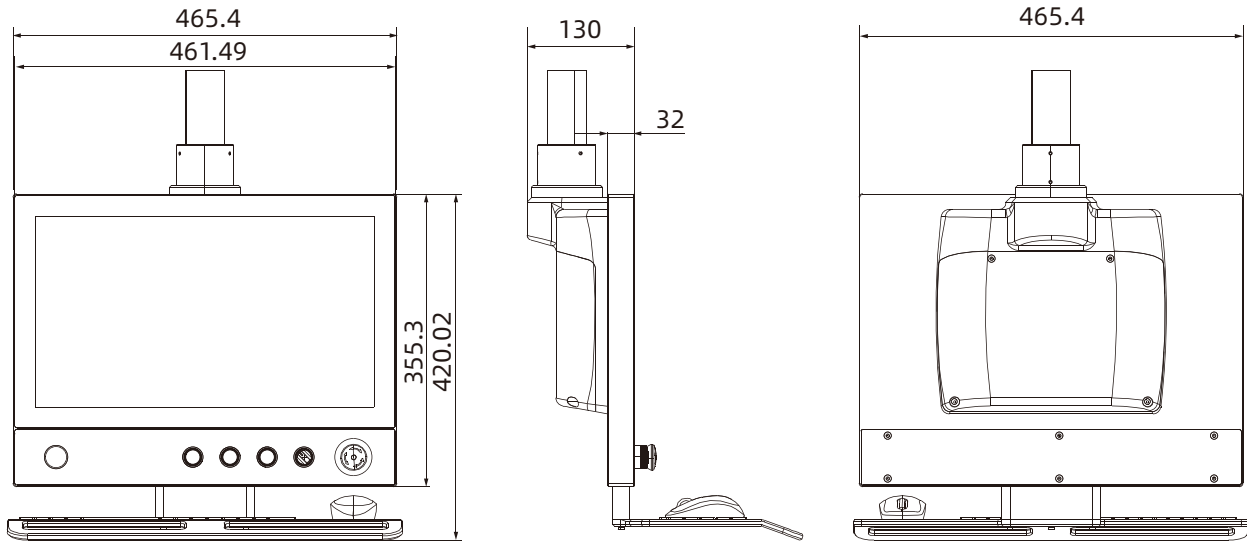


## Specifications

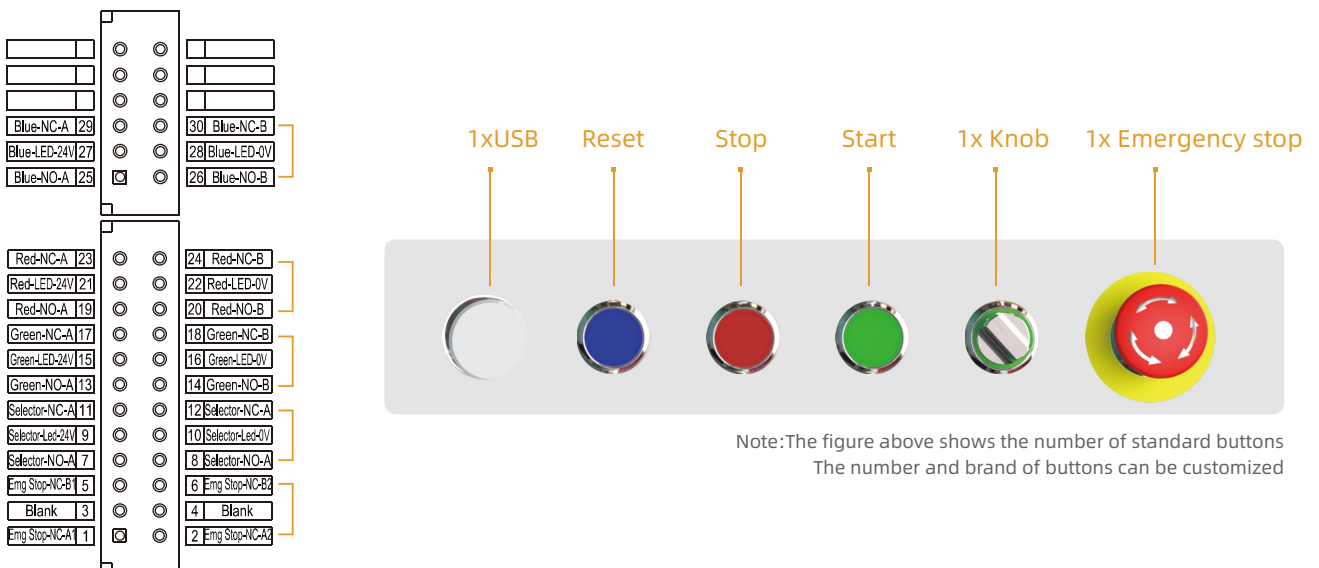
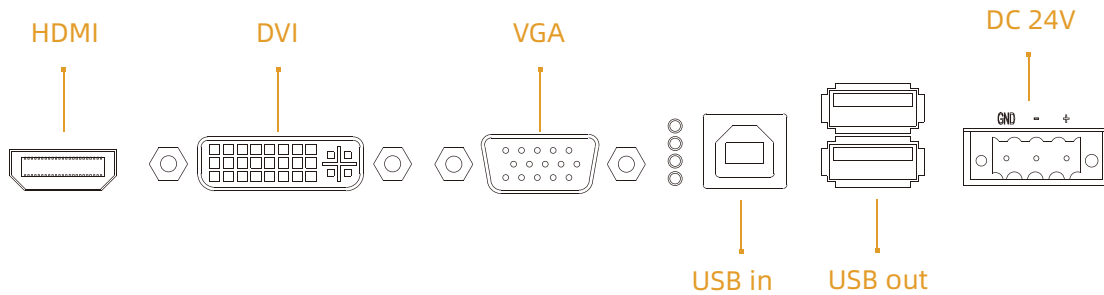
Model	IDD57185&IDD58185&IDD59185	
Routine	Control button	Set contrast ratio and luminance via OSD at the back cover
	Housing	Front panel & back cover: Aluminium-magnesium alloy, Grounding isolation protection
Power	Input Voltage	DC 9~36V
	Power	16W
Physical	Display Port	HDMI
	Dimension (WxHxD)	(Keyboard bay not included) 465.4mm x 355.3mm x 130mm (18.32" x 13.99" x 5.12")
	Net Weight(kg)	(Keyboard bay not included) 9.15kg
	Mounted	4460 or 48 arm-mounted
LCD	Display Type	18.5" WXGA TFT
	Resolution	1366x768
	Colors	16.7M
	Active Area (WxH/mm)	409.8mmx230.4mm (16.13"x9.07")
	Backlight	LED
	MTBF (hour)	30000hrs
	Pixel Pitch (HxV)	0.3x0.3
	Luminance(cd/m2)	500cd/m2
	Contrast Ratio	1000:1
	Viewing Angle	(L) 89/ (R) 89/ (U) 89/ (D) 89
Touchscreen	Touch Type	Single point resistive touchscreen & Multi-point capacitive touchscreen & Non-touch screen
	Light Transmission	>85%
	Controller	USB interface
	Driver Support	Windows7, WSE7, Windows 10, Vxworks, Linux
	Multi-touch	10 points
	Surface Hardness	Resistive touchscreen: Mohs' Number >= 3H; Capacitive touchscreen: Mohs' Number 7H
Environment	Operating Temperature	0~50°C
	Storage Temperature	-20~60°C
	Relative Humidity	5~95% (Non condensation)
	Shock	Operating 10G peak acceleration(11 ms duration), follow IEC 60068-2-27
	Vibration	Operating Random Vibration Test 5~500Hz, 1Grms@with HDD; 2Grms@with SSD, follow IEC 60068-2-64
	EMC	CE/FCC Class A
	Front Panel Protection	IP65

**IDD50185 & IDD51185 & IDD52185**

**Technical Drawings** unit: mm



**External I/O View**



Note: The figure above shows the number of standard buttons. The number and brand of buttons can be customized.

## Ordering Information

Part Number	Description
IDD57185	18.5" TFT LCD / Resistive touch screen / DC9~36V Input / Resolution 1366x768
IDD58185	18.5" TFT LCD / Capacitive touch screen / DC9~36V Input / Resolution 1366x768
IDD59185	18.5" TFT LCD / Non-touch screen / DC9~36V Input / Resolution 1366x768

## Optional Accessories

VGA	VGA 3m / 5m
DVI	DVI 3m / 5m / 8m / 10m
USB	USB 3m / 5m / 10m
HDMI	HDMI 3m / 5m / 10m

## Packing List

Terminal	3 pin spring card terminal
----------	----------------------------

Note: Package contents are subject to change without prior notice

Powerful. Beautiful.

## Excellence · Innovation

IDD57190

IDD58190

IDD59190



\*front-screen button: the right side. widescreen button: the lower side

# Shanghai Panelmate Electronics Co., Ltd.

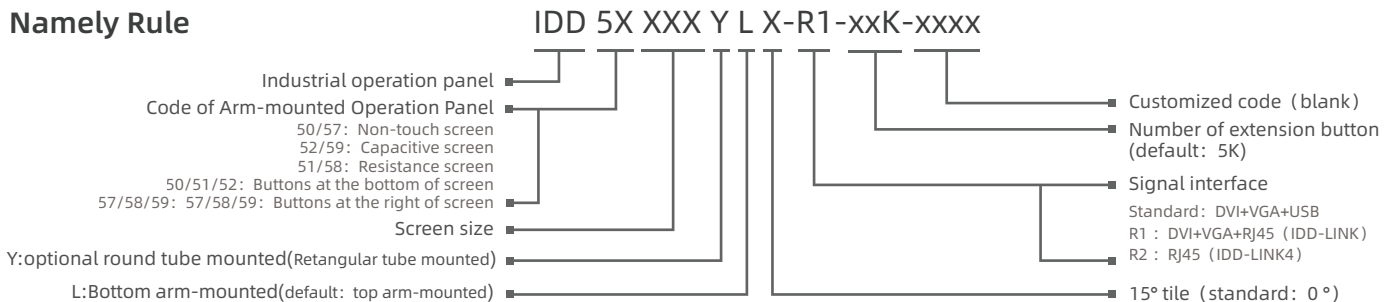
19" SXGA Industrial Arm-Mounted Operation Panel



## Features

- Display type: 15", 15.6", 18.5", 19", 21.5"
- Front panel/back cover: Aluminium-magnesium alloy
- IP protection level: IP65
- Screen Type: Single point resistive touchscreen, Multi-point capacitive touchscreen, Non-touch screen
- OS: WinXP, Win7, Win10/Win11, WinCE, Linux
- Interface: DVI, HDMI, VGA, 2xUSB
- Optional R1(IDD-LINK), Long distance USB signal output, support 50m
- Optional R2(IDD-LINK4), Video and USB are transmitted via a single CAT6 network cable, Transmission distance up to 100m
- DC 9~36V
- Customized LOGO and button

## Namely Rule

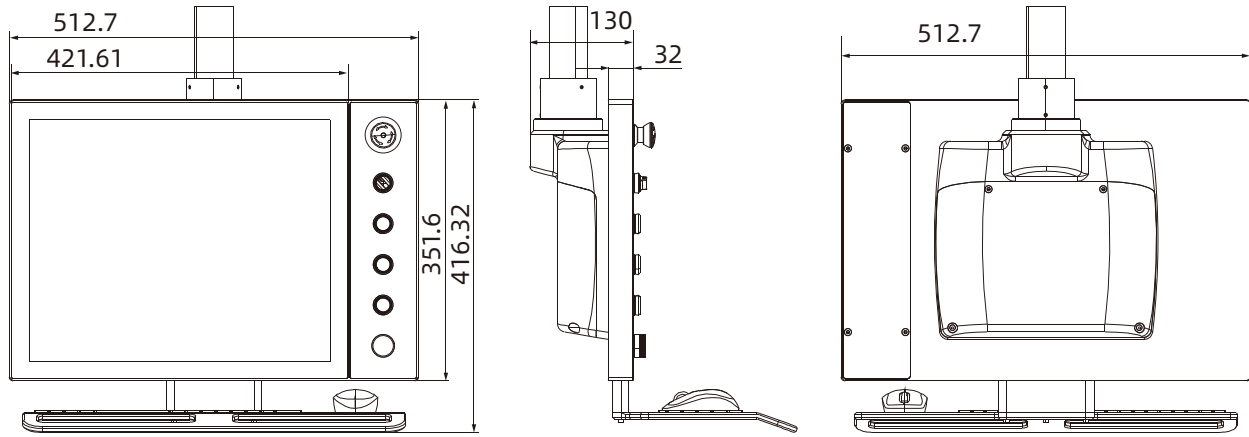


## Specifications

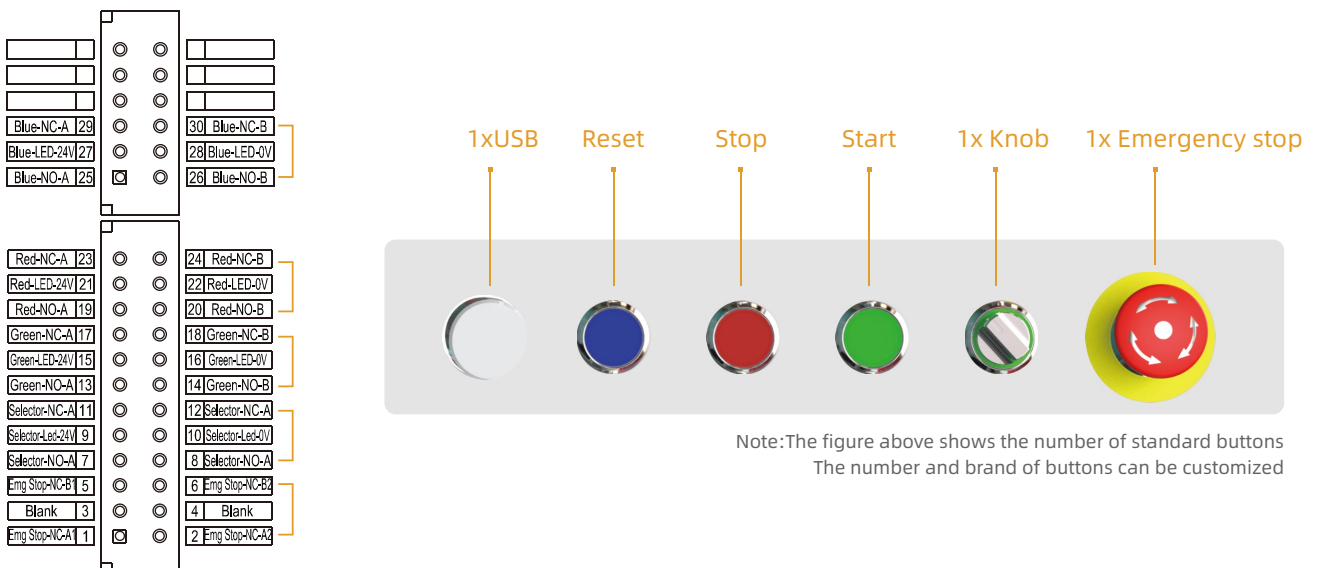
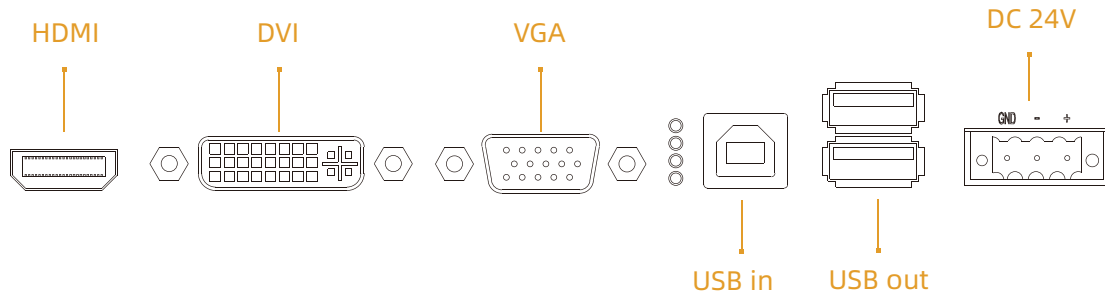
Model	IDD57190&IDD58190&IDD59190	
Routine	Control button	Set contrast ratio and luminance via OSD at the back cover
	Housing	Front panel & back cover: Aluminium-magnesium alloy, Grounding isolation protection
Power	Input Voltage	DC 9~36V
	Power	14 W
Physical	Display Port	HDMI
	Dimension (WxHxD)	(Keyboard bay not included) 512.7mm x 351.6mm x 130mm (20.19" x 13.84" x 5.12")
	Net Weight(kg)	(Keyboard bay not included) 9.95kg
	Mounted	4460 or 48 arm-mounted
LCD	Display Type	19" SXGA TFT
	Resolution	1280x1024
	Colors	16.7M
	Active Area (WxH/mm)	376.32mmx301.06mm (14.82"x11.85")
	Backlight	LED
	MTBF (hour)	30000hrs
	Pixel Pitch (HxV)	0.294x0.294
	Luminance(cd/m2)	250cd/m2
	Contrast Ratio	1000:1
	Viewing Angle	(L) 85/ (R) 85/ (U) 80/ (D) 80
Touchscreen	Touch Type	Single point resistive touchscreen & Multi-point capacitive touchscreen & Non-touch screen
	Light Transmission	>85%
	Controller	USB interface
	Driver Support	Windows7, WSE7, Windows 10, Vxworks, Linux
	Multi-touch	10 points
	Surface Hardness	Resistive touchscreen: Mohs' Number >= 3H; Capacitive touchscreen: Mohs' Number 7H
Environment	Operating Temperature	0~50°C
	Storage Temperature	-20~60°C
	Relative Humidity	5~95% (Non condensation)
	Shock	Operating 10G peak acceleration(11 ms duration), follow IEC 60068-2-27
	Vibration	Operating Random Vibration Test 5~500Hz, 1Grms@with HDD; 2Grms@with SSD, follow IEC 60068-2-64
	EMC	CE/FCC Class A
Front Panel Protection	IP65	

# IDD57190 & IDD58190 & IDD59190

## Technical Drawings unit: mm



## External I/O View



Note: The figure above shows the number of standard buttons. The number and brand of buttons can be customized.

## Ordering Information

Part Number	Description
IDD57190	19" TFT LCD / Resistive touch screen / DC9~36V Input / Resolution 1280x1024
IDD58190	19" TFT LCD / Capacitive touch screen / DC9~36V Input / Resolution 1280x1024
IDD59190	19" TFT LCD / Non-touch screen / DC9~36V Input / Resolution 1280x1024

## Optional Accessories

VGA	VGA 3m / 5m
DVI	DVI 3m / 5m / 8m / 10m
USB	USB 3m / 5m / 10m
HDMI	HDMI 3m / 5m / 10m

## Packing List

Terminal	3 pin spring card terminal
----------	----------------------------

Note: Package contents are subject to change without prior notice



Powerful. Beautiful.

**Excellence · Innovation**

IDD50215

IDD51215

IDD52215



\*front-screen button: the right side. widescreen button: the lower side

**Shanghai Panelmate Electronics Co., Ltd.**

21.5" FHD Industrial Arm-Mounted Operation Panel

**PANELMATE**  
Creative HMI Solution

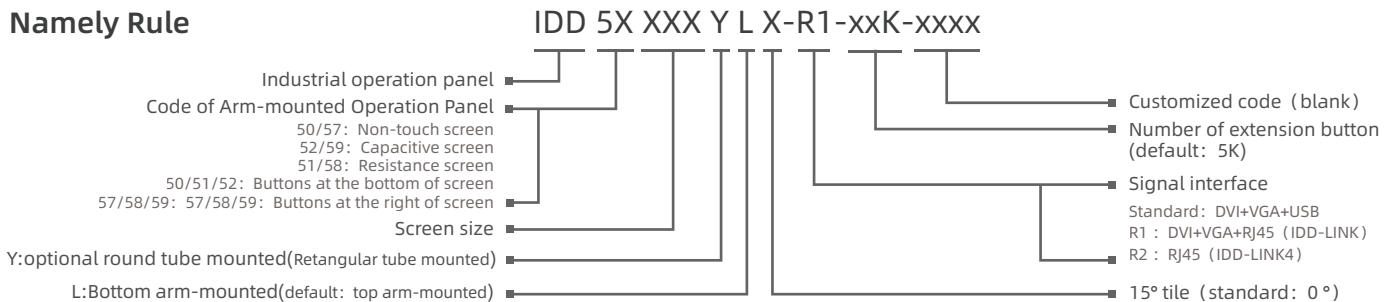
# IDD50215 & IDD51215 & IDD52215



## Features

- Display type: 15", 15.6", 18.5", 19", 21.5"
- Front panel/back cover: Aluminium-magnesium alloy
- IP protection level: IP65
- Screen Type: Single point resistive touchscreen, Multi-point capacitive touchscreen, Non-touch screen
- OS: WinXP, Win7, Win10/Win11, WinCE, Linux
- Interface: DVI, HDMI, VGA, 2xUSB
- Optional R1(IDD-LINK), Long distance USB signal output, support 50m
- Optional R2(IDD-LINK4), Video and USB are transmitted via a single CAT6 network cable, Transmission distance up to 100m
- DC 9~36V
- Customized LOGO and button

## Namely Rule

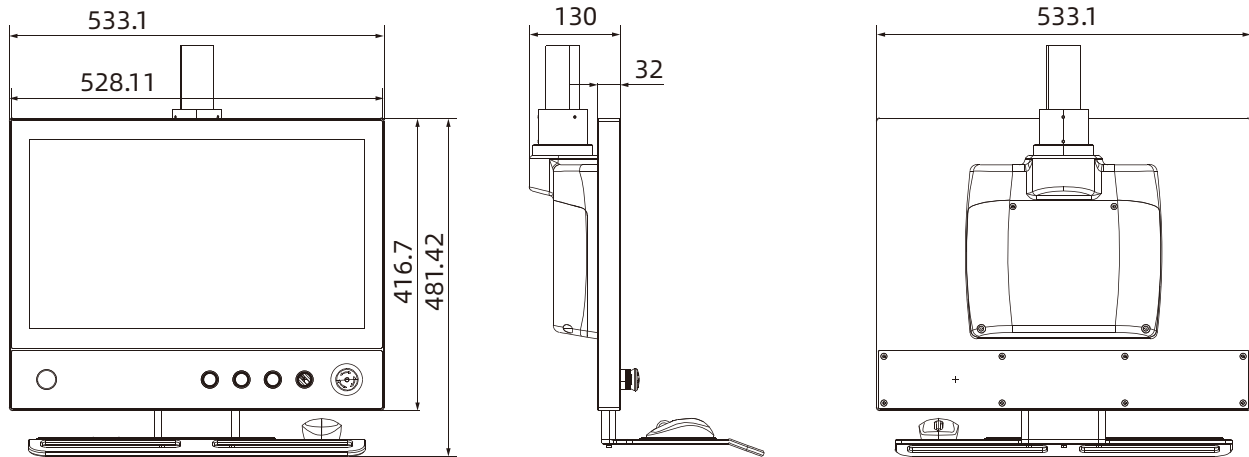


## Specifications

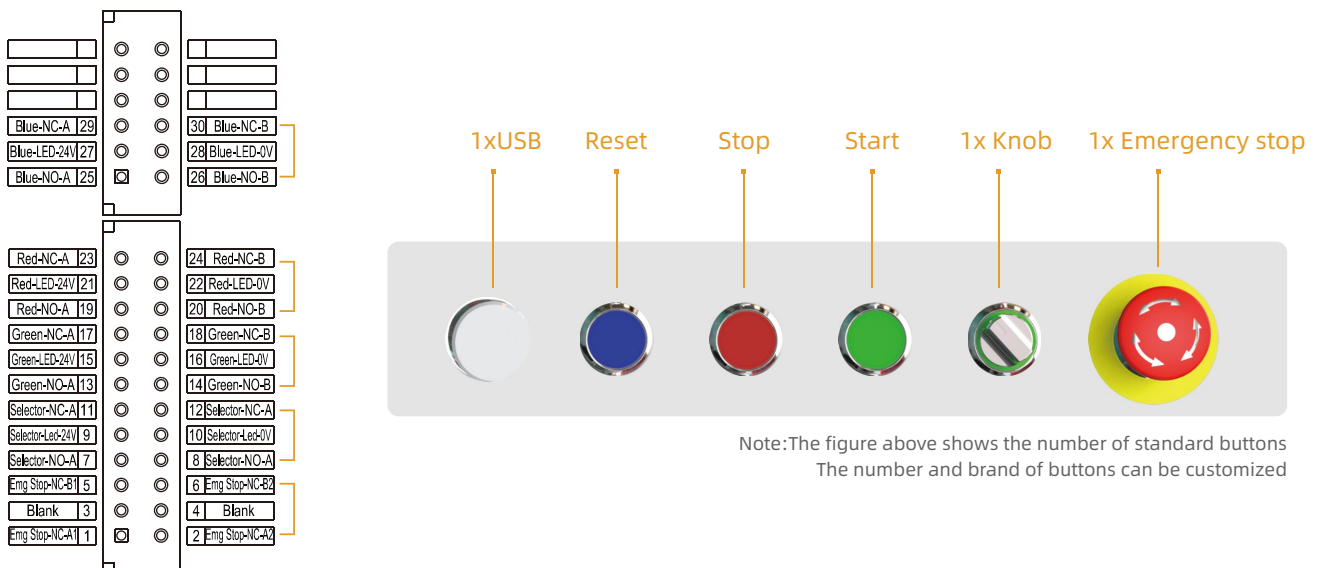
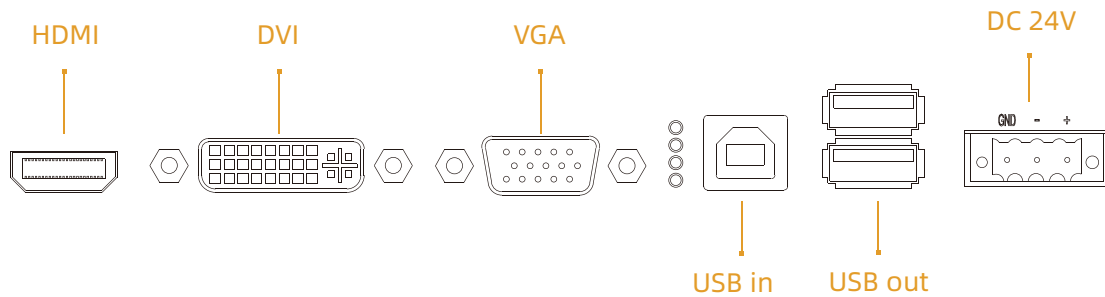
Model	IDD57215&IDD58215&IDD59215	
Routine	Control button	Set contrast ratio and luminance via OSD at the back cover
	Housing	Front panel & back cover: Aluminium-magnesium alloy, Grounding isolation protection
Power	Input Voltage	DC 9~36V
	Power	20W
Physical	Display Port	HDMI
	Dimension (WxHxD)	(Keyboard bay not included) 533.1mm x 416.7mm x 130mm (20.99" x 16.41" x 5.12")
	Net Weight(kg)	(Keyboard bay not included) 10.7kg
	Mounted	4460 or 48 arm-mounted
LCD	Display Type	21.5" FHD TFT
	Resolution	1920x1080
	Colors	16.7M
	Active Area (WxH/mm)	476.64mmx268.11mm (18.77"x10.56")
	Backlight	LED
	MTBF (hour)	30000hrs
	Pixel Pitch (HxV)	0.24825x0.24825
	Luminance(cd/m2)	250cd/m2
	Contrast Ratio	3000:1
	Viewing Angle	(L) 89/ (R) 89/ (U) 89/ (D) 89
Touchscreen	Touch Type	Single point resistive touchscreen & Multi-point capacitive touchscreen & Non-touch screen
	Light Transmission	>85%
	Controller	USB interface
	Driver Support	Windows7, WSE7, Windows 10, Vxworks, Linux
	Multi-touch	10 points (Windows)
	Surface Hardness	Resistive touchscreen: Mohs' Number >= 3H; Capacitive touchscreen: Mohs' Number 7H
Environment	Operating Temperature	0~50°C
	Storage Temperature	-20~60°C
	Relative Humidity	5~95% (Non condensation)
	Shock	Operating 10G peak acceleration(11 ms duration), follow IEC 60068-2-27
	Vibration	Operating Random Vibration Test 5~500Hz, 1Grms@with HDD; 2Grms@with SSD, follow IEC 60068-2-64
	EMC	CE/FCC Class A
Front Panel Protection	IP65	

# IDD50215 & IDD51215 & IDD52215

## Technical Drawings unit: mm



## External I/O View



Note: The figure above shows the number of standard buttons. The number and brand of buttons can be customized.

## Ordering Information

Part Number	Description
IDD57215	21.5" TFT LCD / Resistive touch screen / DC9~36V Input / Resolution 1920x1080
IDD58215	21.5" TFT LCD / Capacitive touch screen / DC9~36V Input / Resolution 1920x1080
IDD59215	21.5" TFT LCD / Non-touch screen / DC9~36V Input / Resolution 1920x1080

## Optional Accessories

VGA	VGA 3m / 5m
DVI	DVI 3m / 5m / 8m / 10m
USB	USB 3m / 5m / 10m
HDMI	HDMI 3m / 5m / 10m

## Packing List

Terminal	3 pin spring card terminal
----------	----------------------------

Note: Package contents are subject to change without prior notice