

Powerful. Beautiful.

Excellence · Innovation

IDD50215

IDD51215

IDD52215



*front-screen button: the right side. widescreen button: the lower side

Shanghai Panelmate Electronics Co., Ltd.

21.5" FHD Industrial Arm-Mounted Operation Panel

PANELMATE
Creative HMI Solution

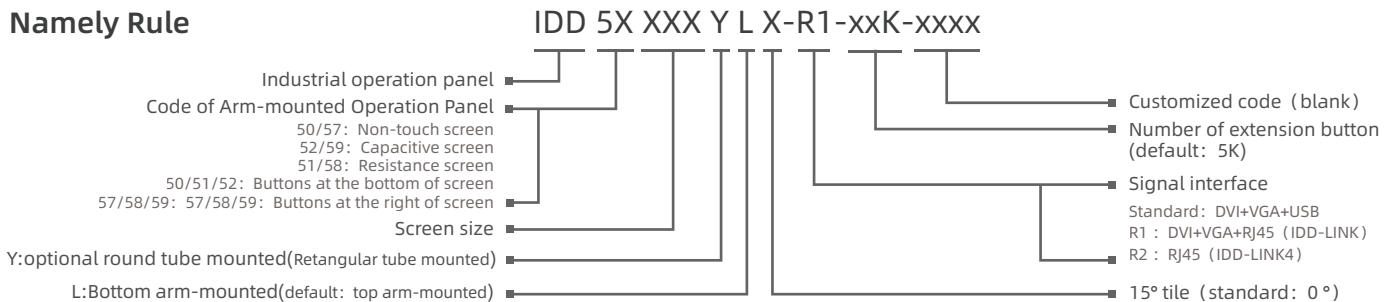
IDD50215 & IDD51215 & IDD52215



Features

- Display type: 15", 15.6", 18.5", 19", 21.5"
- Front panel/back cover: Aluminium-magnesium alloy
- IP protection level: IP65
- Screen Type: Single point resistive touchscreen, Multi-point capacitive touchscreen, Non-touch screen
- OS: WinXP, Win7, Win10/Win11, WinCE, Linux
- Interface: DVI, HDMI, VGA, 2xUSB
- Optional R1(IDD-LINK), Long distance USB signal output, support 50m
- Optional R2(IDD-LINK4), Video and USB are transmitted via a single CAT6 network cable, Transmission distance up to 100m
- DC 9~36V
- Customized LOGO and button

Namely Rule

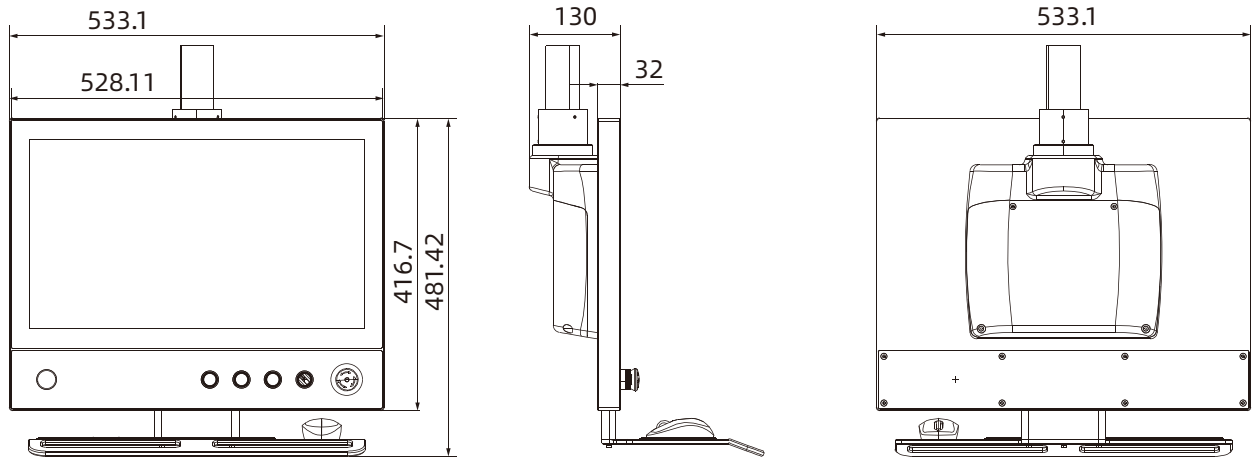


Specifications

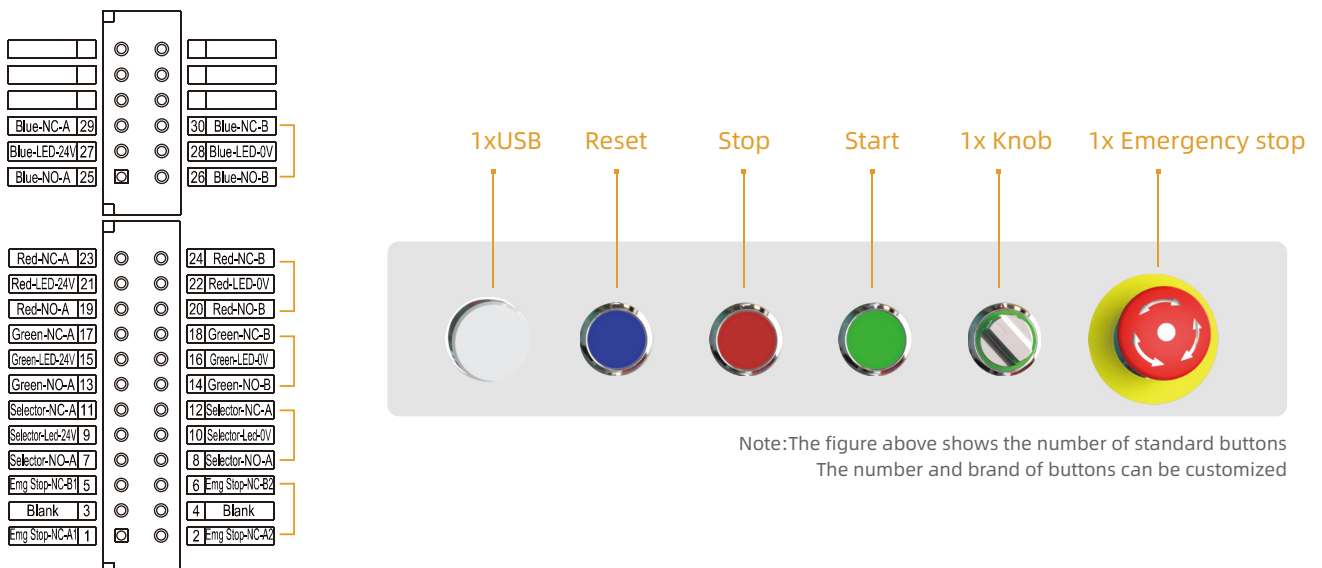
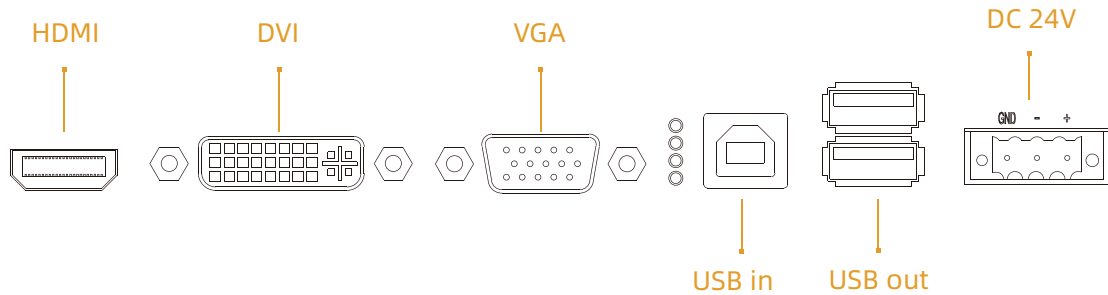
Model	IDD57215&IDD58215&IDD59215	
Routine	Control button	Set contrast ratio and luminance via OSD at the back cover
	Housing	Front panel & back cover: Aluminium-magnesium alloy, Grounding isolation protection
Power	Input Voltage	DC 9~36V
	Power	20W
Physical	Display Port	HDMI
	Dimension (WxHxD)	(Keyboard bay not included) 533.1mm x 416.7mm x 130mm (20.99" x 16.41" x 5.12")
	Net Weight(kg)	(Keyboard bay not included) 10.7kg
	Mounted	4460 or 48 arm-mounted
LCD	Display Type	21.5" FHD TFT
	Resolution	1920x1080
	Colors	16.7M
	Active Area (WxH/mm)	476.64mmx268.11mm (18.77"x10.56")
	Backlight	LED
	MTBF (hour)	30000hrs
	Pixel Pitch (HxV)	0.24825x0.24825
	Luminance(cd/m2)	250cd/m2
	Contrast Ratio	3000:1
	Viewing Angle	(L) 89/ (R) 89/ (U) 89/ (D) 89
Touchscreen	Touch Type	Single point resistive touchscreen & Multi-point capacitive touchscreen & Non-touch screen
	Light Transmission	>85%
	Controller	USB interface
	Driver Support	Windows7, WSE7, Windows 10, Vxworks, Linux
	Multi-touch	10 points (Windows)
	Surface Hardness	Resistive touchscreen: Mohs' Number >= 3H; Capacitive touchscreen: Mohs' Number 7H
Environment	Operating Temperature	0~50°C
	Storage Temperature	-20~60°C
	Relative Humidity	5~95% (Non condensation)
	Shock	Operating 10G peak acceleration(11 ms duration), follow IEC 60068-2-27
	Vibration	Operating Random Vibration Test 5~500Hz, 1Grms@with HDD; 2Grms@with SSD, follow IEC 60068-2-64
	EMC	CE/FCC Class A
Front Panel Protection	IP65	

IDD50215 & IDD51215 & IDD52215

Technical Drawings unit: mm



External I/O View



Note: The figure above shows the number of standard buttons. The number and brand of buttons can be customized.

Ordering Information

Part Number	Description
IDD57215	21.5" TFT LCD / Resistive touch screen / DC9~36V Input / Resolution 1920x1080
IDD58215	21.5" TFT LCD / Capacitive touch screen / DC9~36V Input / Resolution 1920x1080
IDD59215	21.5" TFT LCD / Non-touch screen / DC9~36V Input / Resolution 1920x1080

Optional Accessories

VGA	VGA 3m / 5m
DVI	DVI 3m / 5m / 8m / 10m
USB	USB 3m / 5m / 10m
HDMI	HDMI 3m / 5m / 10m

Packing List

Terminal	3 pin spring card terminal
----------	----------------------------

Note: Package contents are subject to change without prior notice