

Powerful. Beautiful.

Excellence · Innovation

IDD22121EX-R2



Shanghai Panelmate Electronics Co., Ltd.

12.1" XGA Industrial ATEX Monitor

PanelMate's ATEX products have passed
ATEX EU explosion-proof certification



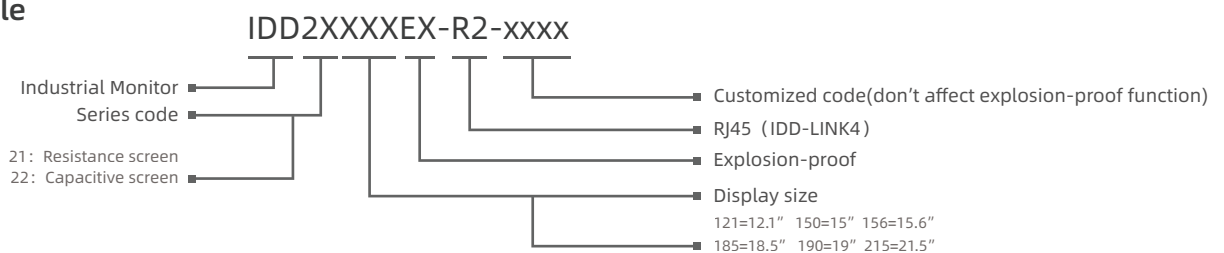
PANELMATE
Creative HMI Solution



Features

- Passed the ATEX-Ex EU protection certificate
- Display size: 12.1",15",15.6",18.5",19",21.5"
- Front panel/back cover: Aluminium-magnesium alloy
- Front panel/Rear: IP65 / IP65
- Screen Type: Multi-point capacitive touchscreen
- OS: WinXP, Win7, Win10/Win11, WinCE, Linux
- Add IDD-LINK4 ports for video and touch signal
- DC 24V

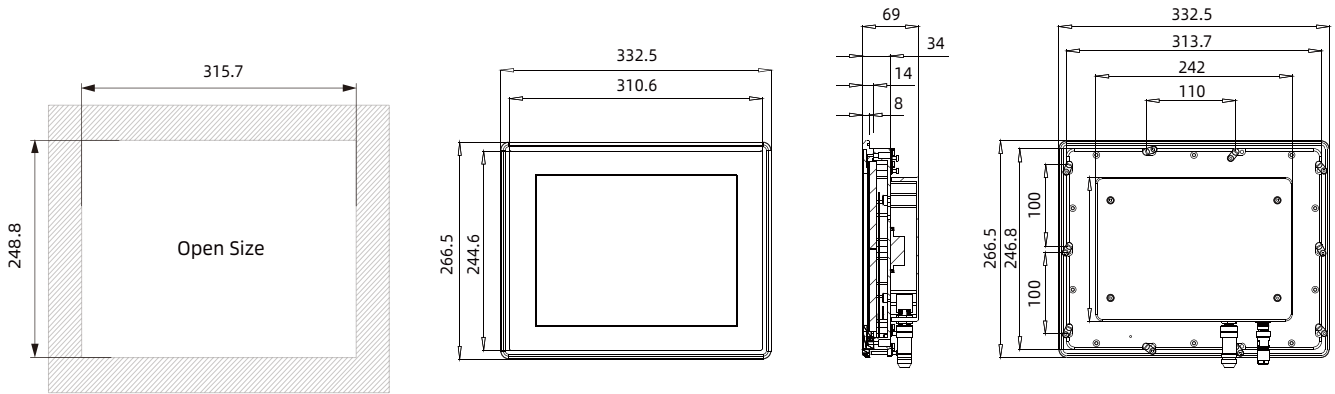
Namely Rule



Specifications

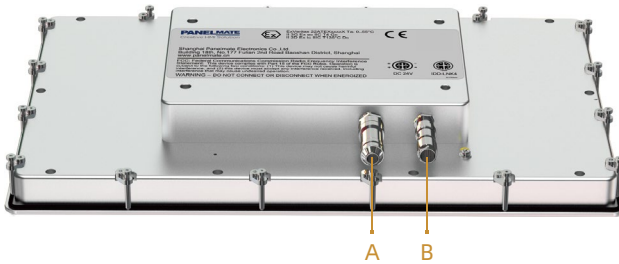
Model	IDD22121EX-R2	
Routine	Product Attribute	Built-in aluminium magnesium explosion-proof control display
	Housing	Front panel & back cover:Aluminium-magnesium alloy
	Mounting	Embedded, VESA 100 with waterproof nut
	Rear I/O	1 × M12 4pin DC power supply; 1 × M12 8pin IDD-LINK4
Power	Input Voltage	DC 24V input
	Power	19W
Physical	Dimension (WxHxD/mm)	332.5 x 266.6 x 69 (13.09" x 10.49" x 2.72)
	Open Size (WxH/mm)	315.7 x 248.8 (12.43" x 9.80")
	Net Weight(kg)	3.6
LED	Display type	12.1" XGA TFT
	Resolution	1024 x 768
	Colors	16.7M
	Active Area (WxH/mm)	304.1 x 228.1 (11.97" x 8.98")
	Backlight	LED
	MTBF(Hour)	50000hrs
	Pixel Pitch (HxV)	0.24 x 0.24
	Luminance(cd/m2)	350cd / m2
	Contrast Ratio	800:1
Viewing Angle	(L)75 / (R)75 / (U)75 / (D)75	
Touchscreen	Touch Type	Multi-point capacitive touchscreen
	Light Transmission	>85%
	Controller	USB interface
	Driver Support	Windows XP, Windows 7, Windows 8, Windows 10/11, Linux, CE
	Multi-touch	10 point
	Surface Hardness	Capacitive touchscreen: Mohs' Number 7H
Environment	Operating Temperature	0~55°C
	Storage Temperature	-20~60°C
	Relative Humidity	5 ~ 95% (Non condensation)
	Shock	Operating 10G peak acceleration(11 ms duration), follow IEC 60068-2-27
	Vibration	Operating Random Vibration Test 5~500Hz,1Grms@with HDD;2Grms@with SSD, follow IEC 60068-2-64
	EMC	CE/FCC Class A
Certification	Front Panel Protection	All IP65 waterproof and dustproof
		II 3 G Ex ec IIC T4 Gc
		II 3 D Ex tc IIIC T135°C Dc
		EN 60079-0:2018
		EN 60079-7:2015
	EN 60079-31:2014	

Technical Drawings unit: mm



Panel Cutout Dimensions: 315.7x 248.8mm (12.43 x 9.80in)

External I/O View



Interface definition:

- A: 1 × M12 4pin A-code DC power supply
- B: 1 × M12 8pin X-code IDD-LINK4

Ordering Information

Part Number	Description
IDD22121EX-R2	12.1" TFT LCD / ATEX Capacitive touch screen / DC 24V Input / Resolution 1024x768

Optional Accessories

M12 to RJ45	5m / 10m / 15m / 20m
IDD-LINK4-T	1

Packing List

Cable	1x M12 to RJ45 (IDD-LINK4) 3m cable
Power input connector	1x M12 to 4pin power input connector

Note: Package contents are subject to change without prior notice

Powerful. Beautiful.

Excellence · Innovation

IDD22150EX-R2



Shanghai Panelmate Electronics Co., Ltd.

15" XGA Industrial ATEX Monitor

PanelMate's ATEX products have passed
ATEX EU explosion-proof certification



PANELMATE
Creative HMI Solution



Features

- Passed the ATEX-Ex EU protection certificate
- Display size: 12.1",15",15.6",18.5",19",21.5"
- Front panel/back cover: Aluminium-magnesium alloy
- Front panel/Rear: IP65 / IP65
- Screen Type: Multi-point capacitive touchscreen
- OS: WinXP, Win7, Win10/Win11, WinCE, Linux
- Add IDD-LINK4 ports for video and touch signal
- DC 24V

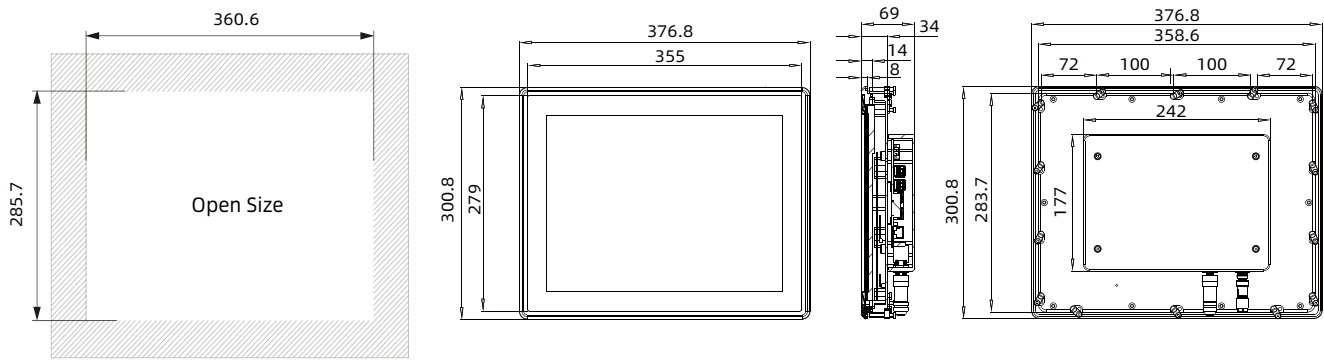
Namely Rule



Specifications

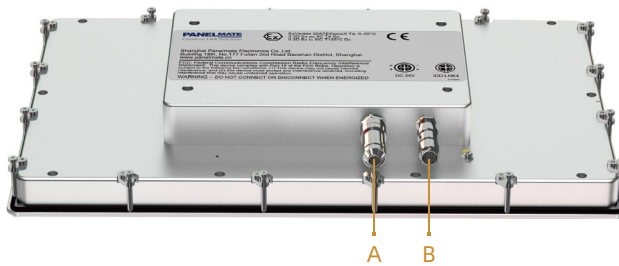
Model	IDD22150EX-R2	
Routine	Product Attribute	Built-in aluminium magnesium explosion-proof control display
	Housing	Front panel & back cover:Aluminium-magnesium alloy
	Mounting	Embedded, VESA 100 with waterproof nut
	Rear I/O	1 × M12 4pin DC power supply; 1 × M12 8pin IDD-LINK4
Power	Input Voltage	DC 24V input
	Power	21W
Physical	Dimension (WxHxD/mm)	376.8 x 300.8 x 69 (14.83" x 11.84" x 2.72")
	Open Size (WxH/mm)	360.6 x 285.7 (14.20" x 11.25")
	Net Weight(kg)	5.6kg
LED	Display type	15" XGA TFT
	Resolution	1024 x 768
	Colors	16.7M
	Active Area (WxH/mm)	304.1 x 228.1 (11.97" x 8.98")
	Backlight	LED
	MTBF(Hour)	50000hrs
	Pixel Pitch (HxV)	0.297 x 0.297
	Luminance(cd/m2)	420cd/m2
	Contrast Ratio	800:1
Viewing Angle	(L)80 / (R)80 / (U)80 / (D)80	
Touchscreen	Touch Type	Multi-point capacitive touchscreen
	Light Transmission	>85%
	Controller	USB interface
	Driver Support	Windows XP, Windows 7, Windows 8, Windows 10/11, Linux, CE
	Multi-touch	10 point
	Surface Hardness	Capacitive touchscreen: Mohs' Number 7H
Environment	Operating Temperature	0~55°C
	Storage Temperature	-20~60°C
	Relative Humidity	5 ~ 95% (Non condensation)
	Shock	Operating 10G peak acceleration(11 ms duration), follow IEC 60068-2-27
	Vibration	Operating Random Vibration Test 5~500Hz,1Grms@with HDD;2Grms@with SSD, follow IEC 60068-2-64
	EMC	CE/FCC Class A
Certification	Front Panel Protection	All IP65 waterproof and dustproof
		II 3 G Ex ec IIC T4 Gc
		II 3 D Ex tc IIIC T135°C Dc
		EN 60079-0:2018
		EN 60079-7:2015
	EN 60079-31:2014	

Technical Drawings unit: mm



Panel Cutout Dimensions: 360.6x 285.7mm (14.20 x 11.25in)

External I/O View



Interface definition:

- A: 1 × M12 4pin A-code DC power supply
- B: 1 × M12 8pin X-code IDD-LINK4

Ordering Information

Part Number	Description
IDD22150EX-R2	15" TFT LCD / ATEX Capacitive touch screen / DC 24V Input / Resolution 1024x768

Optional Accessories

M12 to RJ45	5m / 10m / 15m / 20m
IDD-LINK4-T	1

Packing List

Cable	1x M12 to RJ45 (IDD-LINK4) 3m cable
Power input connector	1x M12 to 4pin power input connector

Note: Package contents are subject to change without prior notice

Powerful. Beautiful.

Excellence · Innovation

IDD22156EX-R2



Shanghai Panelmate Electronics Co., Ltd.

15.6" WXGA Industrial ATEX Monitor

PanelMate's ATEX products have passed
ATEX EU explosion-proof certification



PANELMATE
Creative HMI Solution



Features

- Passed the ATEX-Ex EU protection certificate
- Display size: 12.1",15",15.6",18.5",19",21.5"
- Front panel/back cover: Aluminium-magnesium alloy
- Front panel/Rear: IP65 / IP65
- Screen Type: Multi-point capacitive touchscreen
- OS: WinXP, Win7, Win10/Win11, WinCE, Linux
- Add IDD-LINK4 ports for video and touch signal
- DC 24V

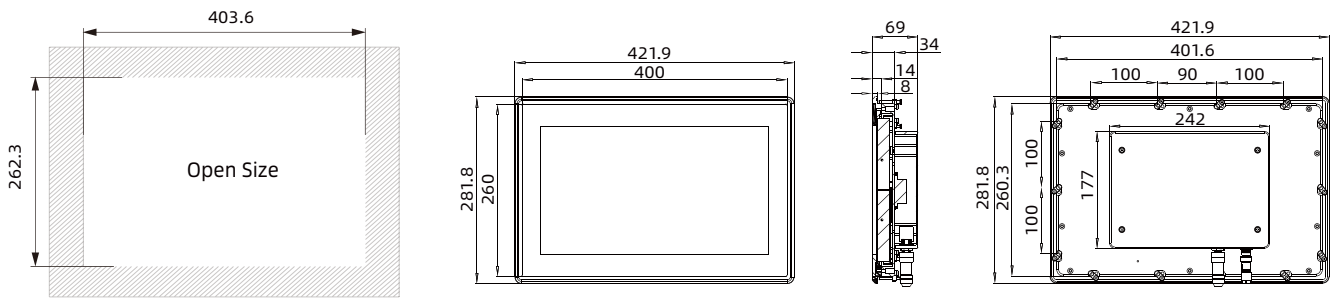
Namely Rule



Specifications

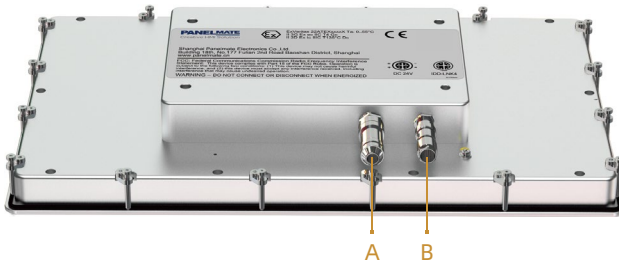
Model	IDD22156EX-R2	
Routine	Product Attribute	Built-in aluminium magnesium explosion-proof control display
	Housing	Front panel & back cover:Aluminium-magnesium alloy
	Mounting	Embedded, VESA 100 with waterproof nut
	Rear I/O	1 × M12 4pin DC power supply; 1 × M12 8pin IDD-LINK4
Power	Input Voltage	DC 24V input
	Power	28W
Physical	Dimension (WxHxD/mm)	421.9 x 281.8 x 69 (16.61" x 11.09" x 2.72")
	Open Size (WxH/mm)	403.6 x 262.3 (15.89" x 10.33")
	Net Weight(kg)	5.85kg
LED	Display type	15.6" WXGA TFT
	Resolution	1366 x 768
	Colors	16.7M
	Active Area (WxH/mm)	344.23 x 193.54 (13.55"x 7.62")
	Backlight	LED
	MTBF(Hour)	50000hrs
	Pixel Pitch (HxV)	0.252 x 0.252
	Luminance(cd/m2)	300cd/m2
	Contrast Ratio	500:1
Viewing Angle	(L)85 / (R)85 / (U)85 / (D)85	
Touchscreen	Touch Type	Multi-point capacitive touchscreen
	Light Transmission	>85%
	Controller	USB interface
	Driver Support	Windows XP, Windows 7, Windows 8, Windows 10/11, Linux, CE
	Multi-touch	10 point
	Surface Hardness	Capacitive touchscreen: Mohs' Number 7H
Environment	Operating Temperature	0 ~ 55°C
	Storage Temperature	-20 ~ 60°C
	Relative Humidity	5 ~ 95% (Non condensation)
	Shock	Operating 10G peak acceleration(11 ms duration), follow IEC 60068-2-27
	Vibration	Operating Random Vibration Test 5~500Hz,1Grms@with HDD;2Grms@with SSD, follow IEC 60068-2-64
	EMC	CE/FCC Class A
	Front Panel Protection	All IP65 waterproof and dustproof
Certification		II 3 G Ex ec IIC T4 Gc
		II 3 D Ex tc IIIC T135°C Dc
		EN 60079-0:2018
		EN 60079-7:2015
		EN 60079-31:2014

Technical Drawings unit: mm



Panel Cutout Dimensions: 403.6 x 262.3mm (15.89 x 10.33in)

External I/O View



Interface definition:

- A: 1 × M12 4pin A-code DC power supply
- B: 1 × M12 8pin X-code IDD-LINK4

Ordering Information

Part Number	Description
IDD22156EX-R2	15.6" TFT LCD / ATEX Capacitive touch screen / DC 24V Input / Resolution 1366x768

Optional Accessories

M12 to RJ45	5m / 10m / 15m / 20m
IDD-LINK4-T	1

Packing List

Cable	1x M12 to RJ45 (IDD-LINK4) 3m cable
Power input connector	1x M12 to 4pin power input connector

Note: Package contents are subject to change without prior notice

Powerful. Beautiful.

Excellence · Innovation

IDD22185EX-R2



Shanghai Panelmate Electronics Co., Ltd.

18.5" WXGA Industrial ATEX Monitor

PanelMate's ATEX products have passed
ATEX EU explosion-proof certification



PANELMATE
Creative HMI Solution



Features

- Passed the ATEX-Ex EU protection certificate
- Display size: 12.1",15",15.6",18.5",19",21.5"
- Front panel/back cover: Aluminium-magnesium alloy
- Front panel/Rear: IP65 / IP65
- Screen Type: Multi-point capacitive touchscreen
- OS: WinXP, Win7, Win10/Win11, WinCE, Linux
- Add IDD-LINK4 ports for video and touch signal
- DC 24V

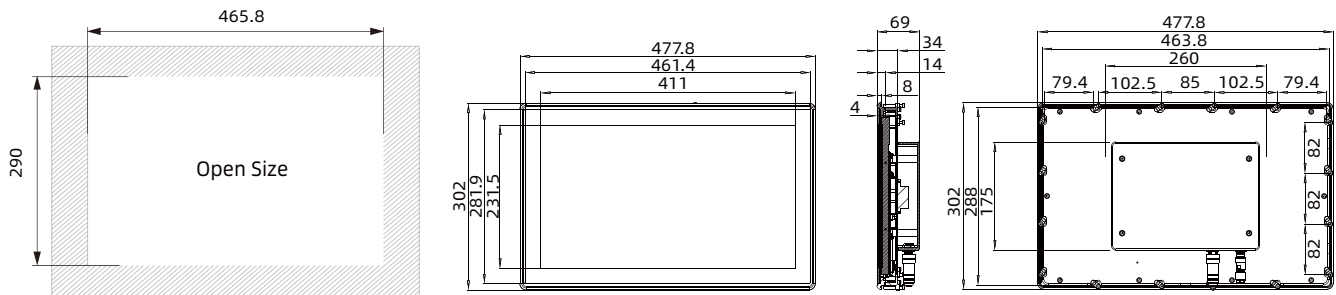
Namely Rule



Specifications

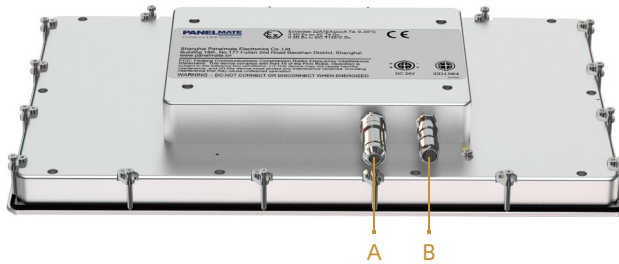
Model	IDD22185EX-R2	
Routine	Product Attribute	Built-in aluminium magnesium explosion-proof control display
	Housing	Front panel & back cover:Aluminium-magnesium alloy
	Mounting	Embedded, VESA 100 with waterproof nut
	Rear I/O	1 × M12 4pin DC power supply; 1 × M12 8pin IDD-LINK4
Power	Input Voltage	DC 24V input
	Power	26W
Physical	Dimension (WxHxD/mm)	477.8 x 302 x 69 (18.81" x 11.89" x 2.72")
	Open Size (WxH/mm)	465.8 x 290 (18.34" x 11.42")
	Net Weight(kg)	6.4kg
LED	Display type	18.5" WXGA TFT
	Resolution	1366 x 768
	Colors	16.7M
	Active Area (WxH/mm)	409.8 x 230.4 (16.13" x 9.07")
	Backlight	LED
	MTBF(Hour)	30000hrs
	Pixel Pitch (HxV)	0.3 x 0.3
	Luminance(cd/m2)	500cd/m2
	Contrast Ratio	1000:1
Touchscreen	Viewing Angle	(L)89 / (R)89 / (U)89 / (D)89
	Touch Type	Multi-point capacitive touchscreen
	Light Transmission	>85%
	Controller	USB interface
	Driver Support	Windows XP, Windows 7, Windows 8, Windows 10/11, Linux, CE
	Multi-touch	10 point
	Surface Hardness	Capacitive touchscreen: Mohs' Number 7H
Environment	Operating Temperature	0 ~ 55°C
	Storage Temperature	-20 ~ 60°C
	Relative Humidity	5 ~ 95% (Non condensation)
	Shock	Operating 10G peak acceleration(11 ms duration), follow IEC 60068-2-27
	Vibration	Operating Random Vibration Test 5~500Hz,1Grms@with HDD;2Grms@with SSD, follow IEC 60068-2-64
	EMC	CE/FCC Class A
Certification	Protection	All IP65 waterproof and dustproof
		II 3 G Ex ec IIC T4 Gc
		II 3 D Ex tc IIIC T135°C Dc
		EN 60079-0:2018
		EN 60079-7:2015
	EN 60079-31:2014	

Technical Drawings unit: mm



Panel Cutout Dimensions: 465.8 x 290mm (18.34 x 11.42in)

External I/O View



Interface definition:

A: 1 × M12 4pin A-code DC power supply

B: 1 × M12 8pin X-code IDD-LINK4

Ordering Information

Part Number	Description
IDD22185EX-R2	18.5" TFT LCD / ATEX Capacitive touch screen / DC 24V Input / Resolution 1366x768

Optional Accessories

M12 to RJ45	5m / 10m / 15m / 20m
IDD-LINK4-T	1

Packing List

Cable	1x M12 to RJ45 (IDD-LINK4) 3m cable
Power input connector	1x M12 to 4pin power input connector

Note: Package contents are subject to change without prior notice

Powerful. Beautiful.

Excellence · Innovation

IDD22190EX-R2



Shanghai Panelmate Electronics Co., Ltd.

19" SXGA Industrial ATEX Monitor

PanelMate's ATEX products have passed
ATEX EU explosion-proof certification



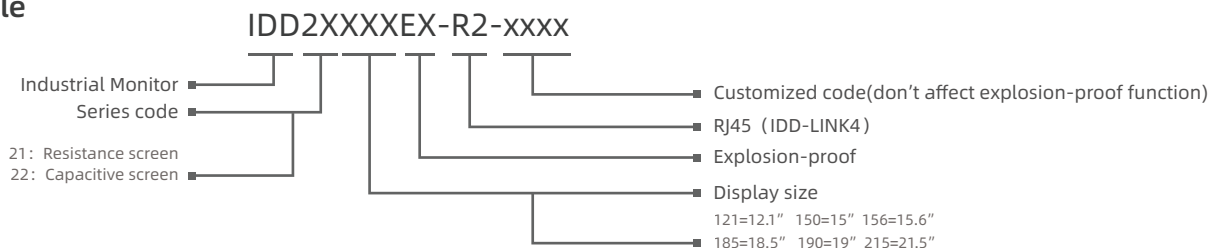
PANELMATE
Creative HMI Solution



Features

- Passed the ATEX-Ex EU protection certificate
- Display size: 12.1",15",15.6",18.5",19",21.5"
- Front panel/back cover: Aluminium-magnesium alloy
- Front panel/Rear: IP65 / IP65
- Screen Type: Multi-point capacitive touchscreen
- OS: WinXP, Win7, Win10/Win11, WinCE, Linux
- Add IDD-LINK4 ports for video and touch signal
- DC 24V

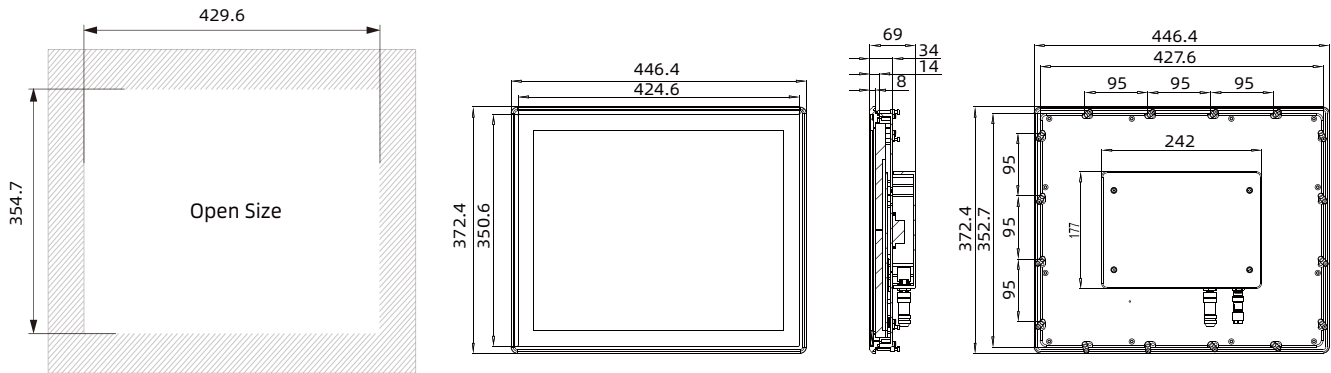
Namely Rule



Specifications

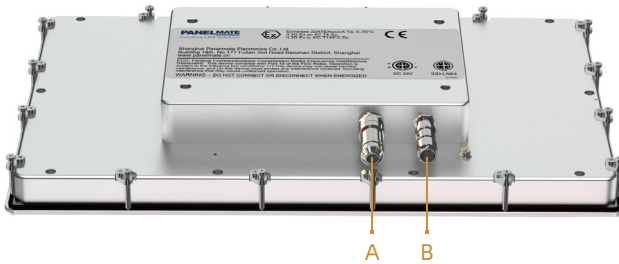
Model	IDD21190EX-R2&IDD22190EX-R2	
Routine	Product Attribute	Built-in aluminium magnesium explosion-proof control display
	Housing	Front panel & back cover:Aluminium-magnesium alloy
	Mounting	Embedded, VESA 100 with waterproof nut
	Rear I/O	1 × M12 4pin DC power supply; 1 × M12 8pin IDD-LINK4
Power	Input Voltage	DC 24V input
	Power	24W
Physical	Dimension (WxHxD/mm)	446.4 x 372.4 x 69 (17.57" x 14.66" x 2.72")
	Open Size (WxH/mm)	429.6 x 354.7 (16.91" x 13.96")
	Net Weight(kg)	7.05kg
LED	Display type	19" SXGA TFT
	Resolution	1280 x 1024
	Colors	16.7M
	Active Area (WxH/mm)	376.32 x 301.06 (14.82" x 11.85")
	Backlight	LED
	MTBF(Hour)	30000hrs
	Pixel Pitch (HxV)	0.294 x 0.294
	Luminance(cd/m2)	250cd/m2
	Contrast Ratio	1000: 1
Viewing Angle	(L)85 / (R)85 / (U)80 / (D)80	
Touchscreen	Touch Type	Multi-point capacitive touchscreen
	Light Transmission	>85%
	Controller	USB interface
	Driver Support	Windows XP, Windows 7, Windows 8, Windows 10/11, Linux, CE
	Multi-touch	10 point
	Surface Hardness	Capacitive touchscreen: Mohs' Number 7H
Environment	Operating Temperature	0 ~ 55°C
	Storage Temperature	-20 ~ 60°C
	Relative Humidity	5 ~ 95% (Non condensation)
	Shock	Operating 10G peak acceleration(11 ms duration), follow IEC 60068-2-27
	Vibration	Operating Random Vibration Test 5~500Hz,1Grms@with HDD;2Grms@with SSD, follow IEC 60068-2-64
	EMC	CE/FCC Class A
	Protection	All IP65 waterproof and dustproof
Certification		II 3 G Ex ec IIC T4 Gc
		II 3 D Ex tc IIIC T135°C Dc
		EN 60079-0:2018
		EN 60079-7:2015
		EN 60079-31:2014

Technical Drawings unit: mm



Panel Cutout Dimensions: 429.6 x 354.7mm (16.91 x 13.96in)

External I/O View



Interface definition:

- A: 1 × M12 4pin A-code DC power supply
- B: 1 × M12 8pin X-code IDD-LINK4

Ordering Information

Part Number	Description
IDD22190EX-R2	19" TFT LCD / ATEX Capacitive touch screen / DC 24V Input / Resolution 1280x1024

Optional Accessories

M12 to RJ45	5m / 10m / 15m / 20m
IDD-LINK4-T	1

Packing List

Cable	1x M12 to RJ45 (IDD-LINK4) 3m cable
Power input connector	1x M12 to 4pin power input connector

Note: Package contents are subject to change without prior notice

Powerful. Beautiful.

Excellence · Innovation

IDD22215EX-R2



Shanghai Panelmate Electronics Co., Ltd.

21.5" FHD Industrial ATEX Monitor

PanelMate's ATEX products have passed
ATEX EU explosion-proof certification



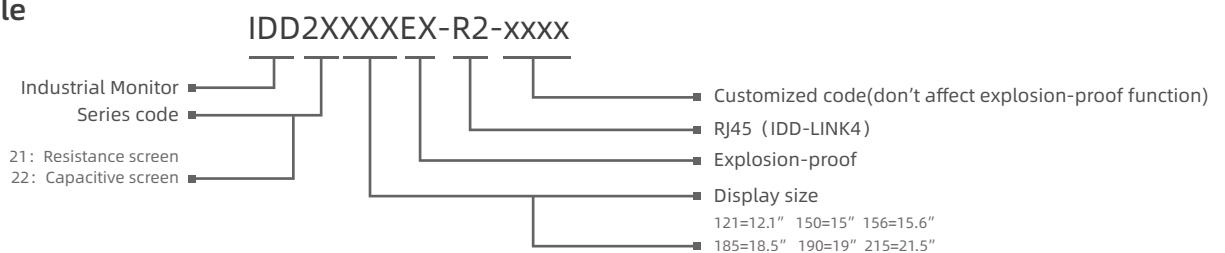
PANELMATE
Creative HMI Solution



Features

- Passed the ATEX-Ex EU protection certificate
- Display size: 12.1",15",15.6",18.5",19",21.5"
- Front panel/back cover: Aluminium-magnesium alloy
- Front panel/Rear: IP65 / IP65
- Screen Type: Multi-point capacitive touchscreen
- OS: WinXP, Win7, Win10/Win11, WinCE, Linux
- Add IDD-LINK4 ports for video and touch signal
- DC 24V

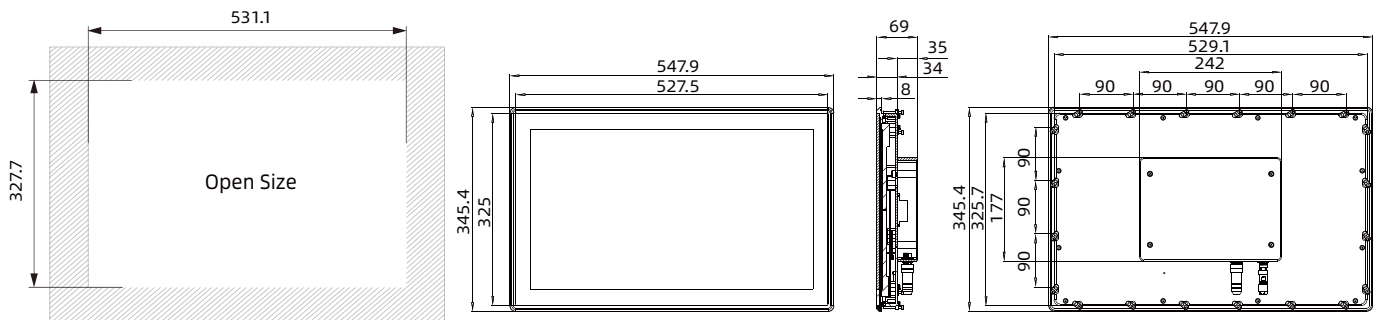
Namely Rule



Specifications

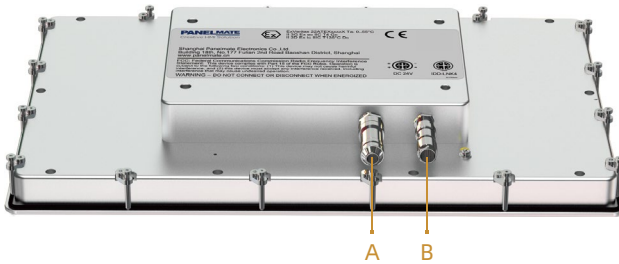
Model	IDD22215EX-R2	
Routine	Product Attribute	Built-in aluminium magnesium explosion-proof control display
	Housing	Front panel & back cover:Aluminium-magnesium alloy
	Mounting	Embedded, VESA 100 with waterproof nut
	Rear I/O	1 × M12 4pin DC power supply; 1 × M12 8pin IDD-LINK4
Power	Input Voltage	DC 24V input
	Power	34W
Physical	Dimension (WxHxD/mm)	547.9 x 345.4 x 69 (21.57" x 13.60" x 2.72")
	Open Size (WxH/mm)	531.1 x 327.7 (20.91" x 12.90")
	Net Weight(kg)	7.1kg
LED	Display type	21.5" FHD TFT
	Resolution	1920 x 1080
	Colors	16.7M
	Active Area (WxH/mm)	476.64 x 268.11 (18.77" x 10.56")
	Backlight	LED
	MTBF(Hour)	30000hrs
	Pixel Pitch (HxV)	0.24825 x 0.24825
	Luminance(cd/m2)	300cd/m2
	Contrast Ratio	500:1
Touchscreen	Viewing Angle	(L)89 / (R)89 / (U)89 / (D)89
	Touch Type	Multi-point capacitive touchscreen
	Light Transmission	>85%
	Controller	USB interface
	Driver Support	Windows XP, Windows 7, Windows 8, Windows 10/11, Linux, CE
	Multi-touch	10 point
	Surface Hardness	Capacitive touchscreen: Mohs' Number 7H
Environment	Operating Temperature	0 ~ 55°C
	Storage Temperature	-20 ~ 60°C
	Relative Humidity	5 ~ 95% (Non condensation)
	Shock	Operating 10G peak acceleration(11 ms duration), follow IEC 60068-2-27
	Vibration	Operating Random Vibration Test 5~500Hz,1Grms@with HDD;2Grms@with SSD, follow IEC 60068-2-64
	EMC	CE/FCC Class A
Certification	Protection	All IP65 waterproof and dustproof
		II 3 G Ex ec IIC T4 Gc
		II 3 D Ex tc IIIC T135°C Dc
		EN 60079-0:2018 EN 60079-7:2015 EN 60079-31:2014

Technical Drawings unit: mm



Panel Cutout Dimensions: 531.1 x 327.7mm (20.91 x 12.90in)

External I/O View



Interface definition:

- A: 1 × M12 4pin A-code DC power supply
- B: 1 × M12 8pin X-code IDD-LINK4

Ordering Information

Part Number	Description
IDD22215EX-R2	21.5" TFT LCD / ATEX Capacitive touch screen / DC 24V Input / Resolution 1920x1080

Optional Accessories

M12 to RJ45	5m / 10m / 15m / 20m
IDD-LINK4-T	1

Packing List

Cable	1x M12 to RJ45 (IDD-LINK4) 3m cable
Power input connector	1x M12 to 4pin power input connector

Note: Package contents are subject to change without prior notice