

Powerful. Beautiful.  
**Excellence · Innovation**

IDD21173  
IDD22173  
IDD24173



**Shanghai Panelmate Electronics Co., Ltd.**

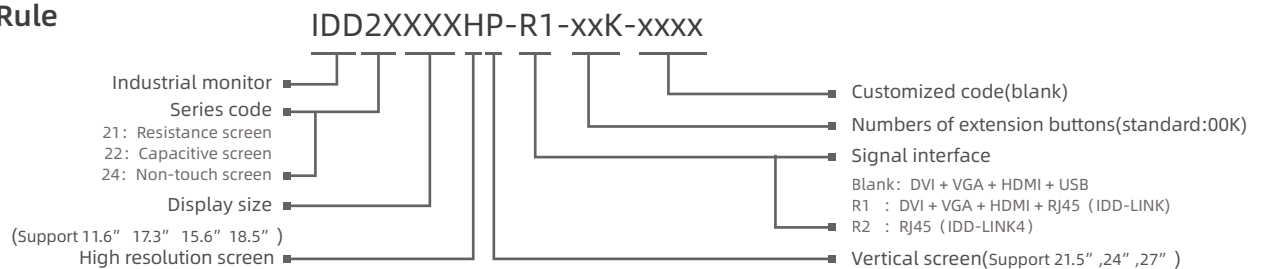
17.3" FHD Industrial Monitor



## Features

- Display type: 10.1",10.4",11.6",12.1",12.2",15",15.6",17",17.3",18.5",19", 21.5",24",27"
- Front panel/back cover: Aluminium-magnesium alloy
- IP: Front panel IP65 / Rear cover IP20
- Screen Type: Single point resistive touchscreen, Multi-point capacitive touchscreen, Non-touch screen
- OS:Win7, Win8, Win10, Win11, Linux, etc
- Interface: DVI, HDMI, VGA video interface, 2xUSB
- DC 12~36V
- R1(IDD-LINK),Long distance USB signal output, support 50m
- R2(IDD-LINK4),Video and USB are transmitted via a single CAT6 network cable, Transmission distance up to 100m

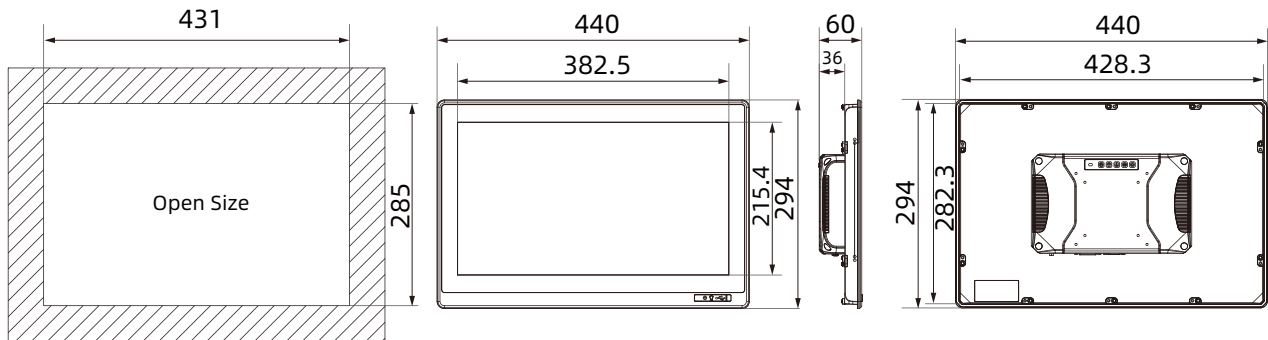
## Namely Rule



## Specifications

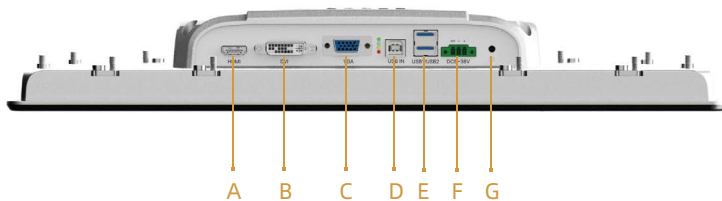
| Model              | IDD21173&IDD22173&IDD24173 |  |
|--------------------|----------------------------|--|
| <b>Routine</b>     | Control button             | Set contrast ratio and luminance via OSD at the back cover                                   |
|                    | Housing                    | Front panel & back cover:Aluminium-magnesium alloy,Grounding isolation protection            |
|                    | Mounting                   | Embedded,Wall-mounted,VESA ,Desktop  |
|                    | Rear I/O                   | VGA & DVI & HDMI & USB   |
| <b>Power</b>       | Input Voltage              | DC 12~36V  |
|                    | Power                      | 14W  |
| <b>Physical</b>    | Dimension (WxHxD/mm)       | 440mm x 294mm x 60mm ( 15.24" x 13.39" x 2.26" )   |
|                    | Open Size (WxH/mm)         | 431mm x 285mm ( 16.97" x 12.95" )  |
|                    | Net Weight(kg)             | 4.4  |
| <b>LCD</b>         | Display type               | 17.3" FHD TFT  |
|                    | Resolution                 | 1920 x 1080  |
|                    | Colors                     | 16.7M  |
|                    | Active Area (WxH/mm)       | 381.888mm x 214.812mm ( 15.03" x 8.46" )   |
|                    | Backlight                  | LED  |
|                    | MTBF(Hour)                 | 50000hrs   |
|                    | Pixel Pitch (HxV)          | 0.1989 x 0.1989  |
|                    | Luminance(cd/m2)           | 400  |
|                    | Contrast Ratio             | 600:1  |
|                    | Viewing Angle              | (L)80 / (R)80 / (U)60 / (D)80  |
| <b>Touchscreen</b> | Touch Type                 | Single point resistive touchscreen & Multi-point capacitive touchscreen & Non-touchscreen    |
|                    | Light Transmission         | >85%   |
|                    | Controller                 | USB interface  |
|                    | Driver Support             | Windows7, Window8, Windows10, Windows11, Linux, etc  |
|                    | Multi-touch                | 10 points (Window System)  |
|                    | Surface Hardness           | Resistive touchscreen: Mohs' Number >= 3H;Capacitive touchscreen: Mohs' Number 7H            |
| <b>Environment</b> | Operating Temperature      | 0 ~ 70°C   |
|                    | Storage Temperature        | -20~70°C   |
|                    | Relative Humidity          | 5 ~ 95% (Non condensation)   |
|                    | Shock                      | Operating 10G peak acceleration(11 ms duration), follow IEC 60068-2-27                       |
|                    | Vibration                  | Operating Random Vibration Test 5~500Hz,1Grms@with HDD;2Grms@with SSD, follow IEC 60068-2-64 |
|                    | EMC                        | CE/FCC Class A   |
|                    | Front Panel Protection     | Front panel IP65 compliant   |

## Technical Drawings unit:mm



Panel Cutout Dimensions: 431mm x 285mm (16.97" x 12.95")

## External I/O View



### Interface definition:

- A: HDMI
- B: DVI
- C: VGA
- D: USB input
- E: USB output
- F: DC 12~36V
- G: GND

## Ordering Information

| Part Number | Description  |
|-------------|--|
| IDD21173    | 17" TFT LCD / Resistive touch screen / DC 12~36V Input / Resolution 1280x1024  |
| IDD22173    | 17" TFT LCD / Capacitive touch screen / DC 12~36V Input / Resolution 1280x1024 |
| IDD24173    | 17" TFT LCD / Non-touch screen / DC 12~36V Input / Resolution 1280x1024        |

## Optional Accessories

|      |                        |
|------|------------------------|
| VGA  | VGA 3m / 5m            |
| DVI  | DVI 3m / 5m / 8m / 10m |
| USB  | USB 3m / 5m / 10m      |
| HDMI | HDMI 3m / 5m / 10m     |

## Packing List

|           |                            |
|-----------|----------------------------|
| Terminals | 3pin spring clamp terminal |
|-----------|----------------------------|

Note: Package contents are subject to change without prior notice