

Powerful. Beautiful.
Excellence · Innovation

IDD21116
IDD22116
IDD24116



Shanghai Panelmate Electronics Co., Ltd.

11.6" FHD Industrial Monitor(High resolution screen)

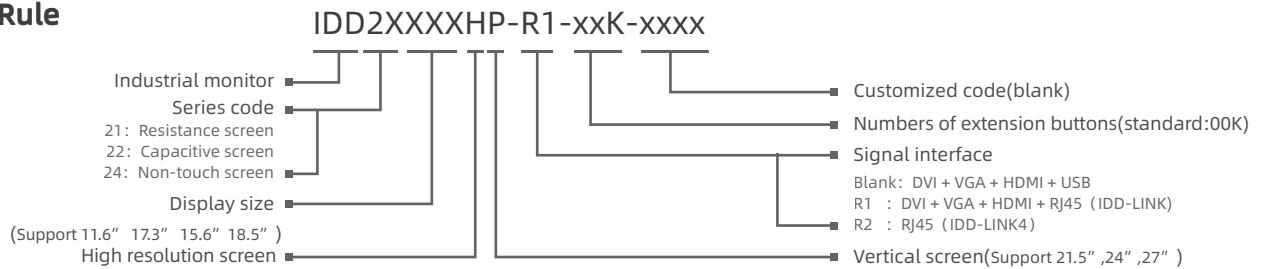
IDD21116 & IDD22116 & IDD24116



Features

- Display type: 10.1",10.4",11.6",12.1",12.2",15",15.6",17",17.3",18.5",19", 21.5",24",27"
- Front panel/back cover: Aluminium-magnesium alloy
- IP: Front panel IP65 / Rear cover IP20
- Screen Type: Single point resistive touchscreen, Multi-point capacitive touchscreen, Non-touch screen
- OS:Win7, Win8, Win10, Win11, Linux, etc
- Interface: DVI, HDMI, VGA video interface, 2xUSB
- DC 12~36V
- R1(IDD-LINK),Long distance USB signal output, support 50m
- R2(IDD-LINK4),Video and USB are transmitted via a single CAT6 network cable, Transmission distance up to 100m

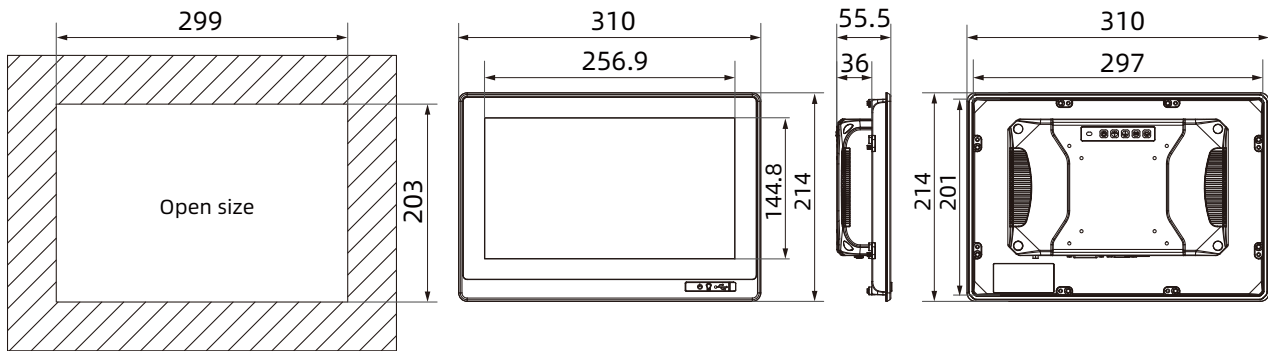
Namely Rule



Specifications

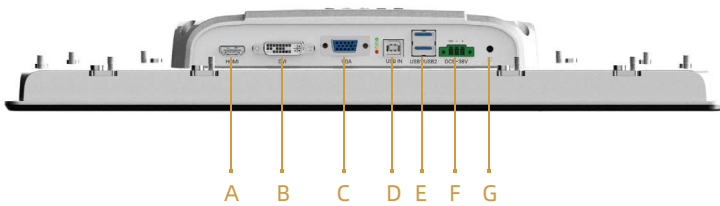
Model	IDD21116&IDD22116&IDD24116	
Routine	Control button	Set contrast ratio and luminance via OSD at the back cover
	Housing	Front panel & back cover:Aluminium-magnesium alloy,Grounding isolation protection
	Mounting	Embedded,Wall-mounted,VESA ,Desktop
	Rear I/O	VGA & DVI & HDMI & USB
Power	Input Voltage	DC 12~36V
	Power	5W
Physical	Dimension (WxHxD/mm)	310 x 214 x 55.5 (12.20" x 8.43" x 2.19")
	Open Size (WxH/mm)	299 x 203 (11.77" x 7.99")
	Net Weight(kg)	2.2
LCD	Display type	11.6" FHD TFT
	Resolution	1920 x 1080
	Colors	16.7M
	Active Area (WxH/mm)	256.32 x 144.18 (10.09" x 5.68")
	Backlight	LED
	MTBF(Hour)	50000hrs
	Pixel Pitch (HxV)	0.1335 x 0.1335
	Luminance(cd/m2)	250
	Contrast Ratio	1000:1
	Viewing Angle	(L)85 / (R)85 / (U)85 / (D)85
Touchscreen	Touch Type	Single point resistive touchscreen & Multi-point capacitive touchscreen & Non-touch screen
	Light Transmission	>85%
	Controller	USB interface
	Driver Support	Windows7, Window8, Windows10, Windows11, Linux, etc
	Multi-touch	10 points
	Surface Hardness	Resistive touchscreen: Mohs' Number >= 3H;Capacitive touchscreen: Mohs' Number 7H
Environment	Operating Temperature	0 ~ 50°C
	Storage Temperature	-20 ~ 60°C
	Relative Humidity	5 ~ 95% (Non condensation)
	Shock	Operating 10G peak acceleration(11 ms duration), follow IEC 60068-2-27
	Vibration	Operating Random Vibration Test 5~500Hz,1Grms@with HDD;2Grms@with SSD, follow IEC 60068-2-64
	EMC	CE/FCC Class A
	Front Panel Protection	Front panel IP65 compliant

Technical Drawings unit:mm



Panel Cutout Dimensions: 295 x 248mm (11.61 x 9.76in)

External I/O View



Interface definition:

- A: HDMI
- B: DVI
- C: VGA
- D: USB input
- E: USB output
- F: DC 12~36V
- G: GND

Ordering Information

Part Number	Description
IDD21116	11.6" TFT LCD / Resistive touch screen / DC 12~36V DC9~36V Input / Resolution 1920 x 1080
IDD22116	11.6" TFT LCD / Capacitive touch screen / DC 12~36V Input / Resolution 1920 x 1080
IDD24116	11.6" TFT LCD / Non-touch screen / DC 12~36V Input / Resolution 1920 x 1080

Optional Accessories

VGA	VGA 3m / 5m
DVI	DVI 3m / 5m / 8m / 10m
USB	USB 3m / 5m / 10m
HDMI	HDMI 3m / 5m / 10m

Packing List

Terminals	3pin spring clamp terminal
-----------	----------------------------

Note: Package contents are subject to change without prior notice