

Powerful. Beautiful.
Excellence · Innovation

PI21173
PI22173
PI24173



Shanghai Panelmate Electronics Co., Ltd.

17.3" FHD Raspberry Panel PC



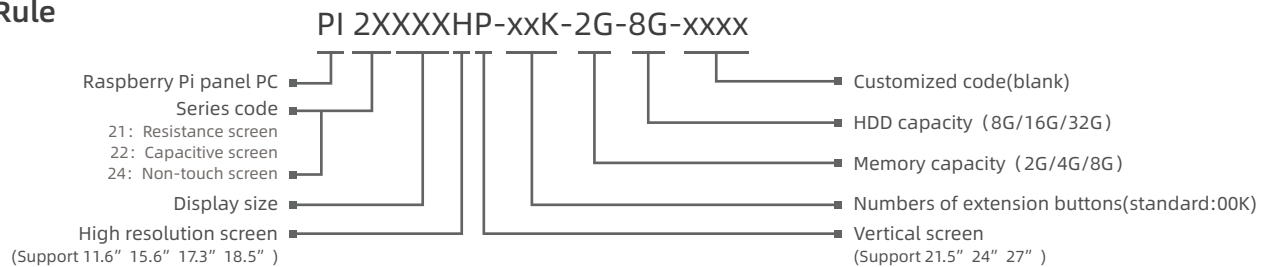
PI21173 & PI22173 & PI24173



Features

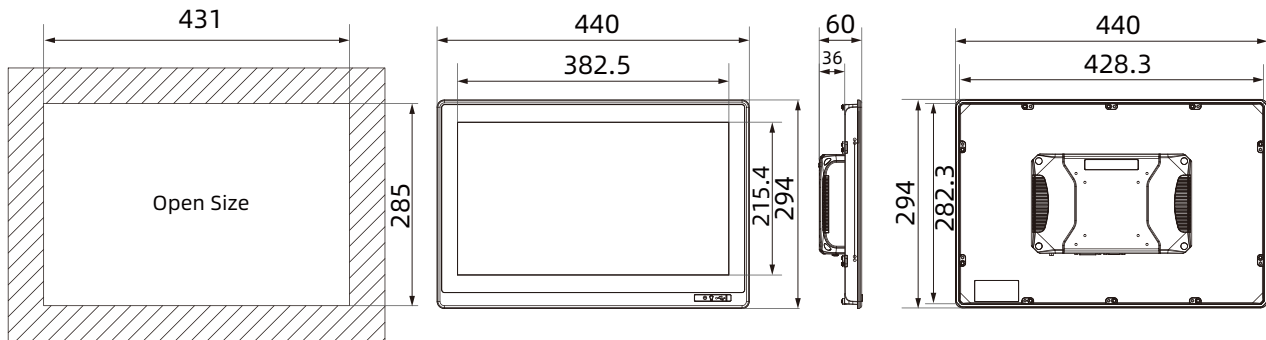
- Display type: 10.1", 10.4", 11.6", 12.1", 12.2", 15", 15.6", 17", 17.3", 18.5", 19", 21.5", 24", 27"
- Front panel/back cover: Aluminium-magnesium alloy
- Front panel/Rear: IP65 / IP20
- Screen Type: Single point resistive touchscreen, Multi-point capacitive touchscreen, Non-touch screen
- Built-in UPS power supply
- RTC real-time clock
- OS: LINUX or Raspberry Pi
- Interface: HDMI, Type-C, 4xUSB and 2xCAN
- DC 24V

Namely Rule



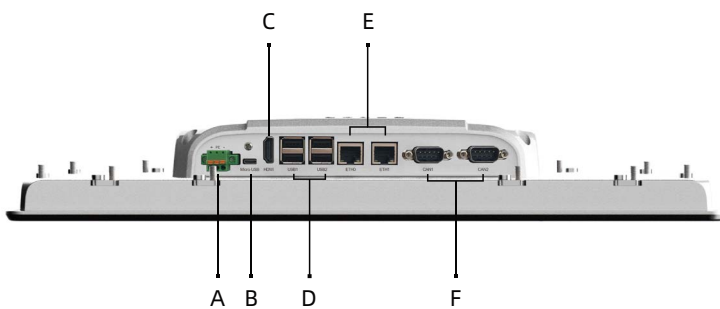
Specifications

Model	PI21173&PI22173&PI24173	
Processor	CPU	Broadcom BCM2711 1.5 GHz,64-bit,4 cores,ARM Cortex-A72
	Memory	2G (Deafult) /4G/8G
	Storage	8G eMMC (Deafult) /16G/32G eMMC
I/O	LAN	1 x 1000Mbps, BCM54210PE; 1 x 100Mbps, SR9900AI
	USB	1 x Micro USB, 4 x USB 2.0
	CAN	2 x CAN
	Display Port	HDMI
Power	Input Voltage	DC 24V
	Power	20W
Physical	Dimension (WxHxD/mm)	440mm x 294mm x 60mm (15.24" x 13.39" x 2.26")
	Open Size (WxH/mm)	431mm x 285mm (16.97" x 12.95")
	Net Weight(kg)	4.4kg
	Mounting	Embedded,Wall-mounted,Desktop,VESA
LCD	Display Type	17.3" FHD TFT
	Resolution	1920 x 1080
	Colors	16.7M
	Active Area (WxH/mm)	381.888mm x 214.812mm (15.03" x 8.46")
	Backlight	LED
	MTBF (hour)	50000hrs
	Pixel Pitch (HxV)	0.1989 x 0.1989
	Luminance(cd/m2)	400cd/m2
	Contrast Ratio	600:1
	Viewing Angle	(L)80 / (R)80 / (U)60 / (D)80
Touchscreen	Touch Type	Single point resistive touchscreen & Multi-point capacitive touchscreen & Non-touch screen
	Light Transmission	>85%
	Controller	USB interface
	Driver Support	Ubuntu, Ubuntu Mate
	Multi-touch	10 points (LINUX)
	Surface Hardness	Resistive touchscreen: Mohs' Number>= 3H; Capacitive touchscreen: Mohs' Number 7H
Environment	Operating Temperature	0 ~ 70°C
	Storage Temperature	-20 ~ 70°C
	Relative Humidity	5~95% (Non condensation)
	Shock	Operating 10G peak acceleration(11 ms duration), follow IEC 60068-2-27
	Vibration	Operating Random Vibration Test 5~500Hz, 1Grms@with HDD; 2Grms@with SSD, follow IEC 60068-2-64
	EMC	CE/FCC Class A
	Front Panel Protection	IP65



Panel Cutout Dimensions: 431mm x 285mm (16.97" x 12.95")

External I/O View



Interface definition :

- A: DC IN
- B: Micro USB
- C: HDMI
- D: 4 x USB2.0
- E: 2 x Ethernet LAN
- F: 2 x CAN

Ordering Information

Part Number	Description
PI21173	17.3" TFT LCD / Resistive touch screen / DC 24V / Resolution 1920 x 1080 / 2xLAN / 4 x USB / 1 x HDMI / 2 x CAN / 1 x Micro USB
PI22173	17.3" TFT LCD / Capacitive touch screen / DC 24V / Resolution 1920 x 1080 / 2xLAN / 4 x USB / 1 x HDMI / 2 x CAN / 1 x Micro USB
PI24173	17.3" TFT LCD / Non-touch screen / DC 24V / Resolution 1920 x 1080 / 2xLAN / 4 x USB / 1 x HDMI / 2 x CAN / 1 x Micro USB

Packing List

Terminal	3 pin 3pin spring clamp terminal
----------	----------------------------------

Note: Package contents are subject to change without prior notice