

Powerful. Beautiful.
Excellence · Innovation

PI21121
PI22121
PI24121



Shanghai Panelmate Electronics Co., Ltd.

12.1" XGA Raspberry Panel PC

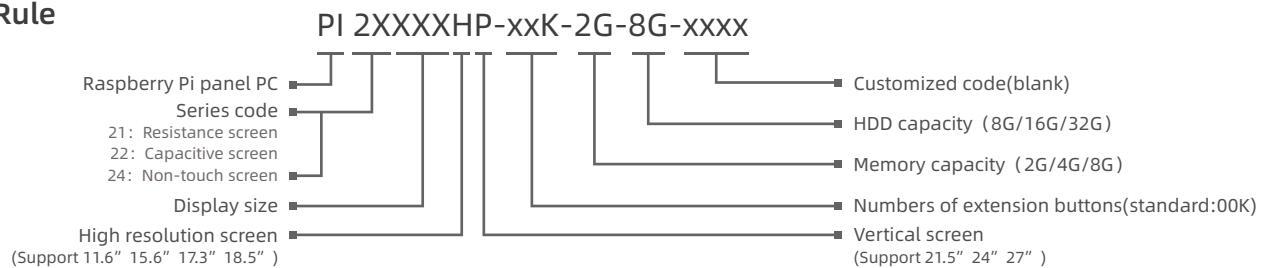




Features

- Display type: 10.1", 10.4", 11.6", 12.1", 12.2", 15", 15.6", 17", 17.3", 18.5", 19", 21.5", 24", 27"
- Front panel/back cover: Aluminium-magnesium alloy
- Front panel/Rear: IP65 / IP20
- Screen Type: Single point resistive touchscreen, Multi-point capacitive touchscreen, Non-touch screen
- Built-in UPS power supply
- RTC real-time clock
- OS: LINUX or Raspberry PI
- Interface: HDMI, Type-C, 4xUSB and 2xCAN
- DC 24V

Namely Rule

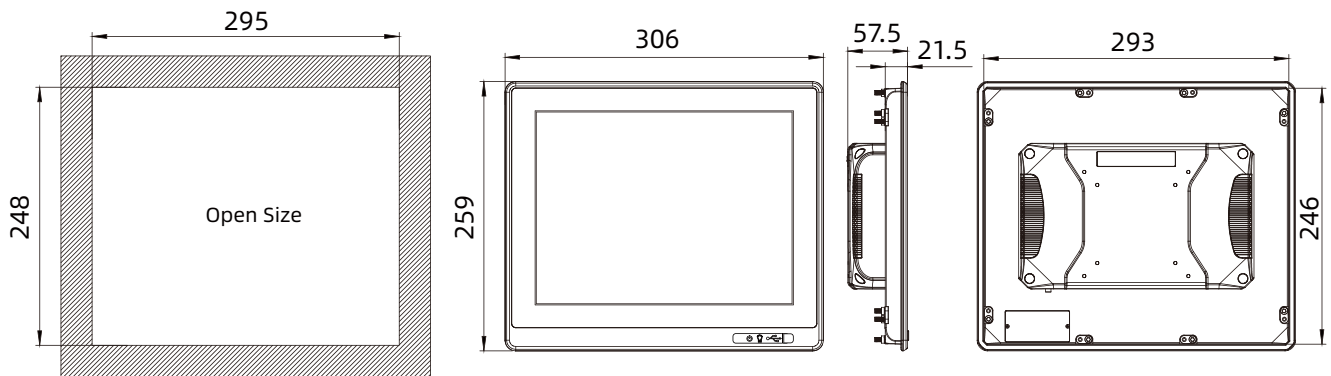


Specifications

| Model | PI21121&PI22121&PI24121 | |
|-------------|-------------------------|--|
| Processor | CPU | Broadcom BCM2711 1.5 GHz,64-bit,4 cores,ARM Cortex-A72 |
| | Memory | 2G (Deafult) /4G/8G |
| | Storage | 8G eMMC (Deafult) /16G/32G eMMC |
| I/O | LAN | 1 x 1000Mbps, BCM54210PE; 1 x 100Mbps, SR9900AI |
| | USB | 1 x Micro USB, 4 x USB 2.0 |
| | CAN | 2 x CAN |
| | Display Port | HDMI |
| Power | Input Voltage | DC 24V |
| | Power | 19W |
| Physical | Dimension (WxHxD/mm) | 306 x 259 x 57.5 (12.05" x 10.20" x 2.26") |
| | Open Size (WxH/mm) | 295 x 248 (11.61" x 9.76") |
| | Net Weight(kg) | 2.65kg |
| | Mounting | Embedded,Wall-mounted,Desktop,VESA |
| LCD | Display Type | 12.1" XGA TFT |
| | Resolution | 1024 x 768 |
| | Colors | 16.7M |
| | Active Area (WxH/mm) | 304.1 x 228.1 (11.97" x 8.98") |
| | Backlight | LED |
| | MTBF (hour) | 50000hrs |
| | Pixel Pitch (HxV) | 0.24 x 0.24 |
| | Luminance(cd/m2) | 350cd/m2 |
| | Contrast Ratio | 800:1 |
| | Viewing Angle | (L)80 / (R)80 / (U)80 / (D)80 |
| Touchscreen | Touch Type | Single point resistive touchscreen & Multi-point capacitive touchscreen & Non-touch screen |
| | Light Transmission | >85% |
| | Controller | USB interface |
| | Driver Support | Ubuntu, Ubuntu Mate |
| | Multi-touch | 10 points (Windows) |
| | Surface Hardness | Resistive touchscreen: Mohs' Number>= 3H; Capacitive touchscreen: Mohs' Number 7H |
| Environment | Operating Temperature | -20 ~ 70°C |
| | Storage Temperature | -30 ~ 80°C |
| | Relative Humidity | 5~95% (Non condensation) |
| | Shock | Operating 10G peak acceleration(11 ms duration), follow IEC 60068-2-27 |
| | Vibration | Operating Random Vibration Test 5~500Hz, 1Grms@with HDD; 2Grms@with SSD, follow IEC 60068-2-64 |
| | EMC | CE/FCC Class A |
| | Front Panel Protection | IP65 |

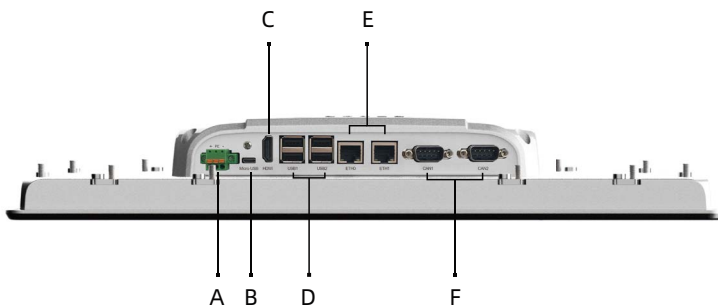
PI21121 & PI22121 & PI24121

Technical Drawings unit: mm



Panel Cutout Dimensions: 295 x 248mm (11.61 x 9.76in)

External I/O View



Interface definition:

- A: DC IN
- B: Micro USB
- C: HDMI
- D: 4 x USB2.0
- E: 2 x Ethernet LAN
- F: 2 x CAN

Ordering Information

| Part Number | Description |
|-------------|---|
| PI21121 | 12.1" TFT LCD / Resistive touch screen / DC 24V / Resolution 1024 x 768 / 2xLAN / 4 x USB / 1 x HDMI / 2 x CAN / 1 x Micro USB |
| PI22121 | 12.1" TFT LCD / Capacitive touch screen / DC 24V / Resolution 1024 x 768 / 2xLAN / 4 x USB / 1 x HDMI / 2 x CAN / 1 x Micro USB |
| PI24121 | 12.1" TFT LCD / Non-touch screen / DC 24V / Resolution 1024 x 768 / 2xLAN / 4 x USB / 1 x HDMI / 2 x CAN / 1 x Micro USB |

Packing List

| | |
|----------|----------------------------|
| Terminal | 3pin spring clamp terminal |
|----------|----------------------------|

Note: Package contents are subject to change without prior notice