

Powerful. Beautiful.

Excellence · Innovation

IDD22150EX-R2



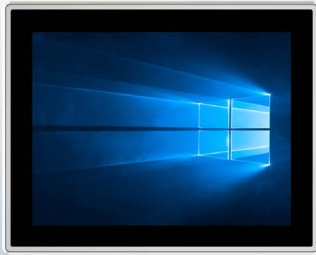
Shanghai Panelmate Electronics Co., Ltd.

15" XGA Industrial ATEX Monitor

PanelMate's ATEX products have passed
ATEX EU explosion-proof certification



PANELMATE
Creative HMI Solution



Features

- Passed the ATEX-Ex EU protection certificate
- Display size: 12.1",15",15.6",18.5",19",21.5"
- Front panel/back cover: Aluminium-magnesium alloy
- Front panel/Rear: IP65 / IP65
- Screen Type: Multi-point capacitive touchscreen
- OS: Win7,Win8,Win10,win11, Linux
- Add IDD-LINK4 ports for video and touch signal
- DC 24V
- Must purchase IDD-LINK4-T to cooperate with the use

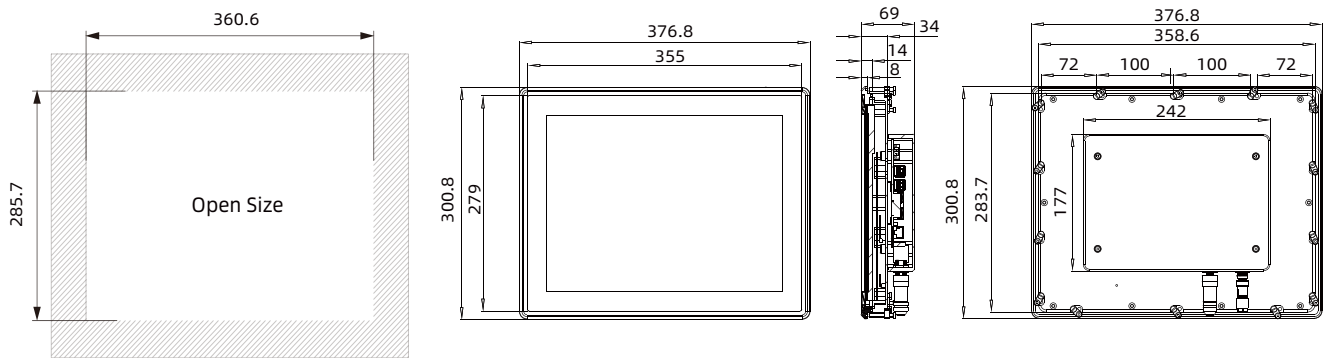
Namely Rule



Specifications

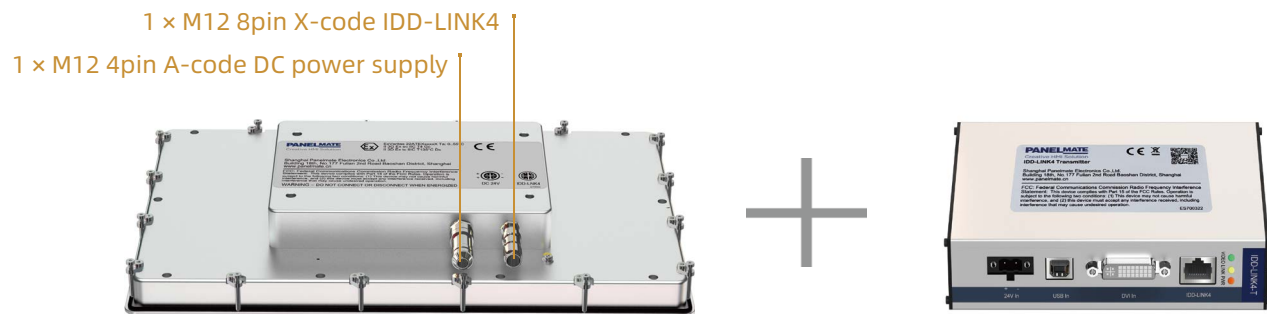
Model	IDD22150EX-R2	
Routine	Product Attribute	Built-in aluminium magnesium explosion-proof control display
	Housing	Front panel & back cover:Aluminium-magnesium alloy
	Mounting	Embedded, VESA 100 with waterproof nut
	Rear I/O	1 × M12 4pin DC power supply; 1 × M12 8pin IDD-LINK4
Power	Input Voltage	DC 24V input
	Power	21W
Physical	Dimension (WxHxD/mm)	376.8 x 300.8 x 69 (14.83" x 11.84" x 2.72")
	Open Size (WxH/mm)	360.6 x 285.7 (14.20" x 11.25")
	Net Weight(kg)	5.6kg
LED	Display type	15" XGA TFT
	Resolution	1024 x 768
	Colors	16.7M
	Active Area (WxH/mm)	304.1 x 228.1 (11.97" x 8.98")
	Backlight	LED
	MTBF(Hour)	50000hrs
	Pixel Pitch (HxV)	0.297 x 0.297
	Luminance(cd/m2)	350cd/m2
	Contrast Ratio	800:1
Viewing Angle	(L)80 / (R)80 / (U)80 / (D)80	
Touchscreen	Touch Type	Multi-point capacitive touchscreen
	Light Transmission	>85%
	Controller	USB interface
	Driver Support	Windows XP, Windows 7, Windows 8, Windows 10/11, Linux, CE
	Multi-touch	10 point
	Surface Hardness	Capacitive touchscreen: Mohs' Number 7H
Environment	Operating Temperature	0~55°C
	Storage Temperature	-20~60°C
	Relative Humidity	5 ~ 95% (Non condensation)
	Shock	Operating 10G peak acceleration(11 ms duration), follow IEC 60068-2-27
	Vibration	Operating Random Vibration Test 5~500Hz,1Grms@with HDD;2Grms@with SSD, follow IEC 60068-2-64
	EMC	CE/FCC Class A
Certification	Front Panel Protection	All IP65 waterproof and dustproof
		II 3 G Ex ec IIC T4 Gc
		II 3 D Ex tc IIIC T135°C Dc
		EN 60079-0:2018
		EN 60079-7:2015
	EN 60079-31:2014	

Technical Drawings unit: mm



Panel Cutout Dimensions: 360.6x 285.7mm (14.20 x 11.25in)

External I/O View



*** Notice: This product must be used with IDD-LINK4-T(sending end)**

Ordering Information

Part Number	Description
IDD22150EX-R2	15" TFT LCD / ATEX Capacitive touch screen / DC 24V Input / Resolution 1024 x 768
IDD-LINK4-T	KVM extender (transmitter box) / DC 24V

Optional Accessories

M12 to RJ45	5m / 10m / 15m / 20m
IDD-LINK4-T	1

Packing List

Cable	1x M12 to RJ45 (IDD-LINK4) 3m cable
Power input connector	1x M12 to 4pin power input connector

Note: Package contents are subject to change without prior notice