

Powerful. Beautiful.

Excellence · Innovation

IPC21156H

IPC22156H

IPC24156H



Shanghai Panelmate Electronics Co., Ltd.

15.6" FHD Industrial Panel PC(High Resolution) 

PANELMATE
Creative HMI Solution

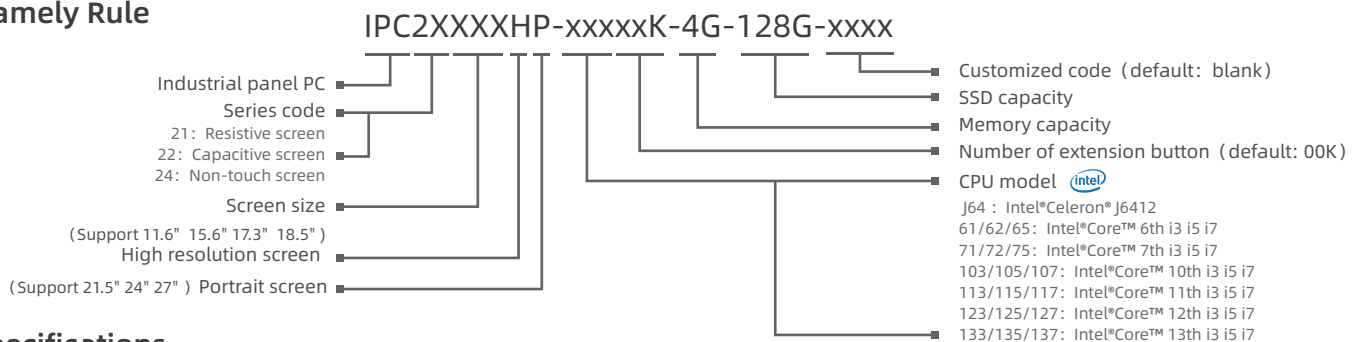
IPC21156H & IPC22156H & IPC24156H



Features

- Display type: 10.1", 10.4", 11.6", 12.1", 12.2", 15", 15.6", 17", 17.3", 18.5", 19", 21.5", 24", 27"
- Front panel/back cover: Aluminium-magnesium alloy
- Large aluminium fins design to ensure the reliability and heat dissipation
- IP: Front panel IP65 / Rear cover IP20
- Screen Type: Single point resistive touchscreen, Multi-point capacitive touchscreen, Tempered glass screen
- OS: Win7, Win8, Win10, Win11, Linux, etc
(Intel® Celeron® J6412, Intel®Core™ 10th or above don't support win7)
- Processor: Intel® Celeron® J6412, Intel® Core™ 6/7/10/11/12/13th i3/i5/i7
- According to the different motherboard, equipped with many interfaces
- DC 12~36V
- Extendable WIFI/4G
- Customized LOGO

Namely Rule

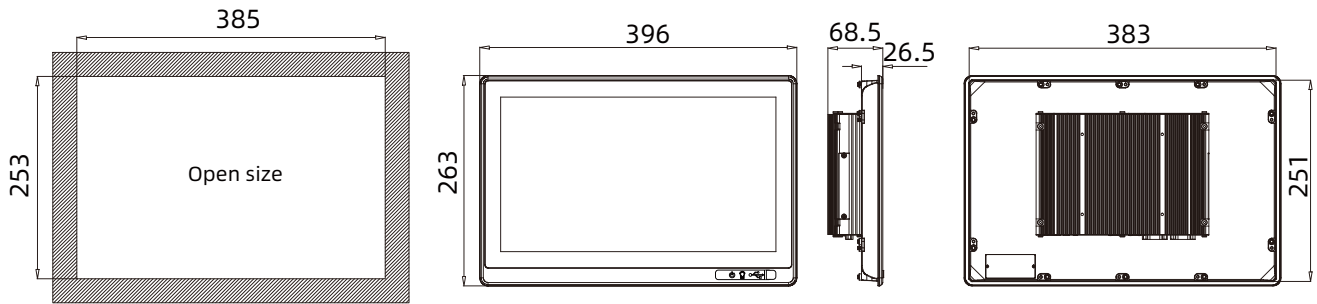


Specifications

Model	IPC21156H&IPC22156H&IPC24156H	
Processor	CPU	Intel® Celeron®J6412、Intel® Core™ 6/7/10/11/12/13th i3/i5/i7
	BIOS	AMI UEFI 64Mbit
	chipset	Intel®Soc
	Memory	DDR4-3200 Max 64G
	Storage	1 x mSATA+2 x M.2
I/O	Network (LAN)	2 x 1000Mbps RJ45 with surge protection / 3xRJ45 (processor Intel® Core™ 10/11/12/13th)
	Audio	Realtek ALC662VD audio controller, support 5.1 channels
	USB	4xUSB3.0
	COM	2xRS232/RS485 with surge protection, RS485 support automatic flow control
	Expansion Slot	1xMin-PCIe X1, Support 4G LTE/WIFI/BT with Sim card slot
	Rear I/O	Intel® Celeron®J6412: 1xHDMI/2xRJ45/4xUSB/2xCOM/AUDIO/DC IN/Reset/Ground Intel® Core™ 6/7th : 1xHDMI/2xRJ45/4xUSB/2xCOM/AUDIO/DC IN/Reset/Ground Intel® Core™ 10/11/12/13th: 1xHDMI/3xRJ45/4xUSB/2xCOM/DC IN/Reset/Ground
Power	Input Voltage	DC 12~36V
	Power	30W (Intel® Celeron®J6412、Intel® Core™ 6/7th) ; 108W (Intel® Core™ 10/11/12/13th)
Physical	Display Port	HDMI
	Dimension (WxHxD)	396mmx263mmx68.5mm (15.59"x10.35"x2.70")
	Open Size (WxH)	385mmx253mm (15.16"x9.96")
	Net Weight(kg)	4.25kg
	Mounting	Embedded;Wall-mounted;VESA
LCD	Display Type	15.6"FHD TFT
	Resolution	1920 x 1080
	Colors	16.7M
	Active Area (WxH)	344.23mmx193.54mm (13.55"x7.62")
	Backlight	LED
	MTBF (hour)	50000hrs
	Pixel Pitch (HxV)	0.252 x 0.252
	Luminance(cd/m2)	250cd/m2
	Contrast Ratio	3000:1
	Viewing Angle	(L) 89/ (R) 89/ (U) 89/ (D) 89
Touchscreen	Touch Type	Single point resistive touchscreen & Multi-point capacitive touchscreen & Tempered glass screen
	Light Transmission	>85%
	Controller	USB interface
	Driver Support	Windows7, Window8, Windows10, Windows11, Linux, etc (Intel® Celeron® J6412, Intel®Core™ 10 or above don't support Win7)
	Multi-touch	10 points
	Surface Hardness	Resistive touchscreen: Mohs' Number>= 3H; Capacitive touchscreen: Mohs' Number 7H
Environment	Operating Temperature	0~50°C
	Storage Temperature	-20~60°C
	Relative Humidity	5~95% (Non condensation)
	Shock	Operating 10G peak acceleration(11 ms duration), follow IEC 60068-2-27
	Vibration	Operating Random Vibration Test 5~500Hz, 1Grms@with HDD;2Grms@with SSD, follow IEC 60068-2-64
	EMC	CE/FCC Class A
Front Panel Protection	IP65	

IPC21156H & IPC22156H & IPC24156H

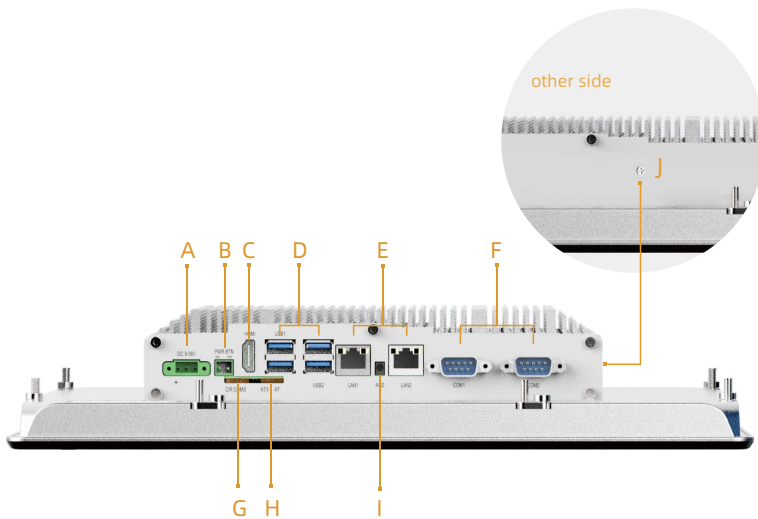
Technical Drawings unit: mm



Panel Cutout Dimensions: 385 x 253mm (15.16 x 9.96in)

External I/O View

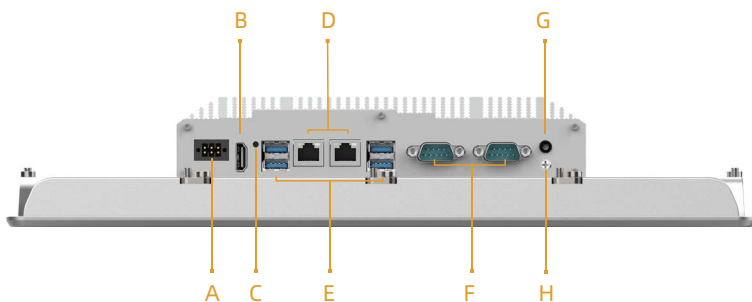
① The processor is 6th/7th Intel® Core™ i3/i5/i7 of IPC2XXXX series panel PC interface:



Interface definition:

- | | |
|-----------------|----------------------|
| A: DC IN | F: 2 x COM |
| B: power switch | G: clear CMOS switch |
| C: HDMI | H: ATX/AT switch |
| D: 4 x USB | I: Audio |
| E: 2 x RJ45 | J: GND |

② The processor is Intel®Celeron® J6412 of IPC2XXXX series panel PC Interface:

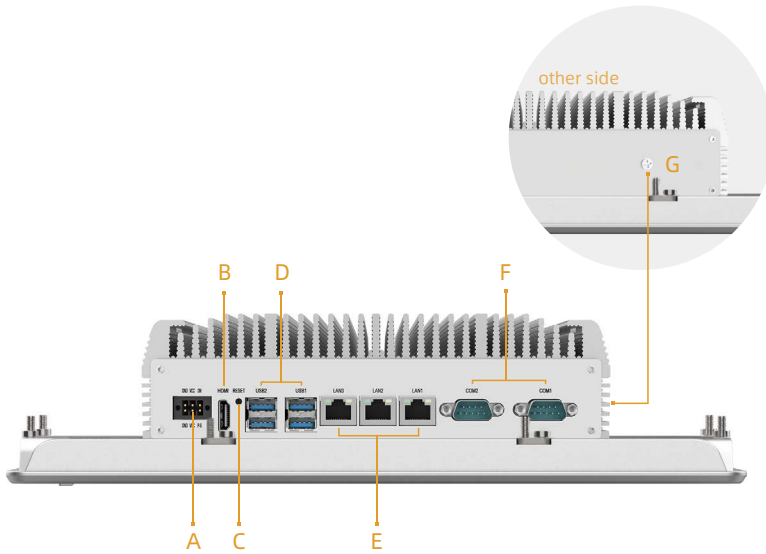


Interface definition:

- | | |
|-------------|---------------|
| A: DC IN | E: 4 x USB3.0 |
| B: HDMI | F: 2 x COM |
| C: Reset | G: Audio |
| D: 2 x RJ45 | H: GND |

IPC21156H & IPC22156H & IPC24156H

③ The processor is 10th/11th/12th/13th Intel® Core™ i3/i5/i7 of IPC2XXXX series panel PC interface:



Interface definition:

- A: DC IN
- B: HDMI
- C: Reset
- D: 4 x USB3.0
- E: 3 x RJ45
- F: 2 x COM
- G: GND

Ordering Information

Part Number	Description
IPC21156H-J6400K-8G-128G	15.6" TFT LCD / Resistive touch screen / No extension button / DC12~36V Input / Resolution 1920x1080 / Intel®Celeron® J6412 / 8G RAM / 128G mSATA / 2xLAN / 4xUSB / 1xHDMI
IPC22156H-J6400K-8G-128G	15.6" TFT LCD / Capacitive touch screen / No extension button / DC12~36V Input / Resolution 1920x1080 / Intel®Celeron® J6412 / 8G RAM / 128G mSATA / 2xLAN / 4xUSB / 1xHDMI
IPC24156H-J6400K-8G-128G	15.6" TFT LCD / Tempered glass screen / No extension button / DC12~36V Input / Resolution 1920x1080 / Intel®Celeron® J6412 / 8G RAM / 128G mSATA / 2xLAN / 4xUSB / 1xHDMI

Optional Accessories

mSATA	128G / 256G / 512G
2.5" HDD	512G / 1T / 2T
RAM	4G / 8G / 16G
M.2 SATA	128G / 256G / 512G / 1T

Packing List

terminal	2pin	Intel®Core™ 6th/7th
terminal	3pin	Intel®Core™ 6th/7th
terminal	6pin	Intel®Celeron® J6412 Intel®Core™ 10th/11th/12th/13th

Note: Package contents are subject to change without prior notice