

Powerful. Beautiful.

**Excellence · Innovation**

IDD21190-R2

IDD22190-R2

IDD24190-R2



## **Shanghai Panelmate Electronics Co., Ltd.**

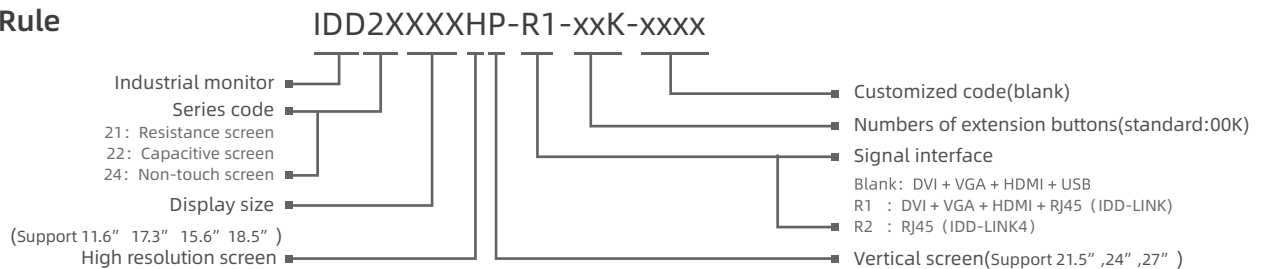
19" SXGA Industrial Monitor(with KVM IDD-LINK4)



## Features

- Display type: 10.1", 10.4", 11.6", 12.1", 12.2", 15", 15.6", 17", 17.3", 18.5", 19", 21.5", 24", 27"
- Front panel/back cover: Aluminium-magnesium alloy
- Front panel/Rear: IP65 / IP20
- Screen Type: Multi-point capacitive touchscreen, Non-touch screen
- OS: Windows7, Window8, Windows10, Windows11, Linux, etc
- Video and touch signals can use the IDD-LINK4 interface simultaneously or using HDMI and USB signals separately  
notice:both cannot be used simultaneously
- DC 24V
- R1 (IDD-LINK) Long distance USB signal output, support 50m
- R2 (IDD-LINK4) Video and USB are transmitted via a single CAT6 network cable, Transmission distance up to 100m

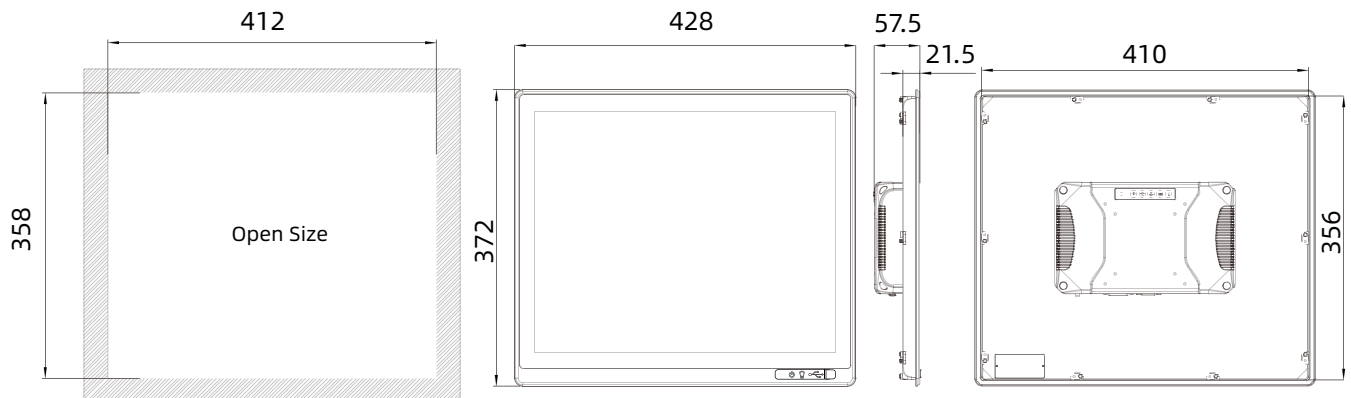
## Namely Rule



## Specifications

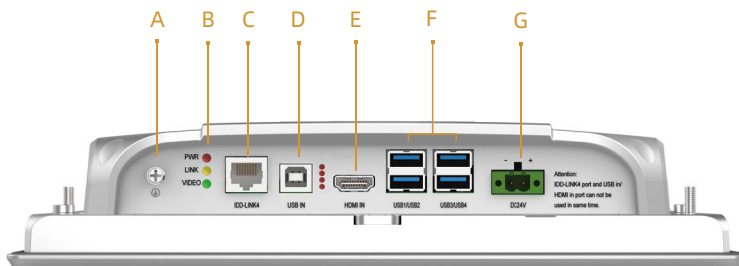
| Model              | IDD21190-R2&IDD22190-R2&IDD24190-R2 |   |
|--------------------|-------------------------------------|---|
| <b>Routine</b>     | Control button                      | Set contrast ratio and luminance via OSD at the back cover                                    |
|                    | Housing                             | Front panel & back cover:Aluminium-magnesium alloy,Grounding isolation protection             |
|                    | Mounting                            | Embedded,Wall-mounted,VESA ,Desktop   |
|                    | Rear I/O                            | IDD-LINK4(or HDMI interface) notice:both cannot be used simultaneously                        |
| <b>Power</b>       | Input Voltage                       | DC 24V  |
|                    | Power                               | 24W   |
| <b>Physical</b>    | Dimension (WxD/mm)                  | 428 x 372 x 57.5 ( 16.85" x 14.65" x 2.26" )  |
|                    | Open Size (WxD/mm)                  | 412 x 358 ( 16.22" x 14.09" )   |
|                    | Net Weight(kg)                      | 5.15kg  |
| <b>LCD</b>         | Display type                        | 19" SXGA TFT  |
|                    | Resolution                          | 1280 x 1024   |
|                    | Colors                              | 16.7M   |
|                    | Active Area (WxD/mm)                | 376.32 x 301.06 ( 14.82" x 11.85" )   |
|                    | Backlight                           | LED   |
|                    | MTBF(Hour)                          | 30000hrs  |
|                    | Pixel Pitch (HxV)                   | 0.294 x 0.294   |
|                    | Luminance(cd/m2)                    | 250   |
|                    | Contrast Ratio                      | 1000: 1   |
|                    | Viewing Angle                       | (L)85 / (R)85 / (U)80 / (D)80   |
| <b>Touchscreen</b> | Touch Type                          | Single point resistive touchscreen & Multi-point capacitive touchscreen & Non-touch screen    |
|                    | Light Transmission                  | >85%  |
|                    | Controller                          | USB interface   |
|                    | Driver Support                      | Windows7, Window8, Windows10, Windows11, Linux, etc   |
|                    | Multi-touch                         | 10 points   |
|                    | Surface Hardness                    | Resistive touchscreen: Mohs' Number >= 3H;Capacitive touchscreen: Mohs' Number 7H             |
| <b>Environment</b> | Operating Temperature               | 0 ~ 50°C  |
|                    | Storage Temperature                 | 20 ~ 60°C   |
|                    | Relative Humidity                   | 5 ~ 95% (Non condensation)  |
|                    | Shock                               | Operating 10G peak acceleration(11 ms duration), follow IEC 60068-2-27                        |
|                    | Vibration                           | Operating Random Vibration Test 5~500Hz, 1Grms@with HDD;2Grms@with SSD, follow IEC 60068-2-64 |
|                    | EMC                                 | CE/FCC Class A  |
|                    | Front Panel Protection              | Front panel IP65 compliant  |

## Technical Drawings unit: mm



Panel Cutout Dimensions: 412 x 358mm (16.22 x 14.09in)

## External I/O View



Interface definition:

- A: GND
- B: Indicator Light: PWR/LINK/VIDEO
- C: IDD-LINK4
- D: USB input
- E: HDMI
- F: USB output
- G: DC 24V

**\*Notice: The ports of IDD-LINK4 and USB input/HDMI cannot be used simultaneously.**

## Ordering Information

| Part Number | Description   |
|-------------|---|
| IDD21190-R2 | 19" TFT LCD / Resistive touch screen / DC24V Input / Resolution 1280x1024 |
| IDD22190-R2 | 19" TFT LCD / Capacitive touch screen / DC24V Input/ Resolution 1280x1024 |
| IDD24190-R2 | 19" TFT LCD / Non-touch screen / DC24V Input/ Resolution 1280x1024        |

## Optional Accessories

|               |                          |
|---------------|--------------------------|
| Network cable | 5m / 10m / 15m / 20m     |
| DVI           | 1.5m / 2m / 3m / 5m      |
| USB           | 1.5m / 2m / 3m / 5m      |
| DP to DVI     | 1m / 1.5m / 2m / 3m / 5m |
| HDMI to DVI   | 1m / 1.5m / 2m / 3m / 5m |

## Packing List

|          |                             |
|----------|-----------------------------|
| Terminal | 2 pin spring clamp terminal |
|----------|-----------------------------|

Note: Package contents are subject to change without prior notice