

Powerful. Beautiful.

**Excellence · Innovation**

IDD21104-R2

IDD22104-R2

IDD24104-R2



## **Shanghai Panelmate Electronics Co., Ltd.**

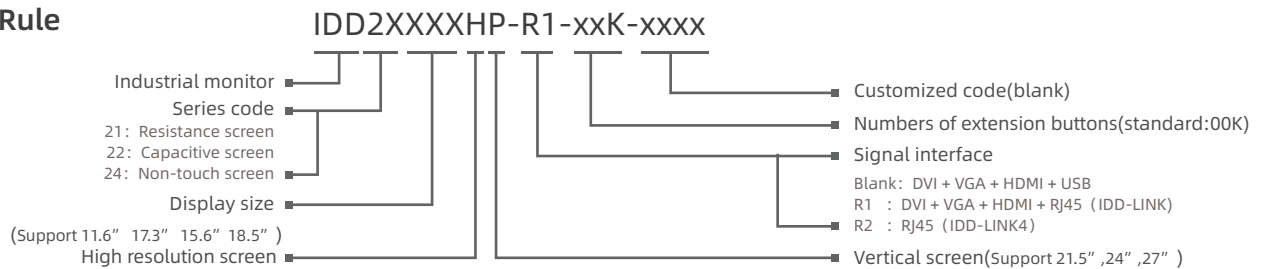
10.4" XGA Industrial Monitor(with KVM IDD-LINK4)



## Features

- Display type: 10.1", 10.4", 11.6", 12.1", 12.2", 15", 15.6", 17", 17.3", 18.5", 19", 21.5", 24", 27"
- Front panel/back cover: Aluminium-magnesium alloy
- Front panel/Rear: IP65 / IP20
- Screen Type: Multi-point capacitive touchscreen, Non-touch screen
- OS: Windows7, Window8, Windows10, Windows11, Linux, etc
- Video and touch signals can use the IDD-LINK4 interface simultaneously or using HDMI and USB signals separately  
notice: both cannot be used simultaneously
- DC 24V
- R1 (IDD-LINK) Long distance USB signal output, support 50m
- R2 (IDD-LINK4) Video and USB are transmitted via a single CAT6 network cable, Transmission distance up to 100m

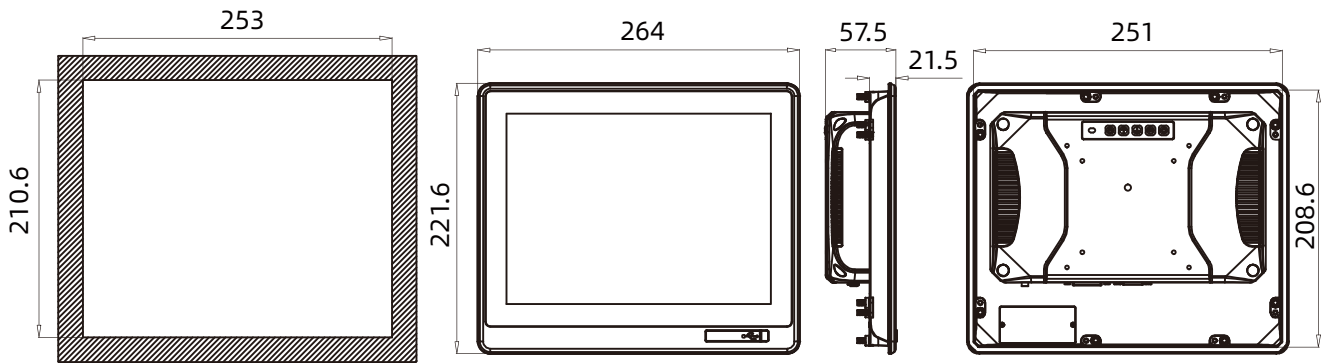
## Namely Rule



## Specifications

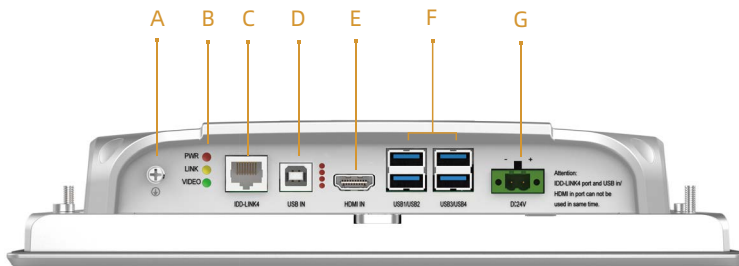
Model	IDD21104-R2&IDD22104-R2&IDD24104-R2	
Routine	Control button	Set contrast ratio and luminance via OSD at the back cover
	Housing	Front panel & back cover:Aluminium-magnesium alloy,Grounding isolation protection
	Mounting	Embedded,Wall-mounted,VESA ,Desktop
	Rear I/O	IDD-LINK4(or HDMI interface) notice:both cannot be used simultaneously
Power	Input Voltage	DC 24V
	Power	15W
Physical	Dimension (WxHxD/mm)	264 x 221.6 x 57.5 ( 10.39" x 8.72" x 2.26")
	Open Size (WxH/mm)	253 x 210.6 ( 9.96" x 8.29")
	Net Weight(kg)	2.1kg
LCD	Display type	10.4" XGA TFT
	Resolution	1024 x 768
	Colors	16.7M
	Active Area (WxH/mm)	211.2 x 158.4 ( 8.31" x 6.24")
	Backlight	LED
	MTBF(Hour)	30000hrs
	Pixel Pitch (HxV)	0.2063x0.2063
	Luminance(cd/m2)	350
	Contrast Ratio	900:1
	Viewing Angle	(L)75 / (R)75 / (U)75 / (D)75
Touchscreen	Touch Type	Single point resistive touchscreen & Multi-point capacitive touchscreen & Non-touch screen
	Light Transmission	>85%
	Controller	USB interface
	Driver Support	Windows7, Window8, Windows10, Windows11, Linux, etc
	Multi-touch	10 points
	Surface Hardness	Resistive touchscreen: Mohs' Number >= 3H;Capacitive touchscreen: Mohs' Number 7H
Environment	Operating Temperature	-20 ~ 70°C
	Storage Temperature	-20 ~ 70°C
	Relative Humidity	5 ~ 95% (Non condensation)
	Shock	Operating 10G peak acceleration(11 ms duration), follow IEC 60068-2-27
	Vibration	Operating Random Vibration Test 5~500Hz,1Grms@with HDD;2Grms@with SSD, follow IEC 60068-2-64
	EMC	CE/FCC Class A
	Front Panel Protection	Front panel IP65 compliant

## Technical Drawings unit: mm



Panel Cutout Dimensions: 253 x 210.6mm (9.96 x 8.29in)

## External I/O View



**\*Notice:** The ports of IDD-LINK4 and USB input/HDMI cannot be used simultaneously.

### Interface definition:

- A: GND
- B: Indicator Light: PWR/LINK/VIDEO
- C: IDD-LINK4
- D: USB input
- E: HDMI
- F: USB output
- G: DC 24V

## Ordering Information

Part Number	Description
IDD21104-R2	10.4" TFT LCD / Resistive touch screen / DC24V Input / Resolution 1024 x 768
IDD22104-R2	10.4" TFT LCD / Capacitive touch screen / DC24V Input/ Resolution 1024 x 768
IDD24104-R2	10.4" TFT LCD / Non-touch screen / DC24V Input/ Resolution 1024 x 768

## Optional Accessories

Network cable	5m / 10m / 15m / 20m
DVI	1.5m / 2m / 3m / 5m
USB	1.5m / 2m / 3m / 5m
DP to DVI	1m / 1.5m / 2m / 3m / 5m
HDMI to DVI	1m / 1.5m / 2m / 3m / 5m

## Packing List

Terminal	2 pin spring clamp terminal
----------	-----------------------------

Note: Package contents are subject to change without prior notice