

Powerful. Beautiful.

Excellence · Innovation



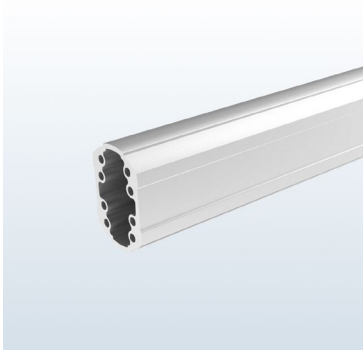
Shanghai Panelmate Electronics Co., Ltd.

6085 Series Arm Components

PANELMATE
Creative HMI Solution

6085 Series Arm Components

Pipe

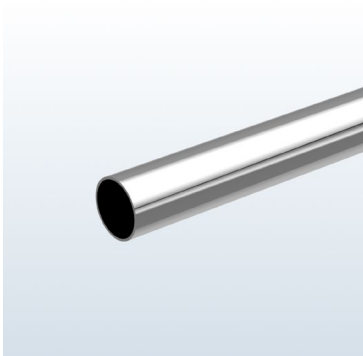
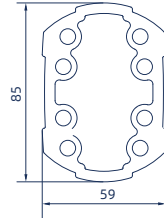


Supporting pipe Model 60

Material and surface finish: Anodized aluminum profile

Material number: ES203903

Order number: 6085.025 (250mm)
6085.050 (500mm)
6085.100 (1000mm)
6085.200 (2000mm)

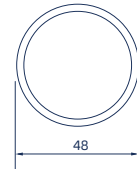


Supporting pipe Model 48

Material and surface finish: Stainless steel

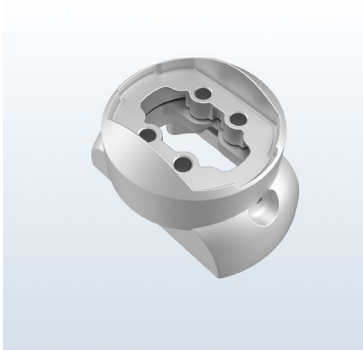
Material number: XB48-100

Order number: XB48-025 (250mm)
XB48-050 (500mm)
XB48-100 (1000mm)



6085 Series Arm Components

Arm Components



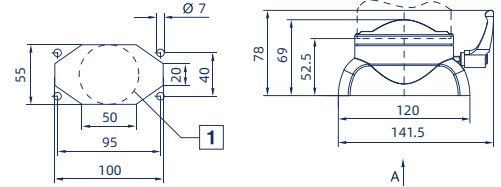
Connection component, size 120x65mm

Material and surface finish: cast aluminium--bright silver baking finish

Rotation angle: 320°

Material number: ES301307

Order number: 6085.340



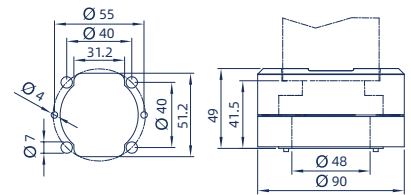
Connection component, dia. 90mm

Material and surface finish: cast aluminium--bright silver baking finish

Rotation angle: 320°

Material number: ES301265

Order number: 6085.301



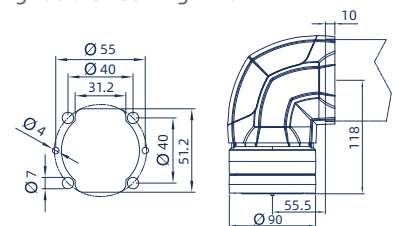
90° adapter, dia. 90mm

Material and surface finish: cast aluminium--bright silver baking finish

Rotation angle: 320°

Material number: ES301266

Order number: 6085.380

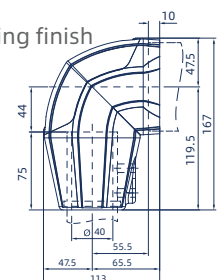


90° corner adapter, for model 6085 and 48

Material and surface finish: cast aluminium--bright silver baking finish

Material number: ES301267

Order number: 6085.640



6085 Series Arm Components

Arm Components



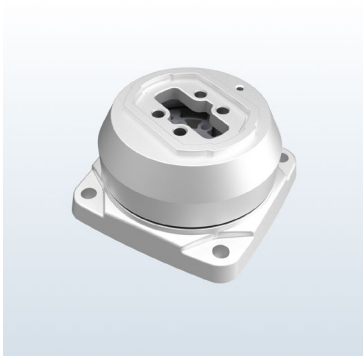
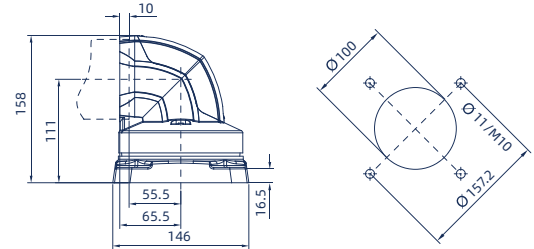
Top mounted splicer with horizontal outlet

Material and surface finish: cast aluminium--bright silver baking finish

Rotation angle: 320°

Material number: ES301269

Order number: 6085.700



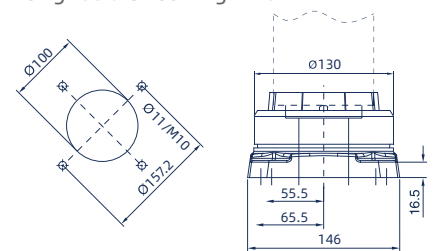
Top mounted splicer with vertical outlet

Material and surface finish: cast aluminium--bright silver baking finish

Rotation angle: 320°

Material number: ES301270

Order number: 6085.720



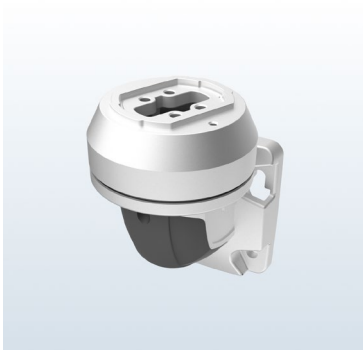
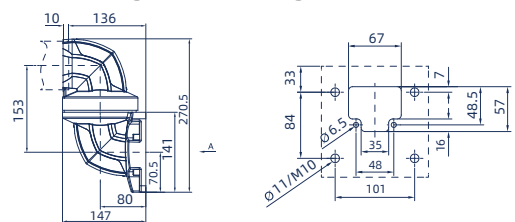
Wall mounted splicer of model 60, horizontal outlet

Material and surface finish: cast aluminium--bright silver baking finish

Rotation angle: 320°

Material number: ES301271

Order number: 6085.740



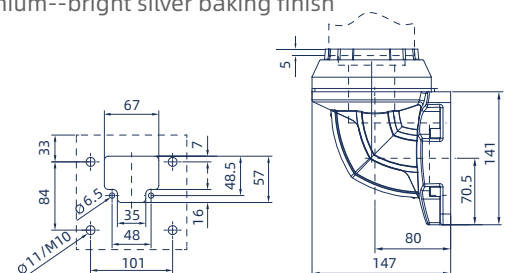
Wall mounted splicer of model 60, vertical outlet

Material and surface finish: cast aluminium--bright silver baking finish

Rotation angle: 320°

Material number: ES301272

Order number: 6085.760



6085 Series Arm Components

Arm Components



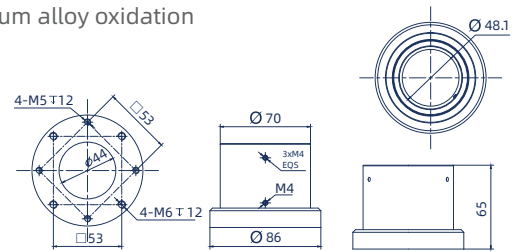
Connection part of model 48

Material and surface finish: Aluminum alloy oxidation

Rotation angle: 320°

Material number: ES500173

Order number: ES500173

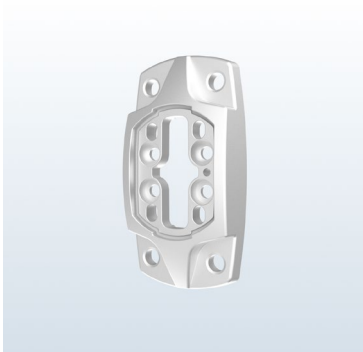
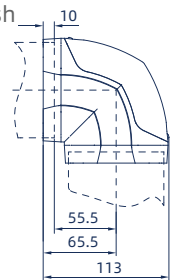


90° corner fastener

Material and surface finish: cast aluminium--bright silver baking finish

Material number: ES301274

Order number: 6085.600

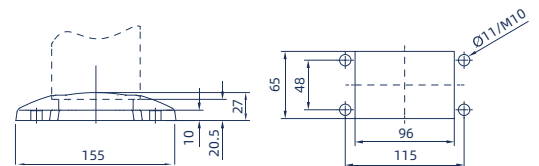


Wall soleplate fixed type 60

Material and surface finish: cast aluminium--bright silver baking finish

Material number: ES203899

Order number: 6085.820



15° Angle adapter for supporting arm connection, diameter 90mm

Material and surface finish: cast aluminium--bright silver baking finish

Material number: ES203068

Order number: 6085.401

