

Powerful. Beautiful.

Excellence · Innovation

IDD22270 (P) -R2

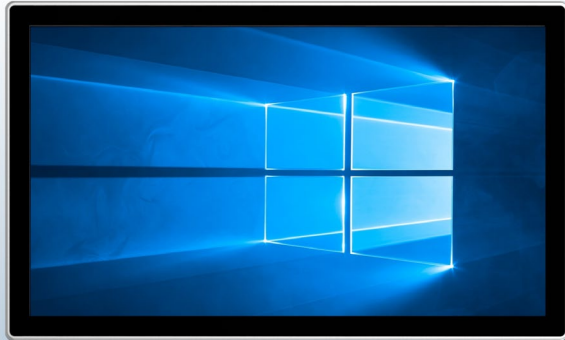
IDD24270 (P) -R2



Shanghai Panelmate Electronics Co., Ltd.

27" FHD Industrial Monitor(Vertical screen with KVM IDD-LINK4)

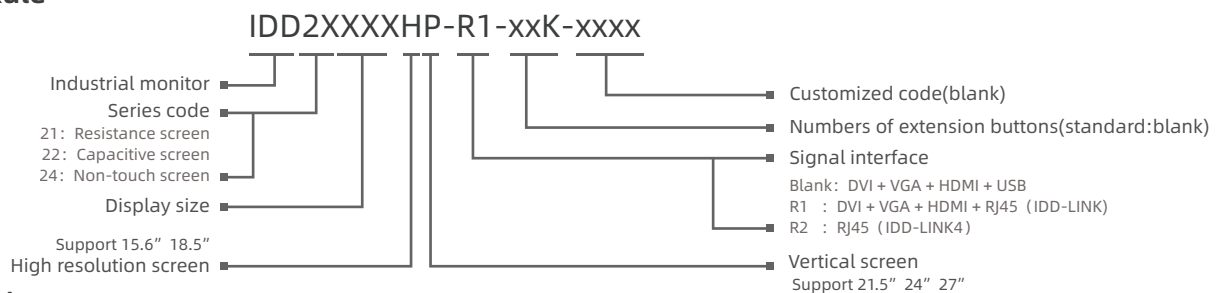
IDD22270(P)-R2 & IDD24270(P)-R2



Features

- Display type: 10.1", 10.4", 12.1", 12.2", 15", 15.6", 17", 18.5", 19", 21.5", 24", 27"
- Front panel/back cover: Aluminium-magnesium alloy
- Front panel/Rear: IP65 / IP20
- Screen Type: Multi-point capacitive touchscreen, Non-touch screen
- OS: Win XP, Win7, Win10/Win11, Win CE, LINUX
- Interface: IDD-LINK4, USB
- DC 24V
- R1 (IDD-LINK) Long distance USB signal output, support 50m
- R2 (IDD-LINK4) Video and USB are transmitted via a single CAT6 network cable, Transmission distance up to 100m

Namely Rule

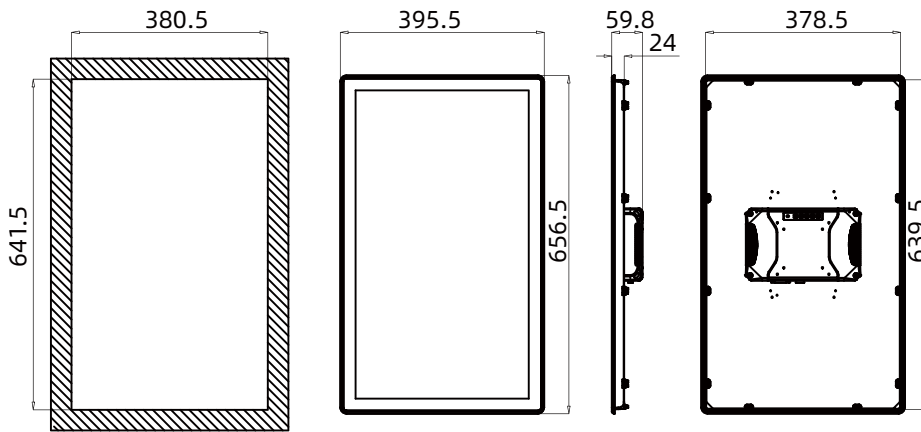


Specifications

Model	IDD22270 (P) -R2&IDD24270 (P) -R2	
Routine	Control button	Set contrast ratio and luminance via OSD at the back cover
	Housing	Front panel & back cover:Aluminium-magnesium alloy,Grounding isolation protection
	Mounting	Embedded,Wall-mounted,VESA ,Desktop
	Rear I/O	IDD-LINK4
Power	Input Voltage	DC 24V
	Power	46W
Physical	Dimension (WxHxD/mm)	395.5 x 656.5 x 59.8 (15.57" x 25.85"x 2.35")
	Open Size (WxH/mm)	380.5 x 641.5(14.98" x 25.26")
	Net Weight(kg)	8.25
LCD	Display type	27" FHD TFT
	Resolution	1920x1080
	Colors	16.7M
	Active Area (WxH/mm)	336 x 598(13.23" x 23.54")
	Backlight	LED
	MTBF(Hour)	30000hrs
	Pixel Pitch (HxV)	0.24825x0.24825
	Luminance(cd/m2)	250
	Contrast Ratio	3000:1
	Viewing Angle	(L)89 / (R)89 / (U)89 / (D)89
Touchscreen	Touch Type	Multi-point capacitive touchscreen & Non-touch screen
	Light Transmission	>85%
	Controller	USB interface
	Driver Support	Windows XP, Windows 7, Windows 8, Windows 10/11, Linux, CE
	Multi-touch	10 points
	Surface Hardness	Resistive touchscreen: Mohs' Number >= 3H;Capacitive touchscreen: Mohs' Number 7H
Environment	Operating Temperature	0 ~ 50°C
	Storage Temperature	-20 ~ 60°C
	Relative Humidity	5 ~ 95% (Non condensation)
	Shock	Operating 10G peak acceleration(11 ms duration), follow IEC 60068-2-27
	Vibration	Operating Random Vibration Test 5~500Hz,1Grms@with HDD;2Grms@with SSD, follow IEC 60068-2-64
	EMC	CE/FCC Class A
	Front Panel Protection	Front panel IP65 compliant

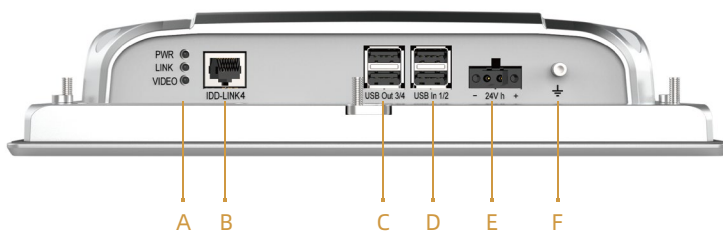
IDD22270 (P) & IDD24270 (P)

Technical Drawings unit: mm



Panel Cutout Dimensions: 380.5 x 641.5mm (14.98 x 25.26in)

External I/O View



Interface definition:

- A: Indicator Light: Power/LINK/Video
- B: IDD-LINK4
- C: USB output
- D: USB input
- E: DC 24V
- F: GND

Ordering Information

Part Number	Description
IDD22270 (P) -R2	27" TFT LCD / Capacitive touch screen / DC24V Input/ Resolution 1920x1080
IDD24270 (P) -R2	27" TFT LCD / Non-touch screen / DC24V Input/ Resolution 1920x1080

Optional Accessories

Network cable	5m / 10m / 15m / 20m
DVI	1.5m / 2m / 3m / 5m
USB	1.5m / 2m / 3m / 5m
DP to DVI	1m / 1.5m / 2m / 3m / 5m
HDMI to DVI	1m / 1.5m / 2m / 3m / 5m

Packing List

Terminal	2 pin spring clamp terminal
----------	-----------------------------

Note: Package contents are subject to change without prior notice