

Powerful. Beautiful.

**Excellence · Innovation**

IDD21190-R2

IDD22190-R2

IDD24190-R2



## **Shanghai Panelmate Electronics Co., Ltd.**

19" SXGA Industrial Monitor(with KVM IDD-LINK4)

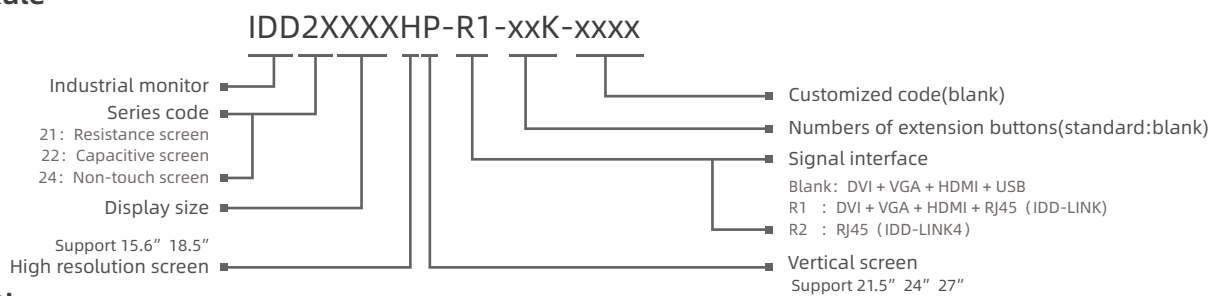
# IDD21190-R2 & IDD22190-R2 & IDD24190-R2



## Features

- Display type: 10.1", 10.4", 12.1", 12.2", 15", 15.6", 17", 18.5", 19", 21.5", 24", 27"
- Front panel/back cover: Aluminium-magnesium alloy
- Front panel/Rear: IP65 / IP20
- Screen Type: Single point resistive touchscreen, Multi-point capacitive touchscreen, Non-touch screen
- OS: Win XP, Win7, Win10/Win11, Win CE, LINUX
- Interface: IDD-LINK4, USB
- DC 24V
- R1 (IDD-LINK) Long distance USB signal output, support 50m
- R2 (IDD-LINK4) Video and USB are transmitted via a single CAT6 network cable, Transmission distance up to 100m

## Namely Rule

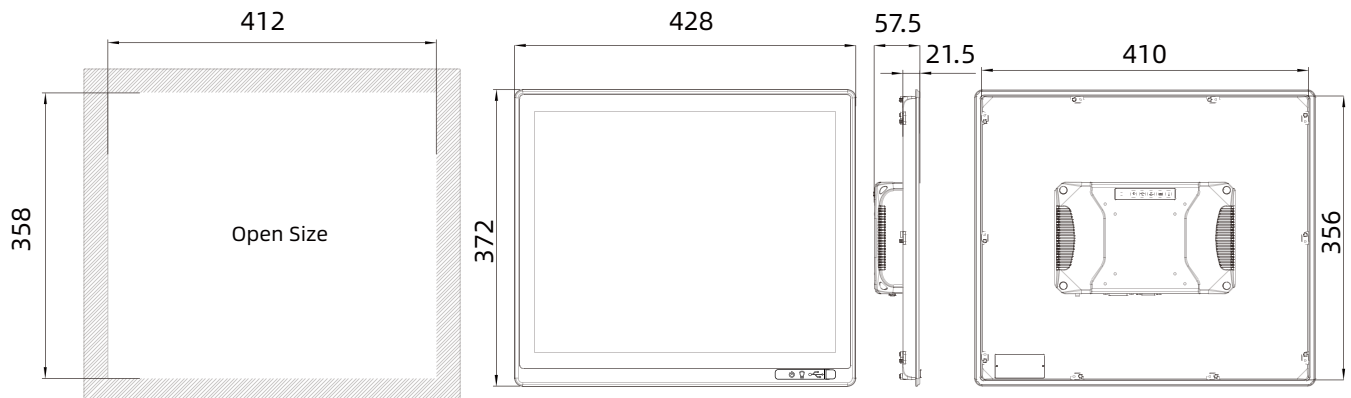


## Specifications

Model	IDD21190-R2&IDD22190-R2&IDD24190-R2	
<b>Routine</b>	Control button	Set contrast ratio and luminance via OSD at the back cover
	Housing	Front panel & back cover: Aluminium-magnesium alloy, Grounding isolation protection
	Mounting	Embedded, Wall-mounted, VESA, Desktop
	Rear I/O	IDD-LINK4
<b>Power</b>	Input Voltage	DC 24V
	Power	24W
<b>Physical</b>	Dimension (WxD/mm)	428 x 372 x 57.5 (16.85" x 14.65" x 2.26")
	Open Size (WxD/mm)	412 x 358 (16.22" x 14.09")
	Net Weight(kg)	5.15kg
<b>LCD</b>	Display type	19" SXGA TFT
	Resolution	1280 x 1024
	Colors	16.7M
	Active Area (WxD/mm)	376.32 x 301.06 (14.82" x 11.85")
	Backlight	LED
	MTBF(Hour)	30000hrs
	Pixel Pitch (HxV)	0.294 x 0.294
	Luminance(cd/m2)	250
	Contrast Ratio	1000: 1
	Viewing Angle	(L)85 / (R)85 / (U)80 / (D)80
<b>Touchscreen</b>	Touch Type	Single point resistive touchscreen & Multi-point capacitive touchscreen & Non-touch screen
	Light Transmission	>85%
	Controller	USB interface
	Driver Support	Windows XP, Windows 7, Windows 8, Windows 10/11, Linux, CE
	Multi-touch	10 points
	Surface Hardness	Resistive touchscreen: Mohs' Number >= 3H; Capacitive touchscreen: Mohs' Number 7H
<b>Environment</b>	Operating Temperature	0 ~ 50°C
	Storage Temperature	20 ~ 60°C
	Relative Humidity	5 ~ 95% (Non condensation)
	Shock	Operating 10G peak acceleration(11 ms duration), follow IEC 60068-2-27
	Vibration	Operating Random Vibration Test 5~500Hz, 1Grms@with HDD; 2Grms@with SSD, follow IEC 60068-2-64
	EMC	CE/FCC Class A
	Front Panel Protection	Front panel IP65 compliant

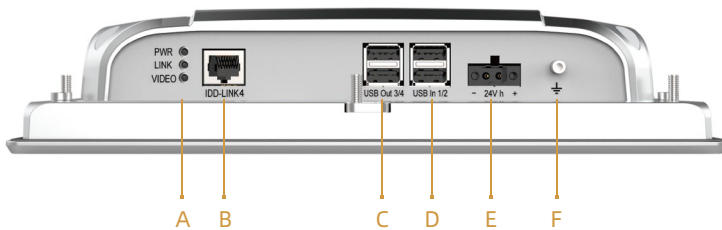
# IDD21190-R2 & IDD22190-R2 & IDD24190-R2

## Technical Drawings unit: mm



Panel Cutout Dimensions: 412 x 358mm (16.22 x 14.09in)

## External I/O View



### Interface definition:

- A: Indicator Light: Power/LINK/Video
- B: IDD-LINK4
- C: USB output
- D: USB input
- E: DC 24V
- F: GND

## Ordering Information

Part Number	Description
IDD21190-R2	19" TFT LCD / Resistive touch screen / DC24V Input / Resolution 1280x1024
IDD22190-R2	19" TFT LCD / Capacitive touch screen / DC24V Input/ Resolution 1280x1024
IDD24190-R2	19" TFT LCD / Non-touch screen / DC24V Input/ Resolution 1280x1024

## Optional Accessories

Network cable	5m / 10m / 15m / 20m
DVI	1.5m / 2m / 3m / 5m
USB	1.5m / 2m / 3m / 5m
DP to DVI	1m / 1.5m / 2m / 3m / 5m
HDMI to DVI	1m / 1.5m / 2m / 3m / 5m

## Packing List

Terminal	2 pin spring clamp terminal
----------	-----------------------------

Note: Package contents are subject to change without prior notice