

Powerful. Beautiful.
Excellence · Innovation

PI21190
PI22190
PI24190



Shanghai Panelmate Electronics Co., Ltd.

19" SXGA Raspberry Panel PC



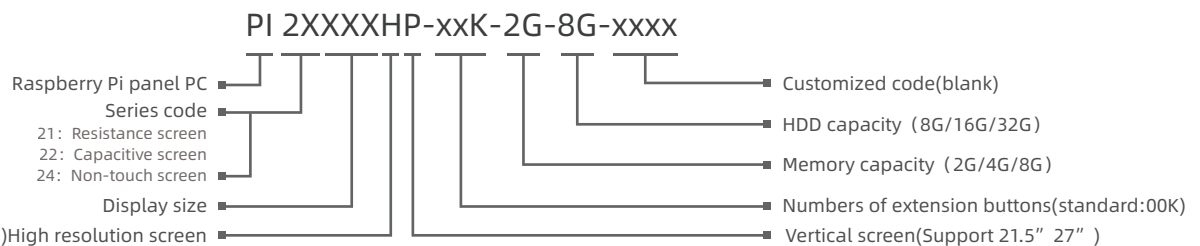
PI21190 & PI22190 & PI24190



Features

- Display type: 10.1", 10.4", 12.1", 12.2", 15", 15.6", 17", 18.5", 19", 21.5"
- Front panel/back cover: Aluminium-magnesium alloy
- Front panel/Rear: IP65 / IP20
- Screen Type: Single point resistive touchscreen, Multi-point capacitive touchscreen, Non-touch screen
- Built-in UPS power supply
- RTC real-time clock
- OS: LINUX or Raspberry PI
- Interface: HDMI, Type-C, 4xUSB and 2xCAN
- DC 24V

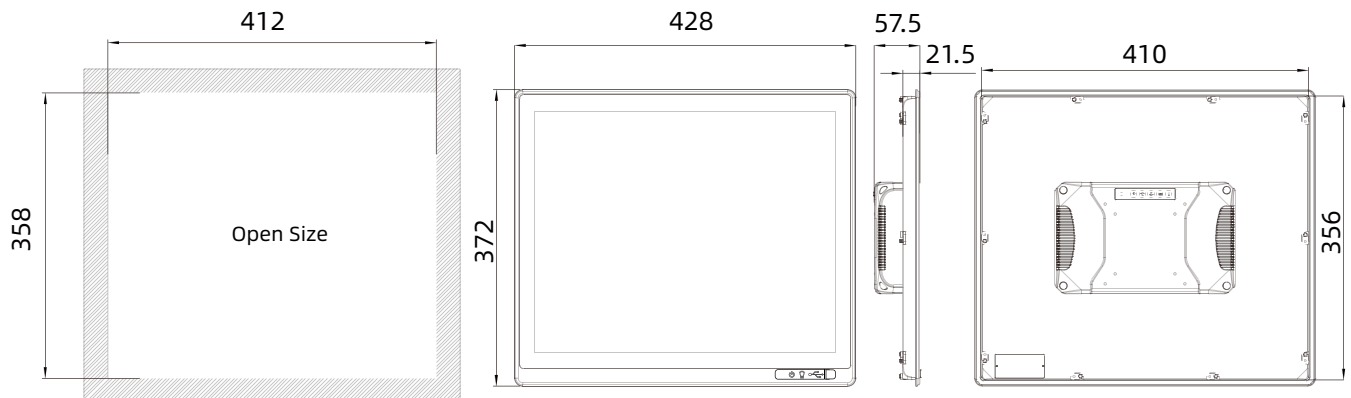
Namely Rule



Specifications

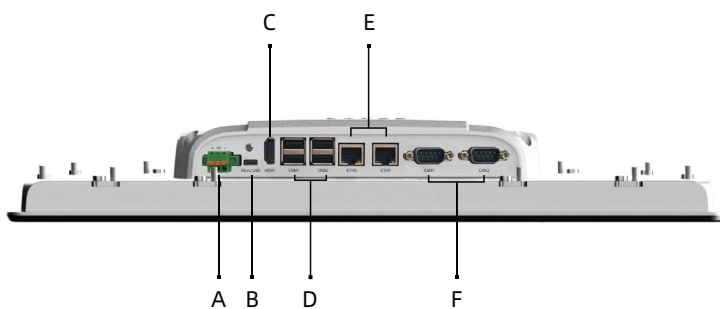
Model	PI21190&PI22190&PI24190	
Processor	CPU	Broadcom BCM2711 1.5 GHz,64-bit,4 cores,ARM Cortex-A72
	Memory	2G (Deafult) /4G/8G
	Storage	8G eMMC (Deafult) /16G/32G eMMC
I/O	LAN	1 x 1000Mbps, BCM54210PE; 1 x 100Mbps, SR9900AI
	USB	1 x Micro USB, 4 x USB 2.0
	CAN	2 x CAN
	Display Port	HDMI
Power	Input Voltage	DC 24V
	Power	24W
Physical	Dimension (WxHxD/mm)	428 x 372 x 57.5 (16.85" x 14.65" x 2.26")
	Open Size (WxH/mm)	412 x 358 (16.22" x 14.09")
	Net Weight(kg)	5.1kg
	Mounting	Embedded,Wall-mounted,Desktop,VESA
LCD	Display Type	19" SXGA TFT
	Resolution	1280 x 1024
	Colors	16.7M
	Active Area (WxH/mm)	376.32 x 301.06 (14.82" x 11.85")
	Backlight	LED
	MTBF (hour)	30000hrs
	Pixel Pitch (HxV)	0.294 x 0.294
	Luminance(cd/m2)	250cd/m2
	Contrast Ratio	1000:1
	Viewing Angle	(L)85 / (R)85 / (U)80 / (D)80
Touchscreen	Touch Type	Single point resistive touchscreen & Multi-point capacitive touchscreen & Non-touch screen
	Light Transmission	>85%
	Controller	USB interface
	Driver Support	Ubuntu, Ubuntu Mate
	Multi-touch	10 points (LINUX)
	Surface Hardness	Resistive touchscreen: Mohs' Number>= 3H; Capacitive touchscreen: Mohs' Number 7H
Environment	Operating Temperature	-0 ~ 50°C
	Storage Temperature	-20 ~ 60°C
	Relative Humidity	5~95% (Non condensation)
	Shock	Operating 10G peak acceleration(11 ms duration), follow IEC 60068-2-27
	Vibration	Operating Random Vibration Test 5~500Hz, 1Grms@with HDD; 2Grms@with SSD, follow IEC 60068-2-64
	EMC	CE/FCC Class A
	Front Panel Protection	IP65

Technical Drawings unit: mm



Panel Cutout Dimensions: 412 x 358mm (16.22 x 14.09in)

External I/O View



Interface definition:

- A: DC IN
- B: Micro USB
- C: HDMI
- D: 2 x USB2.0
- E: 2 x Ethernet LAN
- F: 2 x CAN

Ordering Information

Part Number	Description
PI21190	19" TFT LCD / Resistive touch screen / DC 24V / Resolution 1280 x 1024 / 2xLAN / 4 x USB / 1 x HDMI / 2 x CAN / 1 x Micro USB
PI22190	19" TFT LCD / Capacitive touch screen / DC 24V / Resolution 1280 x 1024 / 2xLAN / 4 x USB / 1 x HDMI / 2 x CAN / 1 x Micro USB
PI24190	19" TFT LCD / Non-touch screen / DC 24V / Resolution 1280 x 1024 / 2xLAN / 4 x USB / 1 x HDMI / 2 x CAN / 1 x Micro USB

Packing List

Terminal	3pin spring clamp terminal
----------	----------------------------

Note: Package contents are subject to change without prior notice