

Powerful. Beautiful.

Excellence · Innovation

PC6960-PCI



Shanghai Panelmate Electronics Co., Ltd.

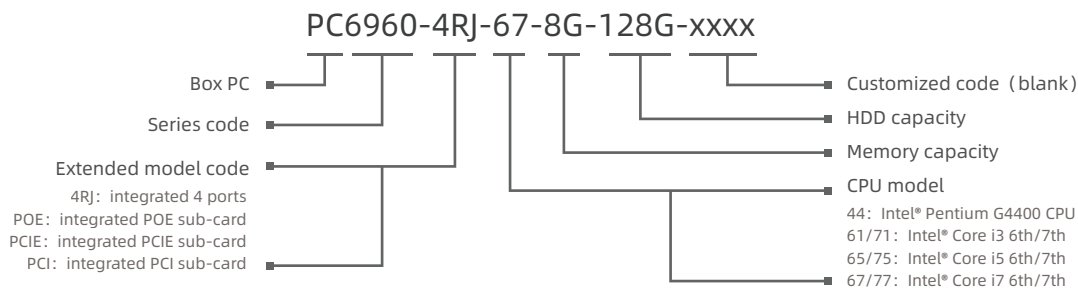
PC6960 Wall-mounted Box PC



Features

- Compacted aluminium-magnesium alloy profile housing, seal and dust proof design
- Unilateral interface, DIN rail wall-mounted
- 2 x Intel i210 Gbe LAN support EtherCAT jumbo frames
- 4 x USB3.0, built-in 1 x USB2.0, pluggable software dongle to prevent data loss
- DVI+DP dual interface
- 2 x COM (DB9), BIOS serial port setting RS232 or RS485
- Real-time optimization, more suitable for motion control
- Built-in integration 1 x PCIe x 1+1 x PCI
- DC 12~24V

Namely Rule

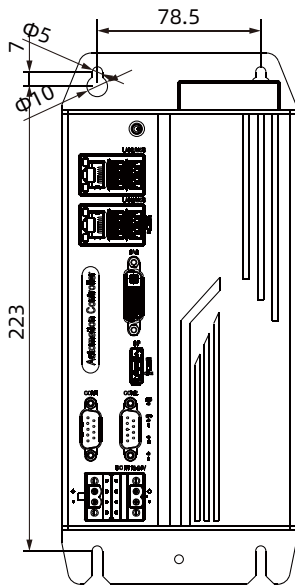


Specifications

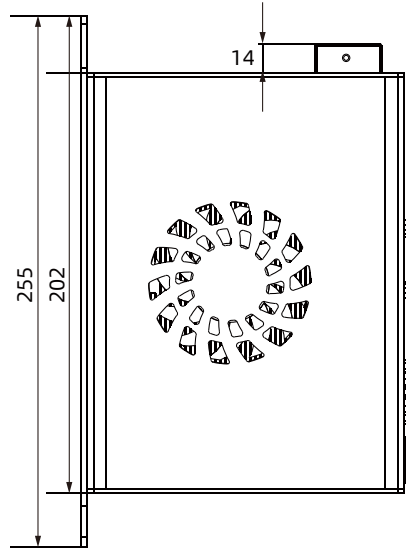
Model	PC6960-PCI	
Processor	CPU	6th Intel® Skylake-S / 7th Intel® Kabylake -S, Intel® Pentium G4400/ Intel® Core i3 i5 i7
	Chipset	Intel® H110
	BIOS	AMI UEFI 64Mbit
I/O	Storage	1x2.5" SATA 3.0 HDD/SDD, 1x full size mSATA (SATA & USB2.0)
	Memory	DDR4-2133/2400MHz, Preinstallation 4GB, Max: 16GB
	LAN	2 x Intel i210-AT 1000Mbps RJ45 with surge protection
	USB	4xUSB3.0, built-in 1xUSB2.0 (hardware USB softdog)
	COM	2xRS232/RS422/RS485, The interface is isolated from TVS (DB9), and the RS485 supports automatic flow control
	Expansion Slot	1xMini-PCIe(PCIe+USB)with SIM card slot, expandable 4G, LTE, BT, ETC + 1 x PCI + 1x PCIe x1
	Pilot lamp	1xPower light, 1xHDD light, 3xCPU temperature light (red: alarm; yellow: hyperthermia; green: normal)
	Input Voltage	DC 12~24V, 2x2 pin terminal
	MIO	1 x MIO optional CAN
	Wachtdog	0-255 programmable setting
	Control Switch	1xpower, 1xAT/ATX Optional switch, 1xClear/CMOS switch
	Display Type	DP Max-resolution:
DVI-I (DVI-D+VGA): DVI-D: resolution:		1920*1200@60Hz
VGA: resolution:		2560*1600@60Hz
OS	OS	INtime, EC-Win, RTX-2014/2016 and Ubuntu Preempt-RT Windows 7, Windows 10, Linux Fedora Ubuntu (remark: 7th Intel® Kabylake-S CPU don't supported Windows 7 32-bit)
Physical	Dimension (WxHxD)	202mm x 152mm x 112.7mm (7.95" x 5.98" x 4.44")
	Box Structure	Compacted aluminium-magnesium alloy profile housing, seal and dust-proof design, GND protection
	Mounting	Wall-mounted, DIN-Rail mounting
	Power	65W
	Net Weight	2.25kg
Environment	Operating Temperature	-20~60°C
	Storage Temperature	-40~80°C
	Relative Humidity	5~95% (Non condensation)
	Shock	Operating 10G peak acceleration(11 ms duration), follow IEC 60068-2-27
	Vibration	Operating Random Vibration Test 5~500Hz, 1Grms@with HDD; 2Grms@with SSD, follow IEC 60068-2-64
	EMC	CE/FCC Class A

PC6960-PCI

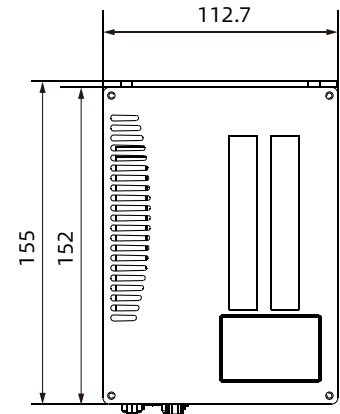
Technical Drawings unit: mm



Front view

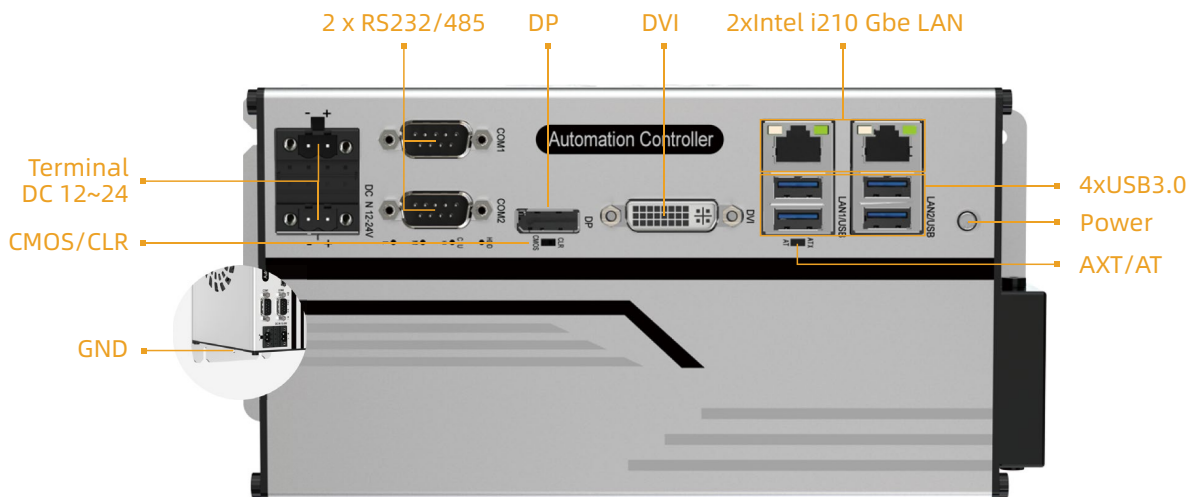


Side view



Top view

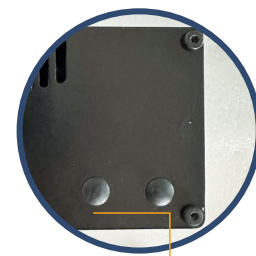
External I/O View



miniPCIe Expansion slot



USB2.0 Softdog



2 x Wireless antenna

Ordering Information

Part Number	Description
PC6960-PCI	CPU:Null, RAM: Null, mSATA: Null; 2xCOM (RS232/485 BIOS switchable) , 2 x LAN, 4 x USB3.0, DVI-I/DP interface, 1 x PCIe x 1 + 1 x PCI, DC12~24V power input
PC6960-PCI-44-4G-128G	CPU:Intel® Pentium dual Core™ G4400, RAM: 4G, mSATA: 128G; 2xCOM (RS232/485 BIOS switchable) , 2 x LAN, 4 x USB3.0, DVI-I/DP interface, 1 x PCIe x 1 + 1 x PCI, DC12~24V power input
PC6960-PCI-61-4G-128G	CPU:Intel® Core™ 6th i3-6100, RAM: 4G, mSATA: 128G; 2xCOM (RS232/485 BIOS switchable) , 2 x LAN, 4 x USB3.0, DVI-I/DP interface, 1 x PCIe x 1 + 1 x PCI, DC12~24V power input
PC6960-PCI-64-4G-128G	CPU:Intel® Core™ 6th i5-6400, RAM: 4G, mSATA: 128G; 2xCOM (RS232/485 BIOS switchable) , 2 x LAN, 4 x USB3.0, DVI-I/DP interface, 1 x PCIe x 1 + 1 x PCI, DC12~24V power input
PC6960-PCI-65-4G-128G	CPU:Intel® Core™ 6th i5-6500, RAM: 4G, mSATA: 128G; 2xCOM (RS232/485 BIOS switchable) , 2 x LAN, 4 x USB3.0, DVI-I/DP interface, 1 x PCIe x 1 + 1 x PCI, DC12~24V power input
PC6960-PCI-67-4G-128G	CPU:Intel® Core™ 6th i7-6700, RAM: 4G, mSATA: 128G; 2xCOM (RS232/485 BIOS switchable) , 2 x LAN, 4 x USB3.0, DVI-I/DP interface, 1 x PCIe x 1 + 1 x PCI, DC12~24V power input
PC6960-PCI-71-4G-128G	CPU:Intel® Core™ 7th i3-7100, RAM: 4G, mSATA: 128G; 2xCOM (RS232/485 BIOS switchable) , 2 x LAN, 4 x USB3.0, DVI-I/DP interface, 1 x PCIe x 1 + 1 x PCI, DC12~24V power input
PC6960-PCI-75-4G-128G	CPU:Intel® Core™ 7th i5-7500, RAM: 4G, mSATA: 128G; 2xCOM (RS232/485 BIOS switchable) , 2 x LAN, 4 x USB3.0, DVI-I/DP interface, 1 x PCIe x 1 + 1 x PCI, DC12~24V power input
PC6960-PCI-77-4G-128G	CPU:Intel® Core™ 7th i7-7700, RAM: 4G, mSATA: 128G; 2xCOM (RS232/485 BIOS switchable) , 2 x LAN, 4 x USB3.0, DVI-I/DP interface, 1 x PCIe x 1 + 1 x PCI, DC12~24V power input

Optional Accessories

Optional Accessories	Description
CPU	Intel® Pentium G4400
	Intel® Core™ 6th i3-6100, i5-6400, i5-6500, i7-6700 i3-6100T, i5-6400T, i5-6500T, i7-6700T
	Intel® Core™ 7th i3-7100, i5-7500, i7-7700, i3-7100T, i5-7100T, i7-7700T
DDR4 memory	DDR4-2400MHz, 4GB, 8GB, 16GB, 32GB
SSD	mSATA, 64GB, 128GB, 256GB, 512GB, 1TB
WIFI sets	miniPCIe, WIFI sets, (7260HMWBN) cylindrical antenna
4G set/EC203G module	miniPCIe