

Powerful. Beautiful.

Excellence · Innovation

IPC22150EX



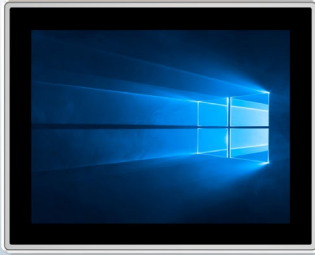
Shanghai Panelmate Electronics Co., Ltd.

15" XGA Industrial ATEX-Ex Panel PC

PanelMate's ATEX products have passed
ATEX EU explosion-proof certification



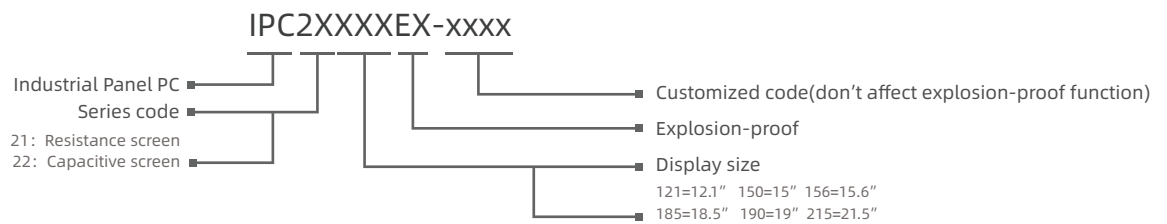
PANELMATE
Creative HMI Solution



Features

- Passed the ATEX-Ex EU protection certificate
- Display size: 12.1",15",15.6",18.5",19",21.5"
- Front panel/back cover: Aluminium-magnesium alloy
- Front panel/Rear: IP65 / IP65
- Screen Type: Multi-point capacitive touchscreen
- OS: WinXP, Win7, Win10/Win11, WinCE, Linux
- Equipped with 2xIntel i210AT Gigabit network cards, 4xUSB ports
- Processor: Intel Celeron J6412 (don't support Win XP, Win7) /3855U/3865U and Intel skylake i3/i5/i7 multiple CPU optional
- Extendable WIFI/4G
- DC 9~36V

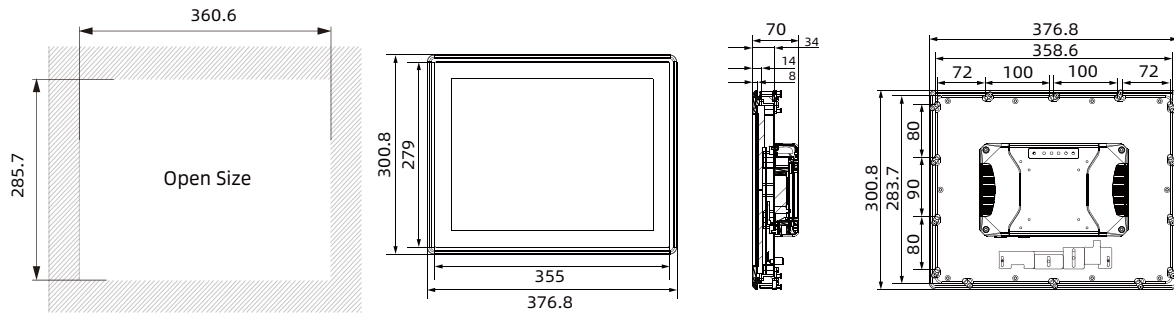
Namely Rule



Specifications

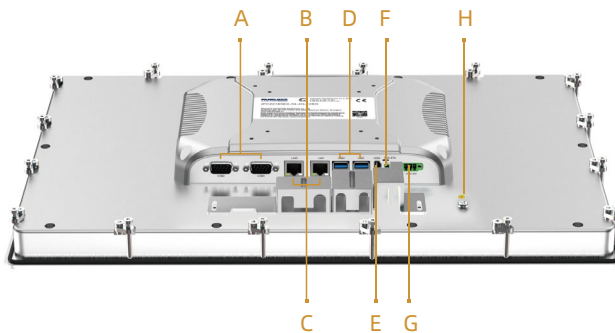
Model	IPC22150EX					
Processor	CPU	Intel®Celeron® processor J6412	Intel®Celeron® processor 3855U/3865	Intel®Core™i3 processor	Intel®Core™i5 processor	Intel®Core™i7 processor
	Frequency	Quad Core 2.0GHZ	Dual Core 1.6GHZ	Dual Core 2.3GHZ	Dual Core 2.8GHZ	Dual Core 3.1GHZ
	Cache	1.5MB	2MB	3MB	3MB	4MB
	Memory	DDR4 3200MT/s Max: 32GB	DDR4-1866/2133 Max: 32GB	DDR4-2133 Max: 32GB	DDR4-2133 Max: 32GB	DDR4-2133 Max: 32GB
Storage	1x2.5" SATA 3.0+1 x mSATA					
I/O	Network (LAN)	2xRS232/RS485 with surge protection, RS485 support automatic flow control				
	Audio	1xMin-Pcie X1, Support 4G LTE/WIFI/BT with Sim card slot				
	USB	4xUSB3.0				
	COM	2xRS232/RS485 with surge protection, RS485 support automatic flow control				
	Expansion Slot	1xMin-Pcie X1, Support 4G LTE/WIFI/BT with Sim card slot				
Routine	Product Attribute	Built-in aluminium magnesium explosion-proof control panel PC				
	Housing	Front panel & back cover:Aluminium-magnesium alloy				
	Mounting	Embedded, VESA 100 with waterproof nut				
Power	Rear I/O	HDMI				
	Input Voltage	DC 9~36V input				
Physical	Power	36W				
	Dimension (WxHxD)	376.8mm x 300.8mm x 70mm (14.83" x 11.84" x 2.76")				
	Open Size (WxH)	360.6mm x 285.7mm (14.20" x 11.25")				
	Net Weight(kg)	5.6kg				
LED	Display Type	15" XGA TFT				
	Resolution	1024 x 768				
	Colors	16.7M				
	Active Area (WxH)	304.1mm x 228.1mm (11.97" x 8.98")				
	Backlight	LED				
	MTBF (hour)	50000hrs				
	Pixel Pitch (HxV)	0.297 x 0.297				
	Luminance(cd/m2)	420cd/m2				
Touchscreen	Contrast Ratio	800:1				
	Viewing Angle	(L)80 / (R)80 / (U)80 / (D)80				
	Touch Type	Multi-point capacitive touchscreen				
	Light Transmission	>85%				
	Controller	USB interface				
	Driver Support	Windows XP, Windows 7, Windows 10/11, Linux, CE				
	Multi-touch	10 points				
Environment	Surface Hardness	Capacitive touchscreen: Mohs' Number 7H				
	Operating Temperature	0~55°C				
	Storage Temperature	-20~60°C				
	Relative Humidity	5~95% (Non condensation)				
	Shock	Operating 10G peak acceleration(11 ms duration), follow IEC 60068-2-27				
	Vibration	Operating Random Vibration Test 5~500Hz, 1Grms@with HDD;2Grms@with SSD, follow IEC 60068-2-64				
Certification	EMC	CE/FCC Class A				
	Protection	All IP65 waterproof and dustproof				
		II 3 G Ex ec IIC T4 Gc				
		II 3 D Ex tc IIIC T135°C Dc				
	EN 60079-0:2018					
	EN 60079-7:2015					
	EN 60079-31:2014					

Technical Drawings unit: mm



Panel Cutout Dimensions: 360.6 x 285.7mm (14.20 x 11.25in)

External I/O View



Interface definition:

- A: 2 x COM (RS232/RS485)
- B: Audio output
- C: 2 x LAN
- D: 4 x USB
- E: 1 x HDMI
- F: Power switch
- G: DC IN
- H: GND

Ordering Information

Part Number	Description
IPC22150EX	15" TFT LCD / ATEX Capacitive touch panel PC / DC9~36V Input / Resolution 1024x768 / J6412 / 4G RAM / 128G mSATA / 2xLAN / 4xUSB / 1xHDMI

Optional Accessories

mSATA	128G / 256G / 512G / 1T
2.5" HDD	512G / 1T / 2T
RAM	4G / 8G / 16G / 32G

Packing List

Terminal	2-pin terminal
Terminal	3-pin terminal

Note: Package contents are subject to change without prior notice