

Powerful. Beautiful.

Excellence · Innovation

IDD22190EX-R2



Shanghai Panelmate Electronics Co., Ltd.

19" SXGA Industrial ATEX Monitor

PanelMate's ATEX products have passed
ATEX EU explosion-proof certification



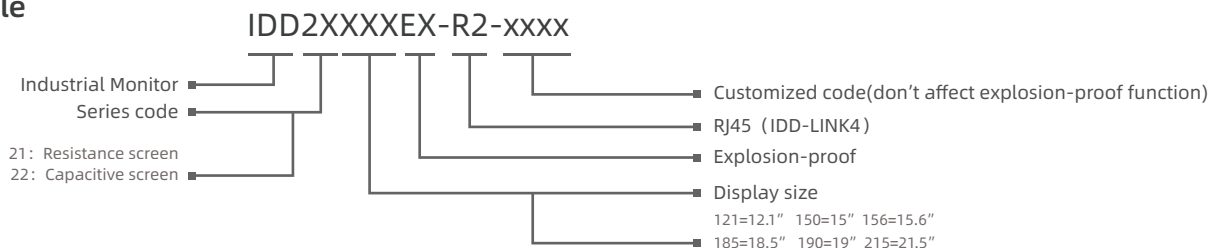
PANELMATE
Creative HMI Solution



Features

- Passed the ATEX-Ex EU protection certificate
- Display size: 12.1",15",15.6",18.5",19",21.5"
- Front panel/back cover: Aluminium-magnesium alloy
- Front panel/Rear: IP65 / IP65
- Screen Type: Multi-point capacitive touchscreen
- OS: WinXP, Win7, Win10/Win11, WinCE, Linux
- Add IDD-LINK4 ports for video and touch signal
- DC 24V

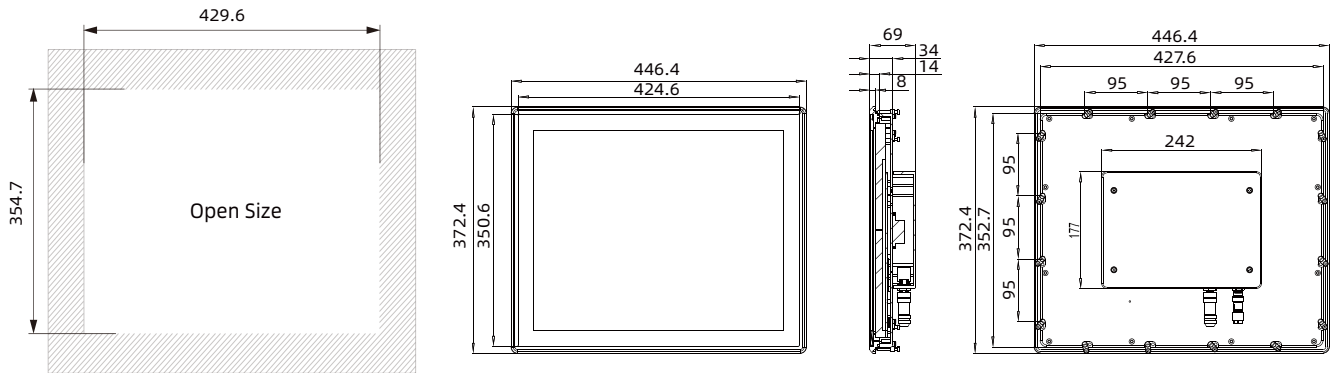
Namely Rule



Specifications

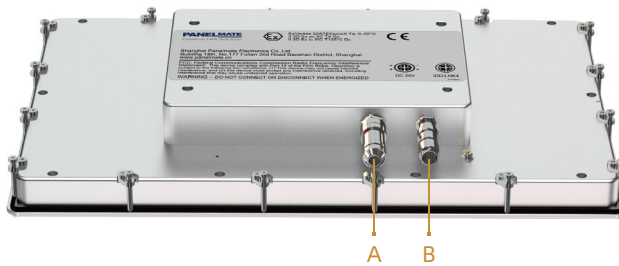
Model	IDD21190EX-R2&IDD22190EX-R2	
Routine	Product Attribute	Built-in aluminium magnesium explosion-proof control display
	Housing	Front panel & back cover:Aluminium-magnesium alloy
	Mounting	Embedded, VESA 100 with waterproof nut
	Rear I/O	1 × M12 4pin DC power supply; 1 × M12 8pin IDD-LINK4
Power	Input Voltage	DC 24V input
	Power	24W
Physical	Dimension (WxHxD/mm)	446.4 x 372.4 x 69 (17.57" x 14.66" x 2.72")
	Open Size (WxH/mm)	429.6 x 354.7 (16.91" x 13.96")
	Net Weight(kg)	7.05kg
LED	Display type	19" SXGA TFT
	Resolution	1280 x 1024
	Colors	16.7M
	Active Area (WxH/mm)	376.32 x 301.06 (14.82" x 11.85")
	Backlight	LED
	MTBF(Hour)	30000hrs
	Pixel Pitch (HxV)	0.294 x 0.294
	Luminance(cd/m2)	250cd/m2
	Contrast Ratio	1000: 1
Viewing Angle	(L)85 / (R)85 / (U)80 / (D)80	
Touchscreen	Touch Type	Multi-point capacitive touchscreen
	Light Transmission	>85%
	Controller	USB interface
	Driver Support	Windows XP, Windows 7, Windows 8, Windows 10/11, Linux, CE
	Multi-touch	10 point
	Surface Hardness	Capacitive touchscreen: Mohs' Number 7H
Environment	Operating Temperature	0 ~ 55°C
	Storage Temperature	-20 ~ 60°C
	Relative Humidity	5 ~ 95% (Non condensation)
	Shock	Operating 10G peak acceleration(11 ms duration), follow IEC 60068-2-27
	Vibration	Operating Random Vibration Test 5~500Hz,1Grms@with HDD;2Grms@with SSD, follow IEC 60068-2-64
	EMC	CE/FCC Class A
	Protection	All IP65 waterproof and dustproof
Certification		II 3 G Ex ec IIC T4 Gc
		II 3 D Ex tc IIIC T135°C Dc
		EN 60079-0:2018
		EN 60079-7:2015
		EN 60079-31:2014

Technical Drawings unit: mm



Panel Cutout Dimensions: 429.6 x 354.7mm (16.91 x 13.96in)

External I/O View



Interface definition:

- A: 1 × M12 4pin A-code DC power supply
- B: 1 × M12 8pin X-code IDD-LINK4

Ordering Information

Part Number	Description
IDD22190EX-R2	19" TFT LCD / ATEX Capacitive touch screen / DC 24V Input / Resolution 1280x1024

Optional Accessories

M12 to RJ45	5m / 10m / 15m / 20m
IDD-LINK4-T	1

Packing List

Cable	1x M12 to RJ45 (IDD-LINK4) 3m cable
Power input connector	1x M12 to 4pin power input connector

Note: Package contents are subject to change without prior notice