

Powerful. Beautiful.

Excellence · Innovation

IDD21104

IDD22104

IDD24104



Shanghai Panelmate Electronics Co., Ltd.

10.4" SVGA Industrial Monitor

PANELMATE
Creative HMI Solution

IDD21104 & IDD22104 & IDD24104

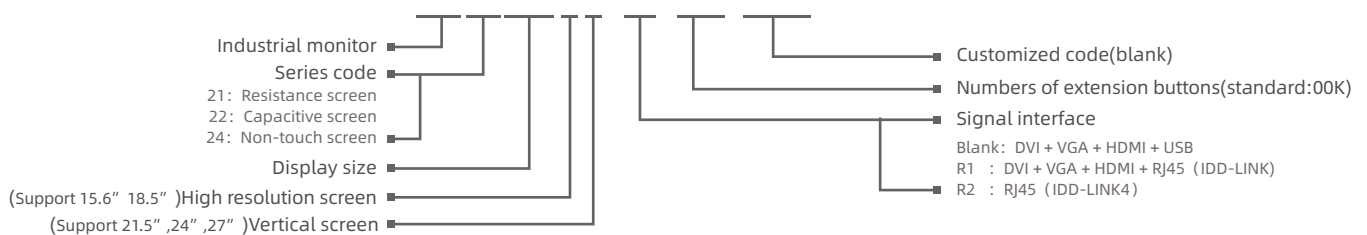


Features

- Display type: 10.1",10.4",12.1",12.2",15",15.6",17",18.5",19",21.5",24",27"
- Front panel/back cover: Aluminium-magnesium alloy
- Front panel/Rear: IP65 / IP20
- Screen Type: Single point resistive touchscreen, Multi-point capacitive touchscreen, Non-touch screen
- OS:Win XP, Win7,Win10/Win11, Win CE, LINUX
- Interface: DVI, HDMI, VGA video interface, 2xUSB
- DC 9~36V wide volts range
- R1(IDD-LINK),Long distance USB signal output, support 50m
- R2(IDD-LINK4),Video and USB are transmitted via a single CAT6 network cable, Transmission distance up to 100m

Namely Rule

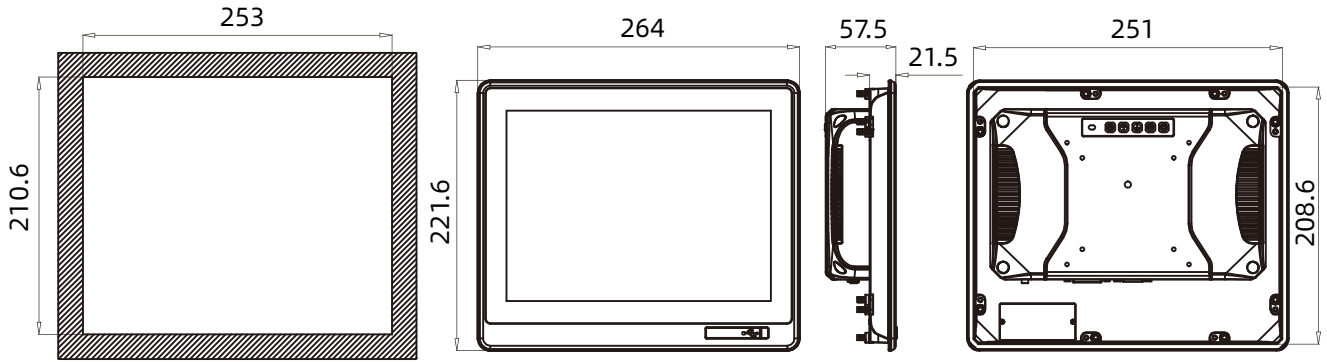
IDD2XXXXHP-R1-xxK-xxxx



Specifications

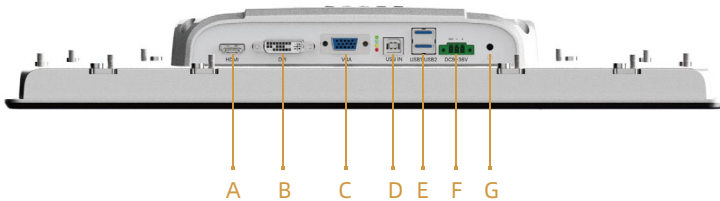
Model	IDD21104&IDD22104&IDD24104	
Routine	Control button	Set contrast ratio and luminance via OSD at the back cover
	Housing	Front panel & back cover:Aluminium-magnesium alloy,Grounding isolation protection
	Mounting	Embedded,Wall-mounted,VESA ,Desktop
	Rear I/O	VGA & DVI & HDMI & USB
Power	Input Voltage	DC 9~36V
	Power	5W
Physical	Dimension (WxHxD/mm)	264 x 221.6 x 57.5 (10.39" x 8.72" x 2.26")
	Open Size (WxH/mm)	253 x 210.6 (9.96" x 8.29")
	Net Weight(kg)	2.1
LCD	Display type	10.4" SVGA TFT
	Resolution	800 x 600
	Colors	16.7M
	Active Area (WxH/mm)	211.2 x 158.4 (8.31" x 6.24")
	Backlight	LED
	MTBF(Hour)	30000hrs
	Pixel Pitch (HxV)	0.2063x0.2063
	Luminance(cd/m2)	350
	Contrast Ratio	900:1
Viewing Angle	(L)75 / (R)75 / (U)75 / (D)75	
Touchscreen	Touch Type	Single point resistive touchscreen & Multi-point capacitive touchscreen & Non-touch screen
	Light Transmission	>85%
	Controller	USB interface
	Driver Support	Windows XP, Windows 7, Windows 8, Windows 10/11, Linux, CE
	Multi-touch	10 points
	Surface Hardness	Resistive touchscreen: Mohs' Number >= 3H;Capacitive touchscreen: Mohs' Number 7H
Environment	Operating Temperature	-20 ~ 70°C
	Storage Temperature	-20 ~ 70°C
	Relative Humidity	5 ~ 95% (Non condensation)
	Shock	Operating 10G peak acceleration(11 ms duration), follow IEC 60068-2-27
	Vibration	Operating Random Vibration Test 5~500Hz,1Grms@with HDD;2Grms@with SSD, follow IEC 60068-2-64
	EMC	CE/FCC Class A
	Front Panel Protection	Front panel IP65 compliant

Technical Drawings unit:mm



Panel Cutout Dimensions: 253 x 210.6mm (9.96 x 8.29in)

External I/O View



Interface definition:

- A: HDMI
- B: DVI
- C: VGA
- D: USB input
- E: USB output
- F: DC 9~36V
- G: GND

Ordering Information

Part Number	Description
IDD21104	10.4" TFT LCD / Resistive touch screen / DC9~36V Input / Resolution 800x600
IDD22104	10.4" TFT LCD / Capacitive touch screen / DC9~36V Input / Resolution 800x600
IDD24104	10.4" TFT LCD / Non-touch screen / DC9~36V Input / Resolution 800x600

Optional Accessories

VGA	VGA 3m / 5m
DVI	DVI 3m / 5m / 8m / 10m
USB	USB 3m / 5m / 10m
HDMI	HDMI 3m / 5m / 10m

Packing List

Terminals	3pin spring clamp terminal
-----------	----------------------------

Note: Package contents are subject to change without prior notice